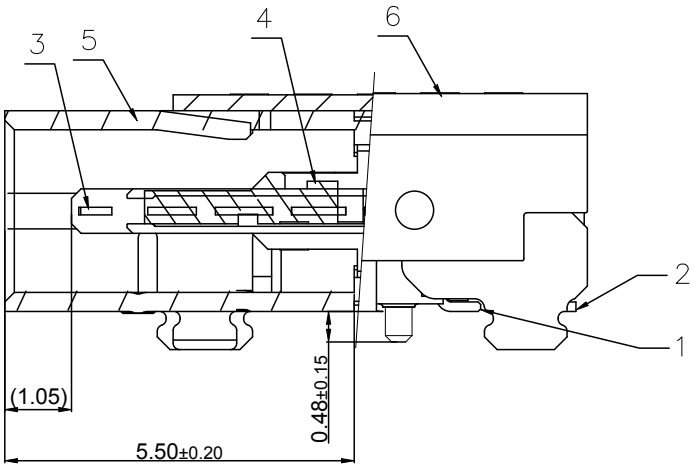
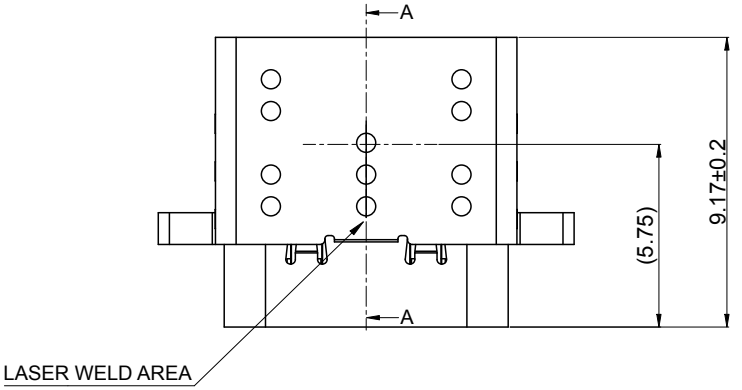
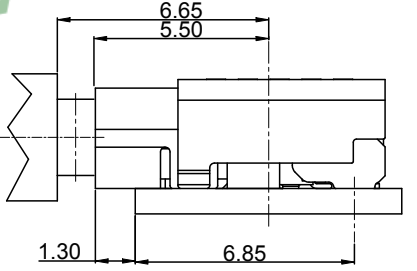
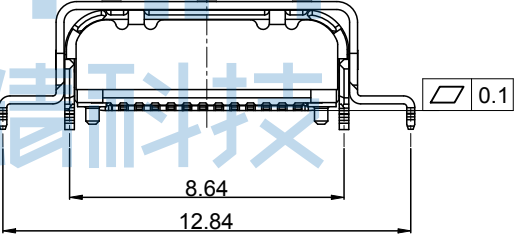
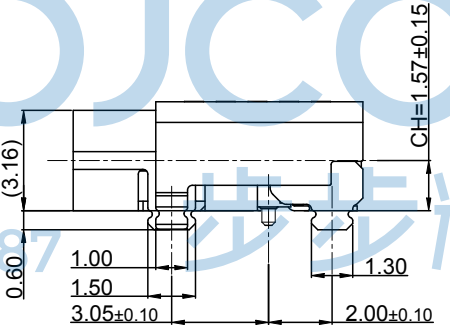
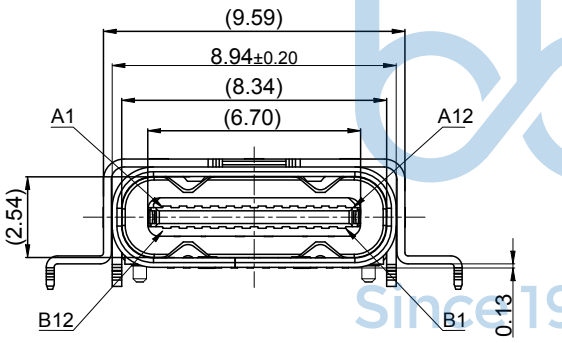


REV.	ECN NO	CONTENT	DATE	ENGINEER
A0		Initial release	/	TSP

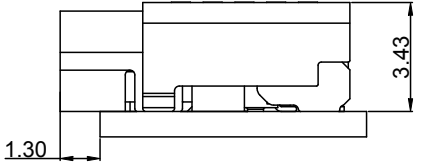
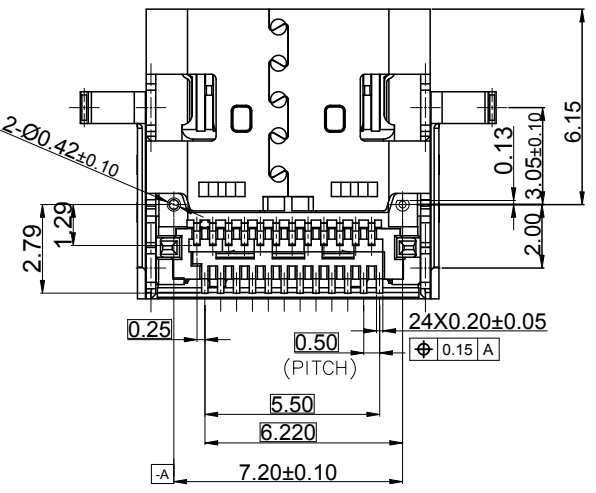
- NOTES/注释:
- MATERIAL/材料: SEE TABLE/见下表
 - GENERAL SPECIFICATION/通用特性:
 - COPLANARITY/共面度: 0.10 Max.
 - CURRENT RATING: 5A/ 额定电流: 5安培
 - CONTACT RESISTANCE: 40mΩ MAX (INITIAL).
INSULATION RESISTANCE: 100MΩ Min
接触电阻: 40毫欧最大(初始值) / 绝缘电阻: 100MΩ Min
 - DIELECTRIC WITHSTANDING VOLTAGE: 100 VAC
耐压: 100伏交流
 - MECHANICAL CHARACTERISTICS:
INSERTION FORCE: 5~20N EXTRACTION FORCE: 8~20N
AFTER DURABILITY EXTRACTION FORCE: 6~20N
力学特性: 初始插入力: 5~20N 拔出力: 8~20N
耐久后拔出力: 6~20N



SECTION A-A(剖视图A-A)
SCALE 2:1 (比例 2:1)



MATED CONDITION(REF.)



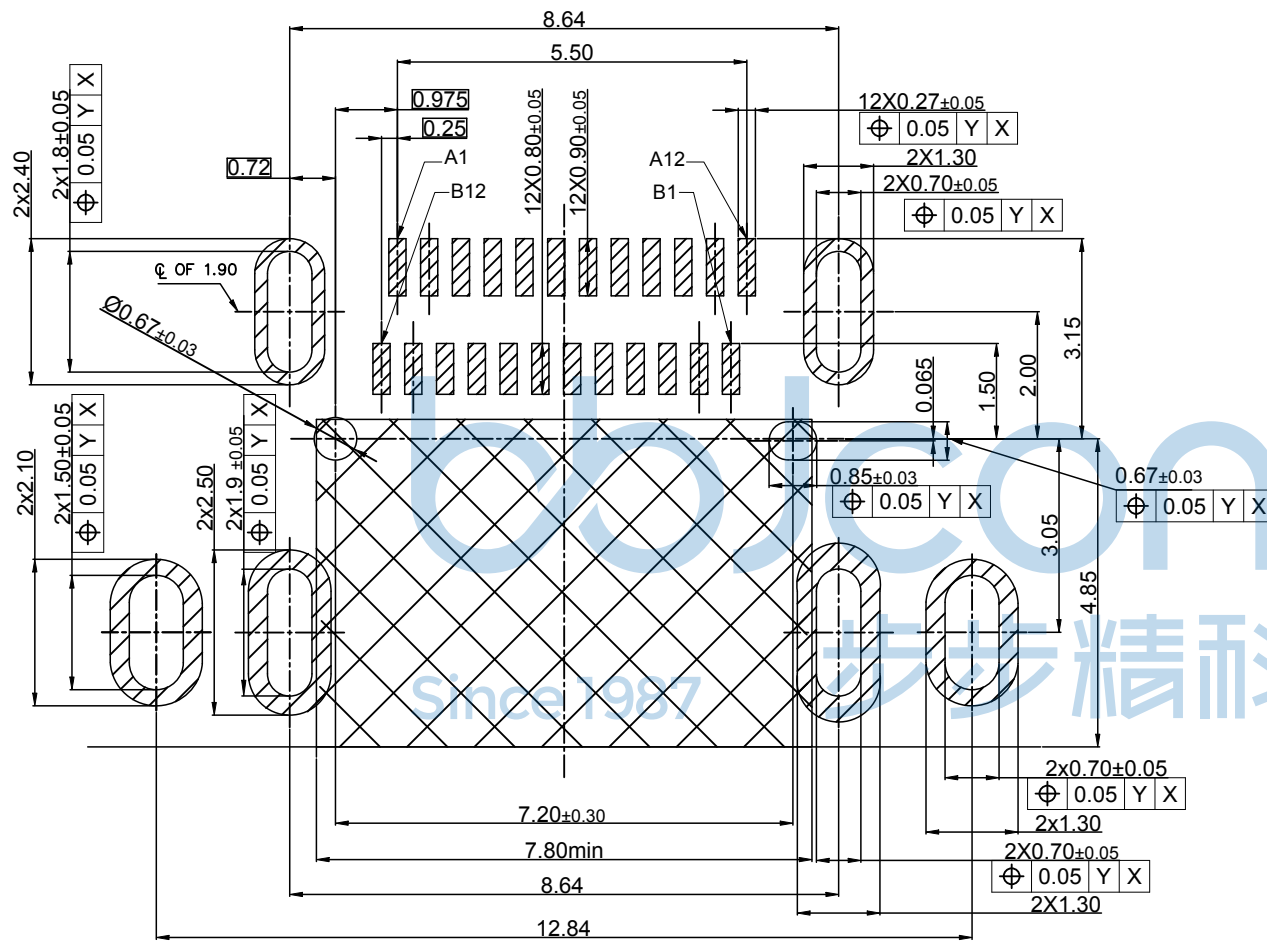
MOUNTING CONDITION(REF.)

Pin定义:

A1	A2	A3	A4	A5	A6	A7	A8	A9	A10	A11	A12
GND	TX1+	TX1-	Vbus	CC1	D+	D-	SBU1	Vbus	RX2-	RX2+	GND
GND	RX1+	RX1-	Vbus	SBU2	D-	D+	CC2	Vbus	TX2-	TX2+	GND
B12	B11	B10	B9	B8	B7	B6	B5	B4	B3	B2	B1



THIS DOCUMENT IS THE SOLE PROPERTY OF BBJconn Technology Co.,Ltd. Corporation AND SHOULD NOT BE USED IN WHOLE OR IN PART WITHOUT PRIOR WRITTEN PERMISSION. PDWG.NO: 0470-1	深圳市步步精科技有限公司 .X: ±0.38 .X': ±3' .XX: ±0.25 .X'': ±2' .XXX: ±0.13 .XX': ±1'		NAME: USB 4.0 TYPE-C 24P 母座 有后盖 双壳 六脚插 带柱 端子双排SMT 外壳脚长0.60 沉板0.13 L=9.17 CH=1.57 编带	
			PJ. NO.: 126-223-240007-U4G	
	APPD. JM_Zheng	SIZE: A4 DRW NO.:		
	CHKD. LYX	FINISH: SEE NOTES MAT'L.: SEE NOTES		
DR. TSP	SCALE: N/A	REV.: A0	UNIT: mm	PAGE: 1/3



Recommended PCB Layout (Top View) / 推荐的PCB布局 (前视图)
General Tolerances: ±0.05 / 一般公差: ±0.05

ITEM	DESCRIPTION	QTY	MATERIAL	FINISH	REMARK
6	OUT SHELL	1	SUS304	30U" NICKEL PLATING	0.25mm
5	INT SHELL	1	SUS304	30U" NICKEL PLATING	0.3mm
4	MAIN HOUSING	1	HIGH TEMPERATURE	PA9T BLACK	UL94V-0
3	MID PLATE	1	SUS301	RINSE	0.15mm
2	BOTTOM TERMINAL	1	COPPER ALLOY	MATING SIDE: Au1u"; SOLDER TAIL: GOLD FLASH, 50u" NICKEL OVERALL.	0.12mm
1	TOP TERMINAL	1	COPPER ALLOY		0.12mm

THIS DOCUMENT IS THE
SOLE PROPERTY OF
BBJconn Technology Co., Ltd.
Corporation AND SHOULD
NOT BE USED IN WHOLE
OR IN PART WITHOUT
PRIOR WRITTEN PERMISSION.
PDWG.NO: 0470-1

深圳市步步精科技有限公司

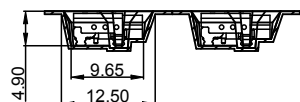
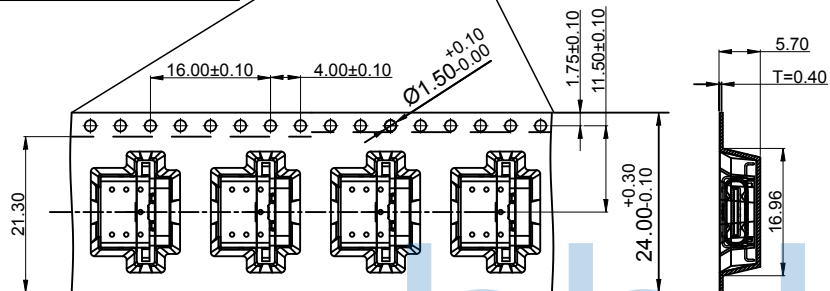
NAME: USB 4.0 TYPE-C 24P 母座 有后盖 双壳 六脚插 带柱
端子双排SMT 外壳脚长:0.60 沉板:0.13 L=9.17 CH=1.57 编带

APPD. JM_Zheng
CHKD. LYX
DR. TSP

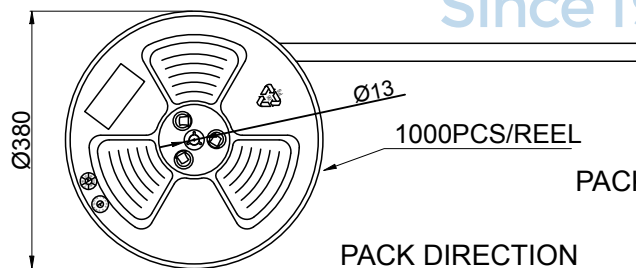
PJ. NO.: 126-223-240007-U4G
SIZE: A4 | DRW NO.:
FINISH: SEE NOTES | MAT'L.: SEE NOTES
SCALE: N/A | REV.: A0 | UNIT: mm | PAGE: 2/3

REV.	ECN NO.	CONTENT	DATE	ENGINEER
A0		Initial release	/	TSP

19PCS EMPTY 1000PCS PRODUCTS BEGINING PORTION 400mm MIN
19PCS EMPTY



CUSTOMER UNWINDING DIRECTION



PACKING: 1. 1000 PCS/REEL.
2. 10 REEL/Carton

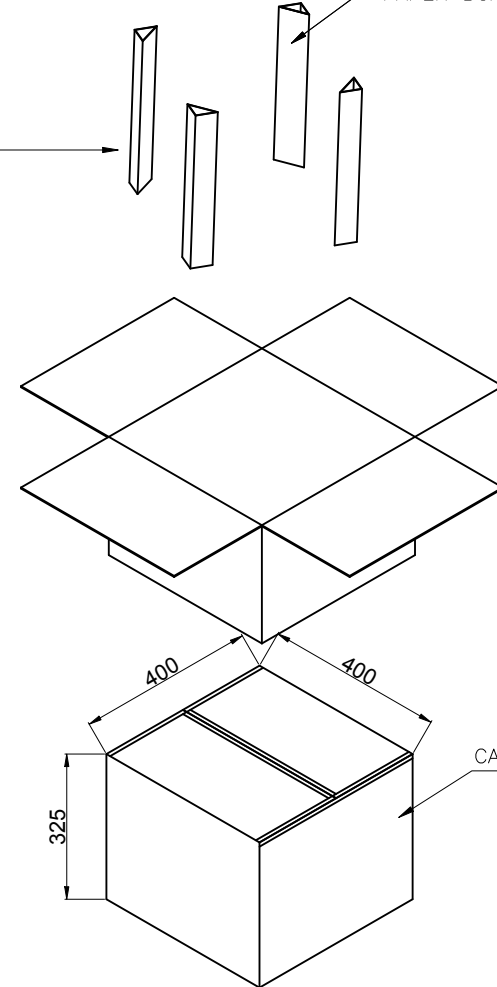
PAPER BOARD

REEL AND TAPE

REEL AND TAPE

PAPER BOARD

FOLDER
PAPER BOARD



CARTON



THIS DOCUMENT IS THE
SOLE PROPERTY OF
BBJconn Technology Co.,Ltd.
Corporation AND SHOULD
NOT BE USED IN WHOLE
OR IN PART WITHOUT
PRIOR WRITTEN PERMISSION.



深圳市步步精科技有限公司

.X: ±0.38 X': ±3'
.XX: ±0.25 X'': ±2'
.XXX: ±0.13 .XX': ±1'

NAME: USB 4.0 TYPE-C 24P 母座 有后盖 双壳 六脚插 带柱
端子双排SMT 外壳脚长0.60 沉板0.13 L=9.17 CH=1.57 编带

APPD. JM_Zheng

PJ. NO.: 126-223-240007-U4G

CHKD. LYX

SIZE: A4 DRW NO.:

PDWG.NO: 0470-1

DR. TSP

FINISH: SEE NOTES MAT'L.: SEE NOTES

SCALE: N/A REV.: A0 UNIT: mm PAGE: 3/3