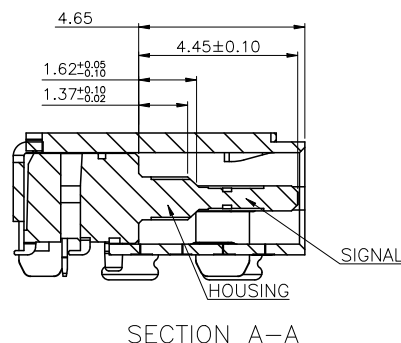
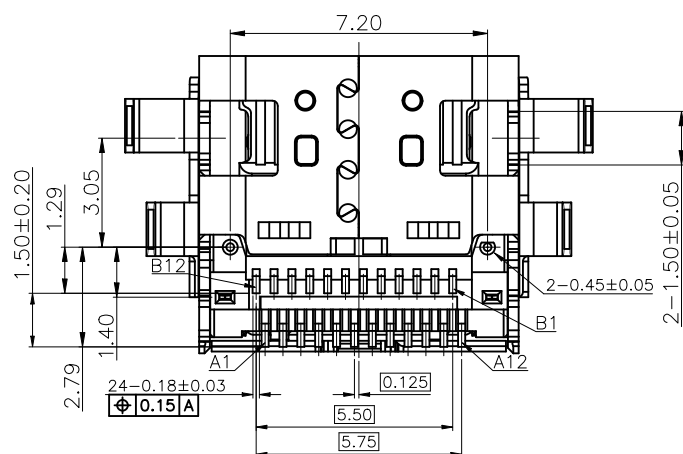
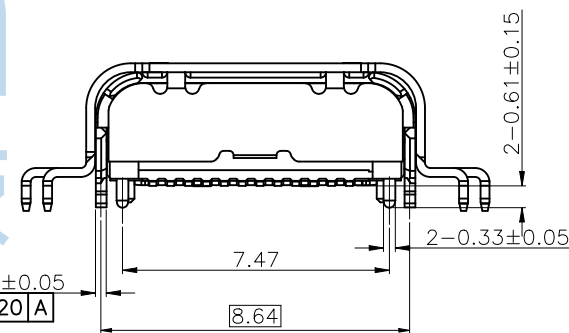
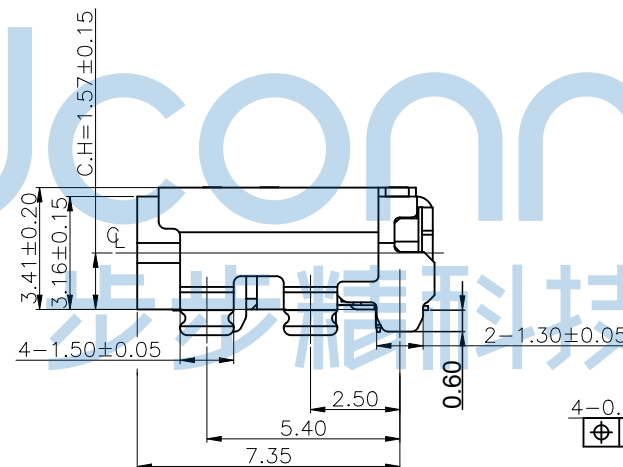
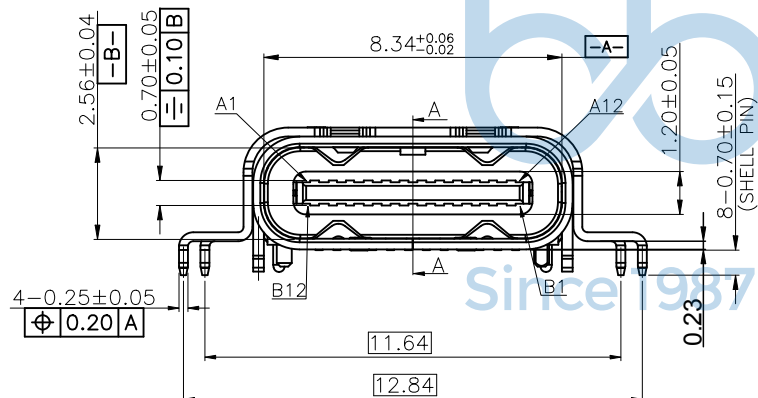
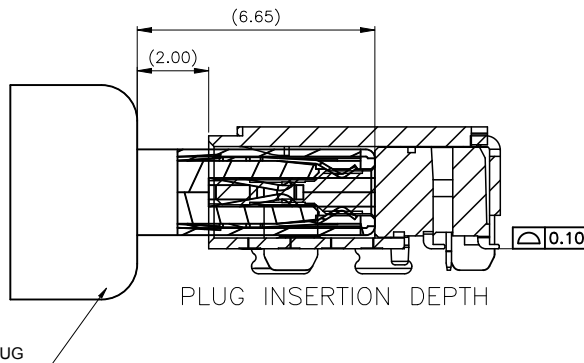
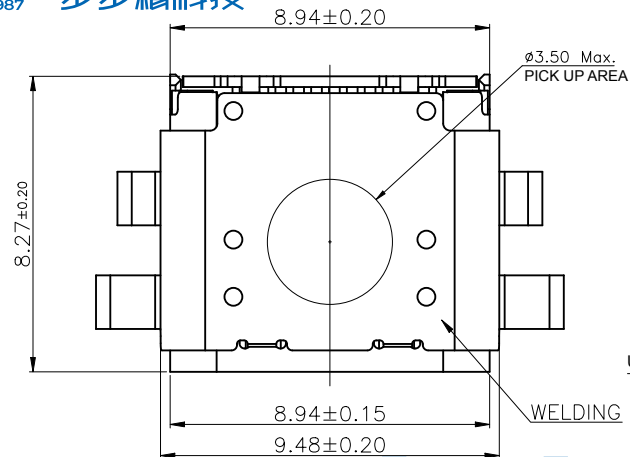


| REV. | ECN NO | CONTENT | DATE | ENGINEER |
|------|--------|-----------------|------|----------|
| A0 | | Initial release | / | TSP |



| 6 | OUT SHELL | 1 | SUS304 | 30U" NICKEL PLATING | 0.25mm |
|------|-----------------|------|------------------|---|---------|
| 5 | INT SHELL | 1 | SUS304 | 30U" NICKEL PLATING | 0.3mm |
| 4 | MAIN HOUSING | 1 | HIGH TEMPERATURE | PA9T BLACK | UL94V-0 |
| 3 | MID PLATE | 1 | SUS301 | 30U" NICKEL PLATING | 0.15mm |
| 2 | BOTTOM TERMINAL | 1 | COPPER ALLOY | MATING SIDE: GOLD FLASH | 0.12mm |
| 1 | TOP TERMINAL | 1 | COPPER ALLOY | SOLDER TAIL: Gold FLASH, 50u" NICKEL OVERALL. | |
| ITEM | DESCRIPTION | Q'TY | MATERIAL | FINISH | REMARK |

THIS DOCUMENT IS THE SOLE PROPERTY OF **深圳市步步精科技有限公司** (BBJconn Technology Co., Ltd.)

Corporation AND SHOULD NOT BE USED IN WHOLE OR IN PART WITHOUT PRIOR WRITTEN PERMISSION.

PDWG.NO: 0470-1

DR. TSP

NAME: USB 4.0 TYPE-C 24P 母座 有后盖 双壳 八脚插 带柱 端子双排SMT 外壳脚长0.6 沉板0.23 L=8.27 CH=1.57 编带

PJ. NO.: 126-223-240006-U4G

SIZE: A4 DRW NO.:

FINISH: SEE NOTES MAT'L.: SEE NOTES

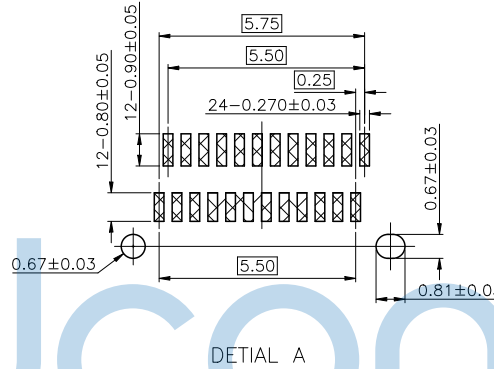
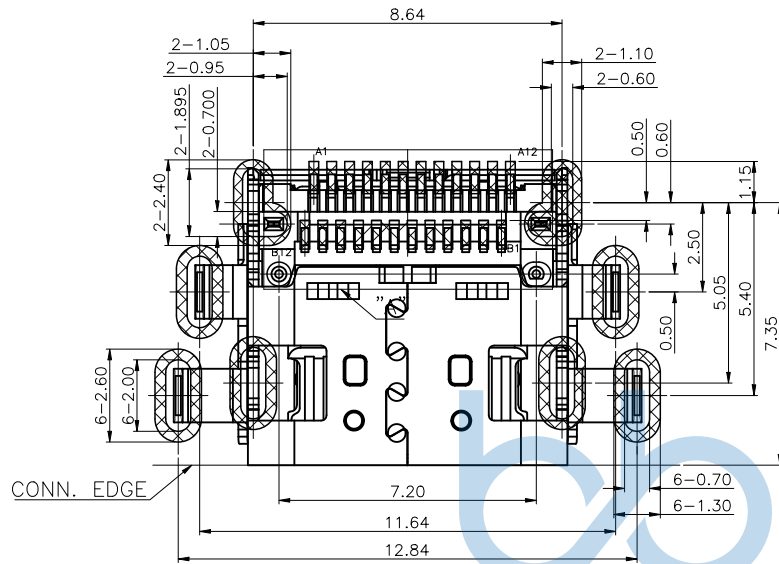
SCALE: N/A REV.: A0 UNIT: mm PAGE: 1/3



| REV. | ECN NO | CONTENT | DATE | ENGINEER |
|------|--------|-----------------|------|----------|
| A0 | | Initial release | / | TSP |

NOTES:

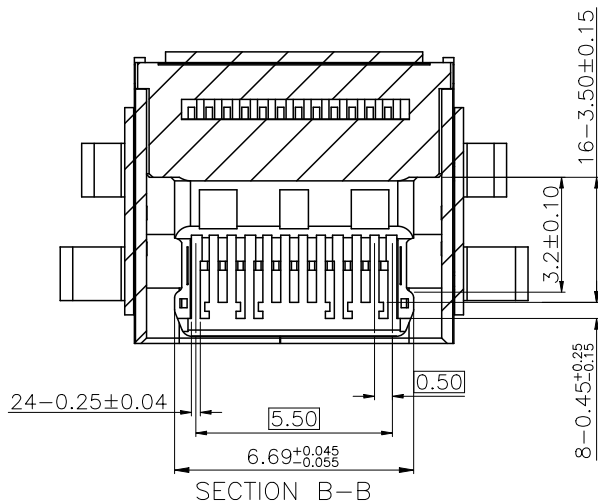
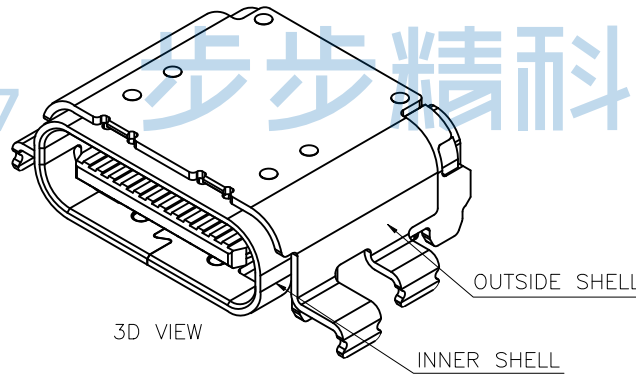
- MATERIAL:
 - OUTSIDE SHELL: SUS301R-1/2H T=0.25mm
 - INNER SHELL: SUS301R-1/2H T=0.30mm
 - SIGNAL: SUS301R-H T=0.15mm
 - HOUSING: PA9T+45%G.F. UL94V-0 BLACK
 - TERMINAL: C19400 T=0.12mm
- PLATING:
 - TERMINAL: GOLD FLASH
 - SHELL&SIGNAL: NICKEL PLATED 50u"MIN.
- ELECTRICAL CHARACTERISTICS:
 - CURRENT RATING: 5.0 A
VOLTAGE RATING: 20.0 V
 - LLCR: VBUS& GND PINS: 40mΩ/PIN MAX
OTHER PINS : 40mΩ/PIN MAX
LLCR MAX. CHANGE OF ALL PINS: 10mΩ
 - INSULATION RESISTANCE: 100MΩ MIN.
- MECHANICAL CHARACTERISTICS:
 - INSERTION FORCE: 0.5~2.0kg.
 - WITHDRAWAL FORCE: 0.8~2.0kg.(INITIAL) 0.6~2.0kg.(AFTER LIFE TEST)
- LIFE TEST: 10000 CYCLES MIN



RECOMMENDED PCB LAYOUT(TOP VIEW)
(TOLERANCE=±0.05mm THICKNESS=0.8mm)

USB TYPE-C PIN ASSIGNMENTS:

| A12 | GND | B1 | GND |
|-----|-------------|-----|-------------|
| A11 | SSRXp2 | B2 | SSTXp2 |
| A10 | SSRXn2 | B3 | SSTXn2 |
| A9 | VBUS | B4 | VBUS |
| A8 | SBU1 | B5 | CC2 |
| A7 | Dn1 | B6 | Dp2 |
| A6 | Dp1 | B7 | Dn2 |
| A5 | CC1 | B8 | SBU2 |
| A4 | VBUS | B9 | VBUS |
| A3 | SSTXn1 | B10 | SSRXn1 |
| A2 | SSTXp1 | B11 | SSRXp1 |
| A1 | GND | B12 | GND |
| PIN | SIGNAL NAME | PIN | SIGNAL NAME |



THIS DOCUMENT IS THE SOLE PROPERTY OF BBJconn Technology Co.,Ltd. Corporation AND SHOULD NOT BE USED IN WHOLE OR IN PART WITHOUT PRIOR WRITTEN PERMISSION. PDWG.NO: 0470-1

深圳市步步精科技有限公司

.X: ±0.38 X': ±3'
.XX: ±0.25 .X': ±2'
.XXX: ±0.13 .XX': ±1'

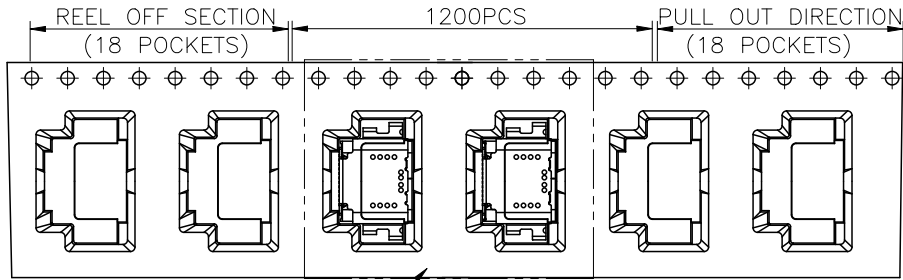
NAME: USB 4.0 TYPE-C 24P 母座 有后盖 双壳 八脚插 带柱
端子双排SMT 外壳脚长0.6 沉板0.23 L=8.27 CH=1.57 编带

APPD. JM_Zheng
CHKD. LYX
DR. TSP

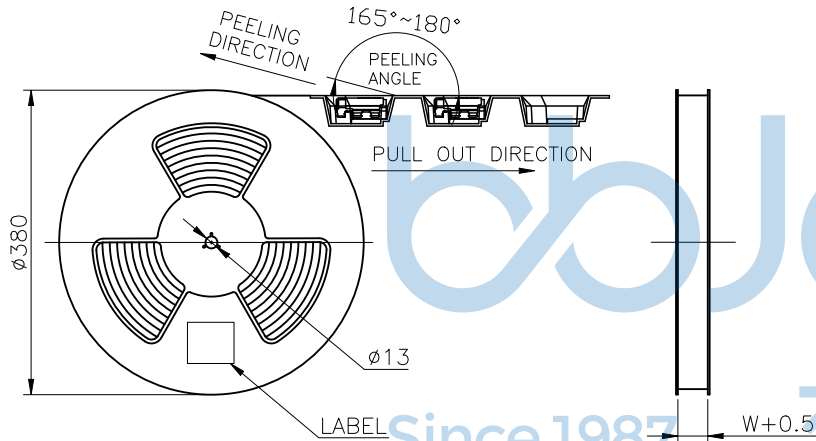
PJ. NO.: 126-223-240006-U4G
SIZE: A4 DRW NO.:
FINISH: SEE NOTES MAT'L.: SEE NOTES
SCALE: N/A REV.: A0 UNIT: mm PAGE: 2/3



| REV. | ECN NO | CONTENT | DATE | ENGINEER |
|------|--------|-----------------|------|----------|
| A0 | | Initial release | / | TSP |



SEE DETAIL X

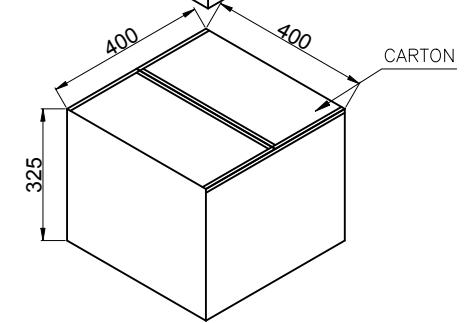
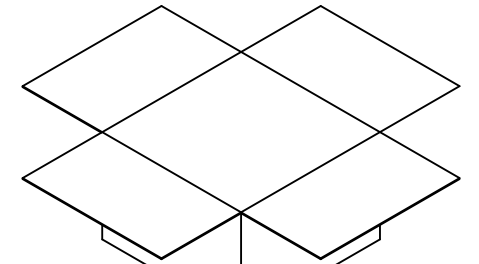
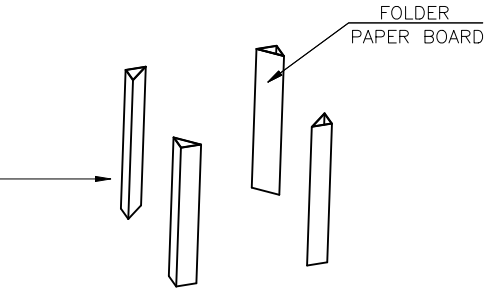


PAPER BOARD

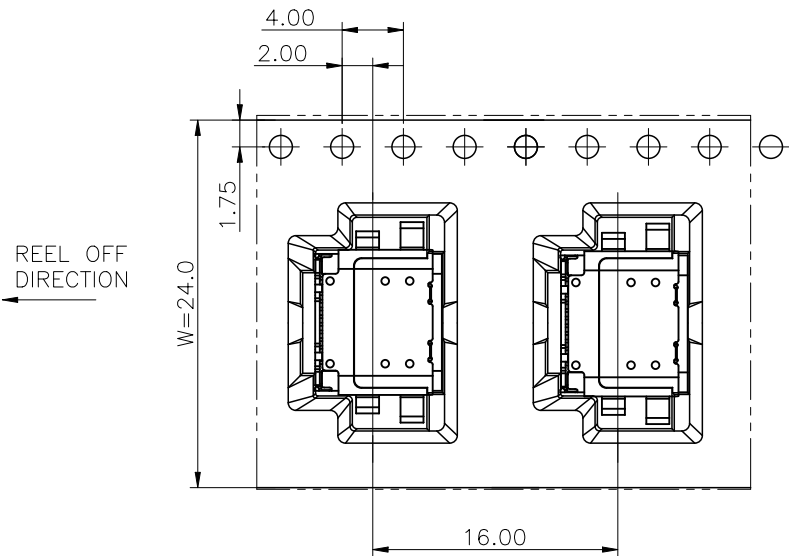
REEL AND TAPE

REEL AND TAPE

PAPER BOARD



| | | |
|-----------------|------|--------|
| | REEL | CARTON |
| CONNECTOR (PCS) | 1200 | 12000 |



THIS DOCUMENT IS THE SOLE PROPERTY OF BBJconn Technology Co.,Ltd. CORPORATION AND SHOULD NOT BE USED IN WHOLE OR IN PART WITHOUT PRIOR WRITTEN PERMISSION.
PDWG.NO: 0470-1

深圳市步步精科技有限公司

NAME: USB 4.0 TYPE-C 24P 母座 有后盖 双壳 八脚插 带柱
端子双排SMT 外壳脚长0.6 沉板0.23 L=8.27 CH=1.57 编带

| | | |
|-------|----------|---|
| APPD. | JM_Zheng | PJ. NO.: 126-223-240006-U4G SIZE: A4 DRW NO.: |
| CHKD. | LYX | |
| DR. | TSP | FINISH: SEE NOTES MAT'L.: SEE NOTES SCALE: N/A REV.: A0 UNIT: mm PAGE: 3/3 |