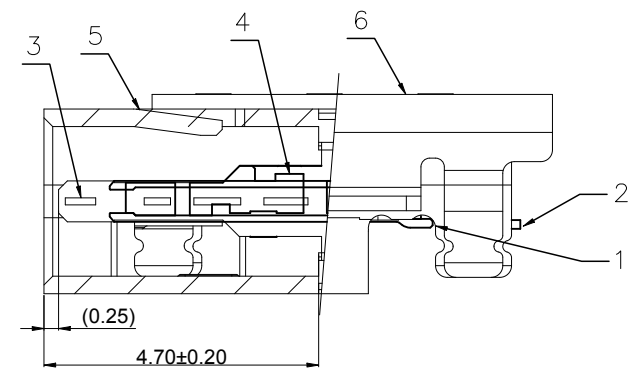
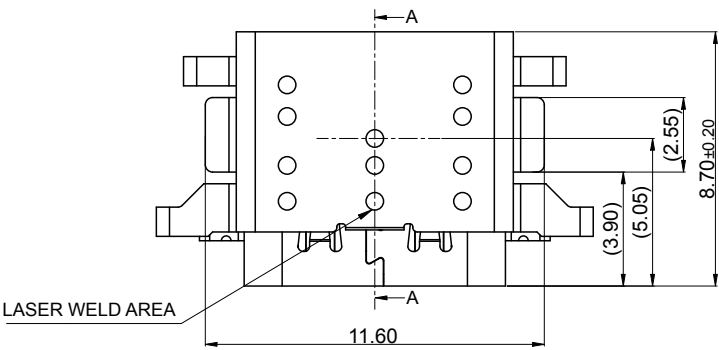


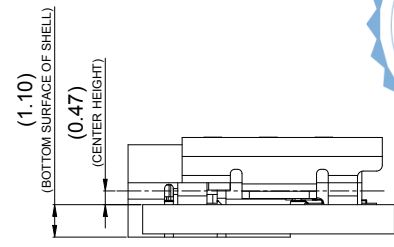
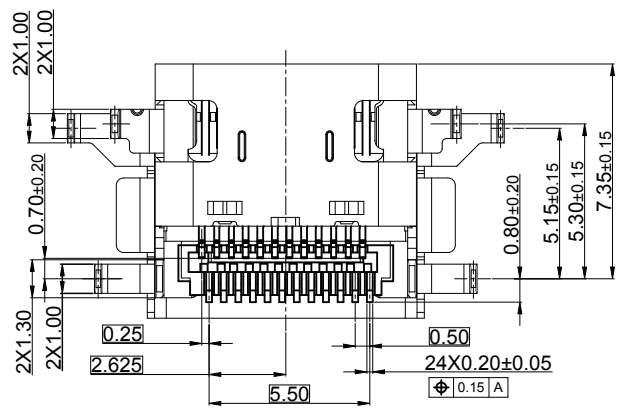
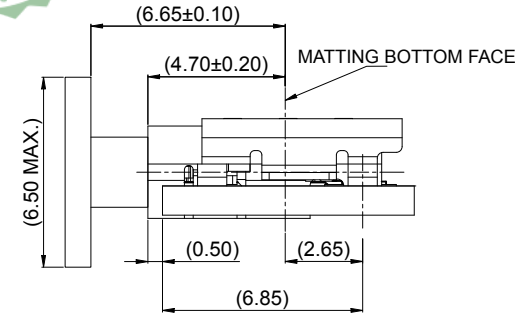
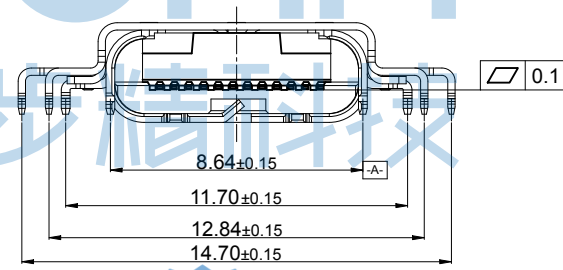
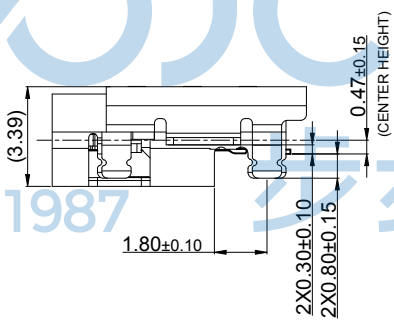
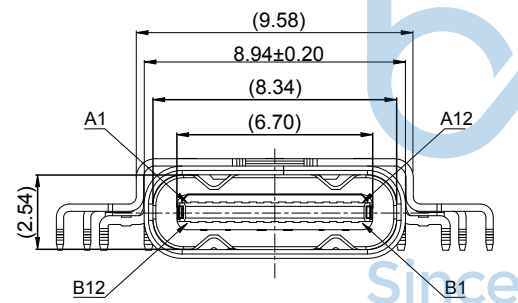
REV.	ECN NO.	CONTENT	DATE	ENGINEER
A0		Initial release	/	TSP

NOTES/注释:

- MATERIAL/材料: SEE BILL OF MATERIAL / 见材料清单
- COPLANARITY / 共面度: 0.10 Max.
- As for welding, there are possibilities that the number of welding and position change. 焊接, 也有焊接数量和位置变化的可能性.
- Discoloration might occur at welded area 焊接区域可能出现变色
- Shell length is shorter compare to reference value of USB Type-C standard. Please check mating depth with case(housing) to satisfy mechanical function. 外壳长度比USB Type-C标准的参考值更短, 请检查与外壳的配合深度, 以满足机械功能
- There is possibility that the shell discolors after heating 壳体加热后有变色的可能
- Laser welds may be discolor, also the weld may swell. 激光焊接可能会变色, 焊缝也可能膨胀



SECTION A-A(剖视图A-A)
SCALE 2:1 (比例 2:1)



Pin定义:

A1	A2	A3	A4	A5	A6	A7	A8	A9	A10	A11	A12
GND	TX1+	TX1-	Vbus	CC1	D+	D-	SBU1	Vbus	RX2-	RX2+	GND
GND	RX1+	RX1-	Vbus	SBU2	D-	D+	CC2	Vbus	TX2-	TX2+	GND
B12	B11	B10	B9	B8	B7	B6	B5	B4	B3	B2	B1

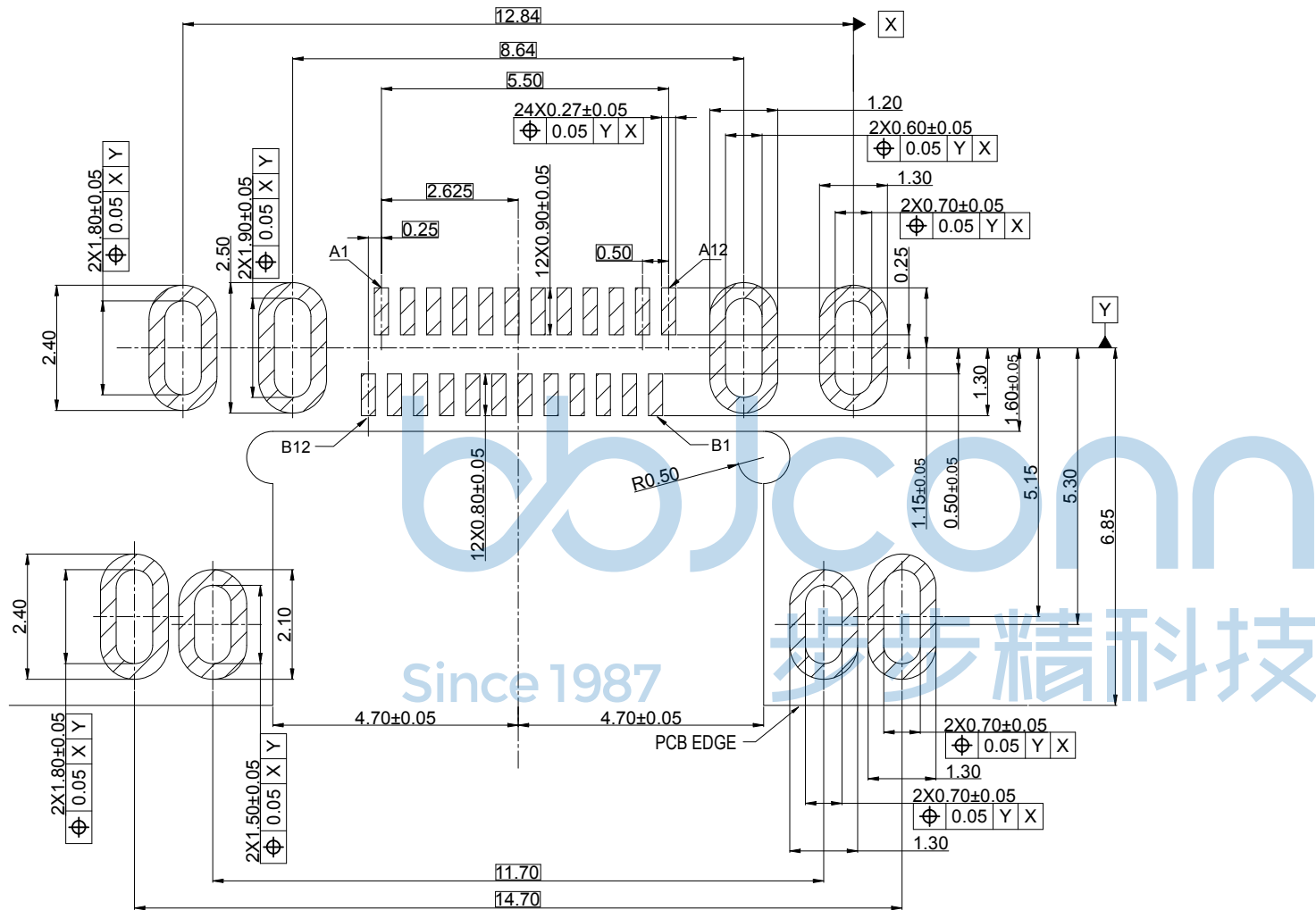
THIS DOCUMENT IS THE SOLE PROPERTY OF BBJconn Technology Co., Ltd. CORPORATION AND SHOULD NOT BE USED IN WHOLE OR IN PART WITHOUT PRIOR WRITTEN PERMISSION.
PDWG. NO: 0470-1

深圳市步步精科技有限公司

NAME: USB 4.0 TYPE-C 24P 母座 无后盖 双壳 八脚插 端子双排SMT 外壳脚长0.80 沉板1.10 L=8.70 CH=0.50 编带

PJ. NO.: 126-223-240004-U4G
SIZE: A4 | DRW NO.:
FINISH: SEE NOTES | MAT'L.: SEE NOTES
SCALE: N/A | REV.: A0 | UNIT: mm | PAGE: 1/3

APPD.	JM_Zheng
CHKD.	LYX
DR.	TSP



Recommended PCB Layout(Top View)/ 推荐的PCB布局(前视图)
General Tolerances:±0.05/ 一般公差:±0.05



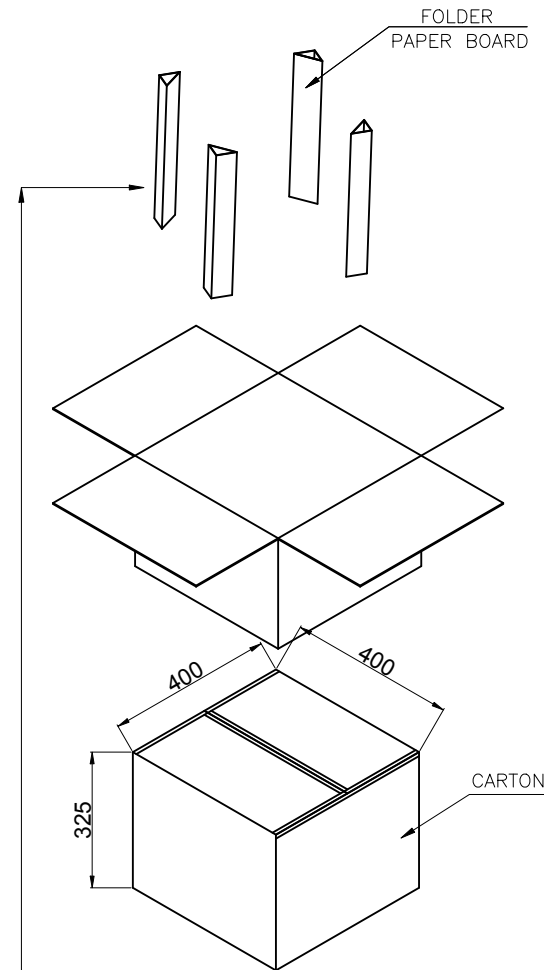
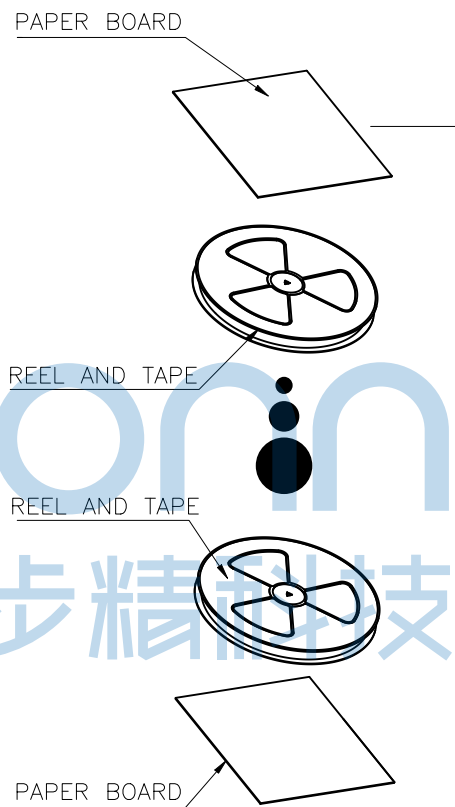
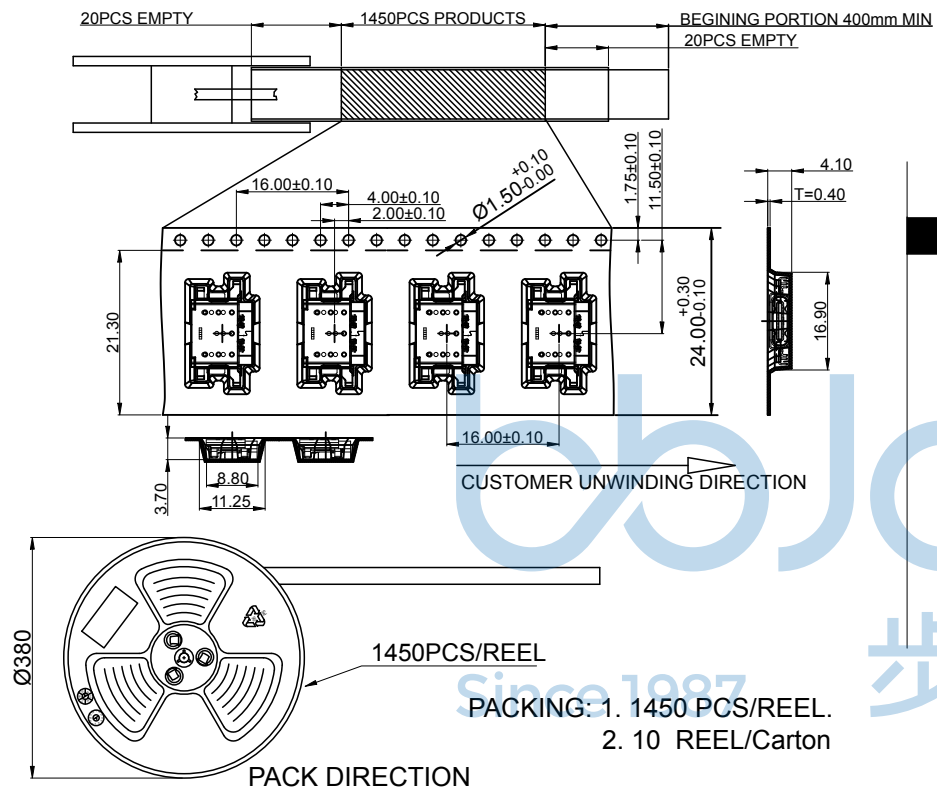
ITEM	DESCRIPTION	Q'TY	MATERIAL	FINISH	REMARK
6	OUT SHELL	1	SUS304	30U" NICKEL PLATING	0.25mm
5	INT SHELL	1	SUS304	30U" NICKEL PLATING	0.3mm
4	MAIN HOUSING	1	HIGH TEMPERATURE	PA9T BLACK	UL94V-0
3	MID PLATE	1	SUS301	RINSE	0.15mm
2	BOTTOM TERMINAL	1	COPPER ALLOY	MATING SIDE:Au1u"	0.12mm
1	TOP TERMINAL	1	COPPER ALLOY	SOLDER TAIL:Gold FLASH, 50u" NICKEL OVERALL.	

THIS DOCUMENT IS THE SOLE PROPERTY OF BBJconn Technology Co.,Ltd. Corporation AND SHOULD NOT BE USED IN WHOLE OR IN PART WITHOUT PRIOR WRITTEN PERMISSION.
PDWG:NO: 0470-1

深圳市步步精科技有限公司

.X: ±0.38	.X': ±3'	NAME: USB 4.0 TYPE-C 24P 母座 无后盖 双壳 八脚插 端子双排SMT 外壳脚长0.80 沉板1.10 L=8.70 CH=0.50 编带
.XX: ±0.25	.X': ±2'	
.XXX: ±0.13	.XX': ±1'	
APPD.	JM_Zheng	PJ. NO.: 126-223-240004-U4G
CHKD.	LYX	SIZE: A4 DRW NO.:
DR.	TSP	FINISH: SEE NOTES MAT'L.: SEE NOTES
		SCALE: N/A REV.: A0 UNIT: mm PAGE: 2/3

REV.	ECN NO.	CONTENT	DATE	ENGINEER
A0		Initial release	/	TSP



THIS DOCUMENT IS THE SOLE PROPERTY OF BBJconn Technology Co.,Ltd. Corporation AND SHOULD NOT BE USED IN WHOLE OR IN PART WITHOUT PRIOR WRITTEN PERMISSION.		深圳市步步精科技有限公司 .X: ±0.38 .X': ±3' .XX: ±0.25 .X': ±2' .XXX: ±0.13 .XX': ±1'	
APPD.	JM_Zheng	PJ. NO.: 126-223-240004-U4G SIZE: A4 DRW NO.:	NAME: USB 4.0 TYPE-C 24P 母座 无后盖 双壳 八脚插 端子双排SMT 外壳脚长0.80 沉板1.10 L=8.70 CH=0.50 编带
CHKD.	LYX		FINISH: SEE NOTES MAT'L.: SEE NOTES
PDWG.NO:	0470-1	DR.	TSP
		SCALE: N/A	REV.: A0 UNIT: mm PAGE: 3/3