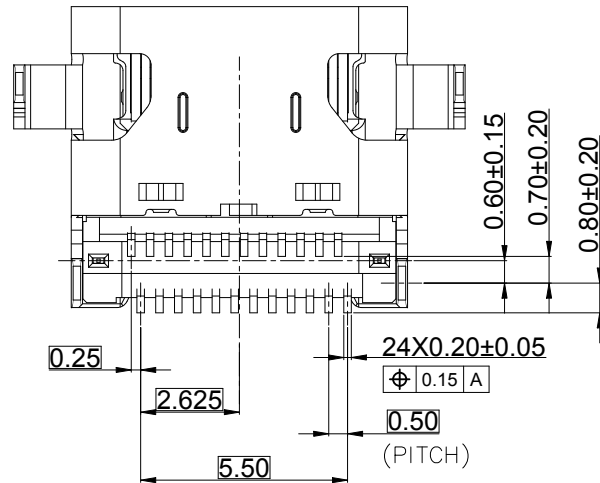
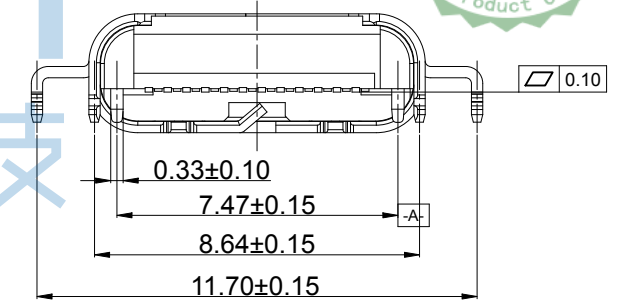
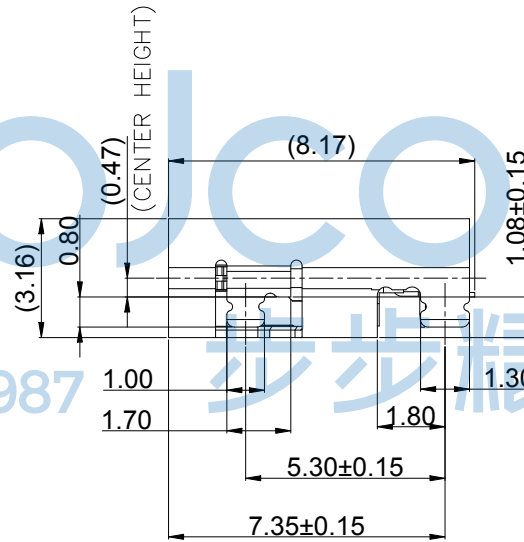
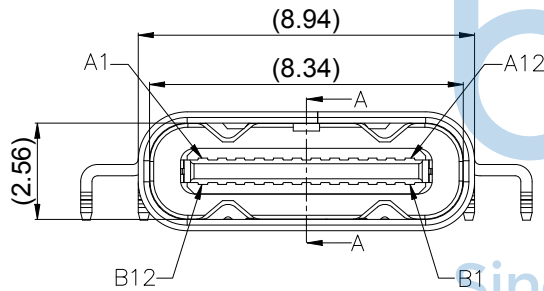
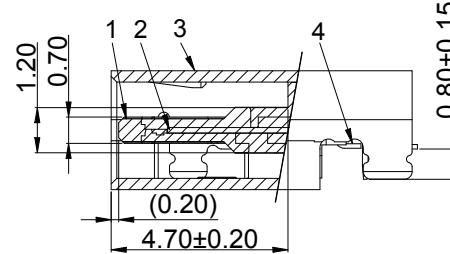
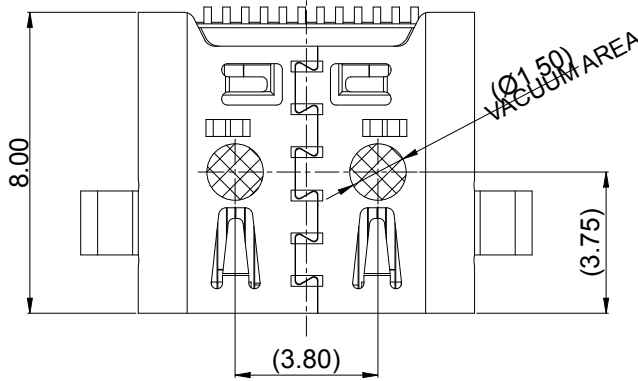


REV.	ECN NO.	CONTENT	DATE	ENGINEER
A0		Initial release	/	TSP

NOTE/注释:

1. SPECIFICATION/规格:

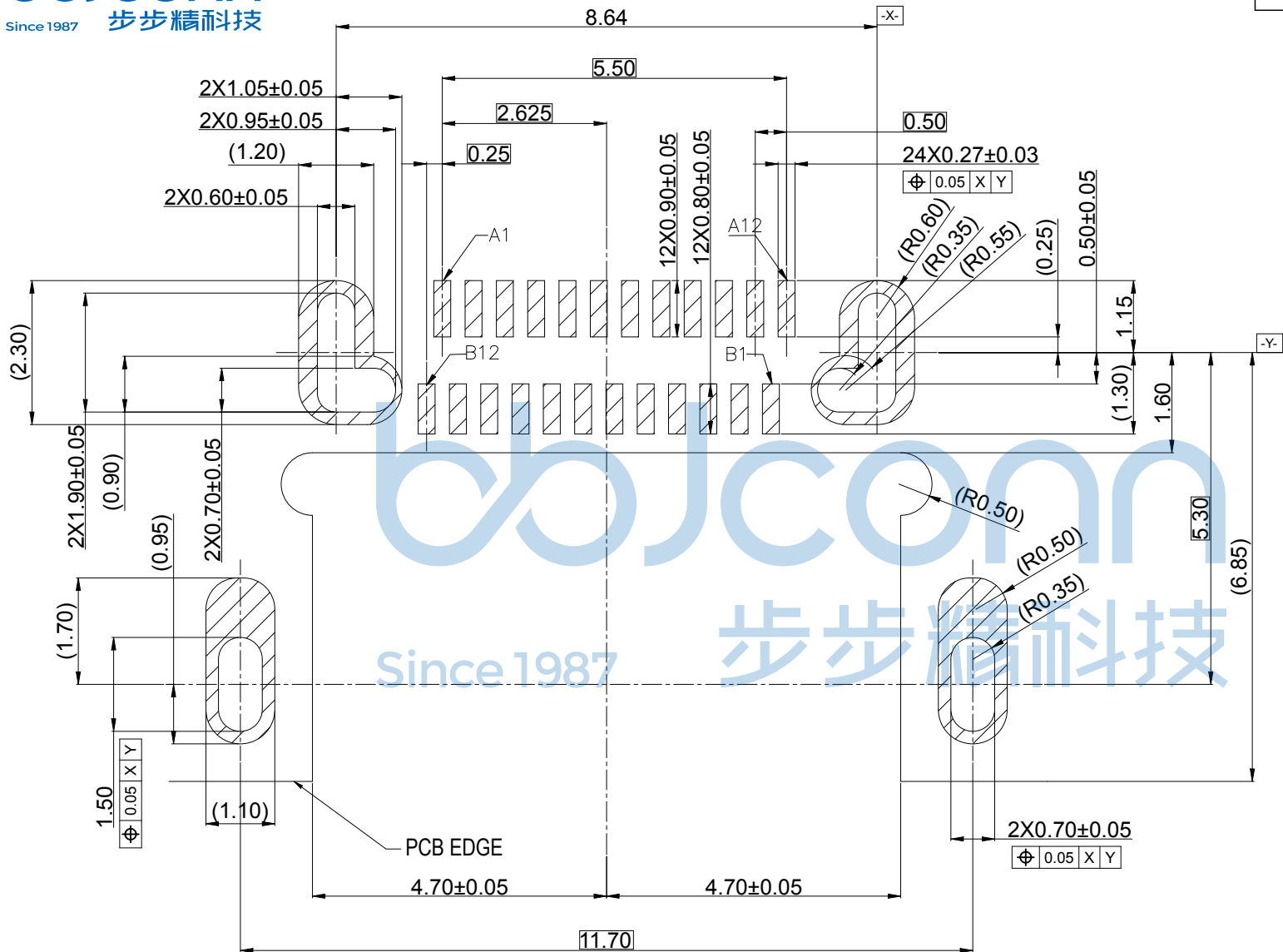
- 1.1 Rated current (额定电流): 5.0 A
- 1.2 Voltage rating (额定电压): 5V AC
- 1.3 Contact Resistance (接触阻抗): 40 mΩ Max.
- 1.4 Insulation Resistance (绝缘阻抗): 100MΩ Min.
- 1.5 Withstanding voltage (耐电压): 100 VAC/minute
- 1.6 Mating force (插入力): 5~20N.
- 1.7 Unmating force (拔出力): 8~20N.
- 1.8 Durability Cycle(寿命循环): 10,000 cycle
- 1.9 Operating temperature (工作温度): -40°~+85°



PIN ASSIGNMENT

A1	A2	A3	A4	A5	A6	A7	A8	A9	A10	A11	A12
GND	TX1+	TX1-	Vbus	CC1	D+	D-	SBU1	Vbus	RX2-	RX2+	GND
GND	RX1+	RX1-	Vbus	SBU2	D-	D+	CC2	Vbus	TX2-	TX2+	GND
B12	B11	B10	B9	B8	B7	B6	B5	B4	B3	B2	B1

THIS DOCUMENT IS THE SOLE PROPERTY OF BBJconn Technology Co., Ltd. Corporation AND SHOULD NOT BE USED IN WHOLE OR IN PART WITHOUT PRIOR WRITTEN PERMISSION.		深圳市步步精科技有限公司 工程部 APPROVED BBJconn Technology Co., Ltd.	
PDWG.NO: 0470-1		DR. TSP APPD. JM_Zheng CHKD. LYX NAME: USB 4.0 TYPE-C 24P 母座 无后盖 单壳 四脚插 端子双排SMT 沉板 1.08 L=8.17 CH=0.50 编带 PJ. NO.: 126-223-240002-U4G SIZE: A4 DRW NO.: FINISH: SEE NOTES MAT'L.: SEE NOTES SCALE: N/A REV.: A0 UNIT: mm PAGE: 1/3	



ITEM	DESCRIPTION	Q'TY	MATERIAL	FINISH	REMARK
4	TERMINAL	24	COPPER ALLOY	MATING SIDE: Au 1u"; SOLDER TAIL: Gold FLASH, 50u" NICKEL OVERALL.	T=0.12
3	SHELL	1	SUS304	30U" NICKEL PLATING	T=0.30
2	MID PLATE	1	SUS301-H	30U" NICKEL PLATING	T=0.15
1	MAIN HOUSING	1	HIGH TEMPERATURE	PA9T BLACK	UL94V-0
BILL OF MATERIAL					

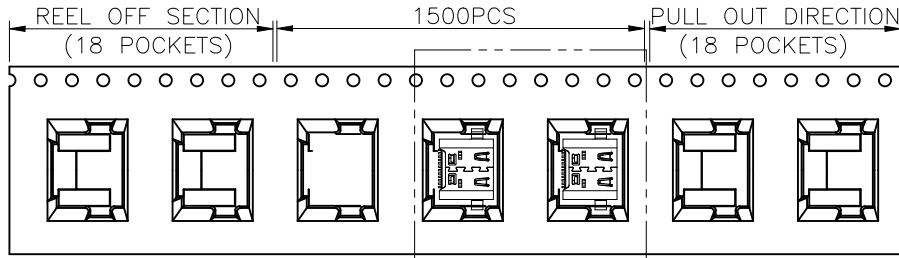
THIS DOCUMENT IS THE SOLE PROPERTY OF BBJconn Technology Co., Ltd. CORPORATION AND SHOULD NOT BE USED IN WHOLE OR IN PART WITHOUT PRIOR WRITTEN PERMISSION.  
PDWG. NO: 0470-1

**深圳市步步精科技有限公司**

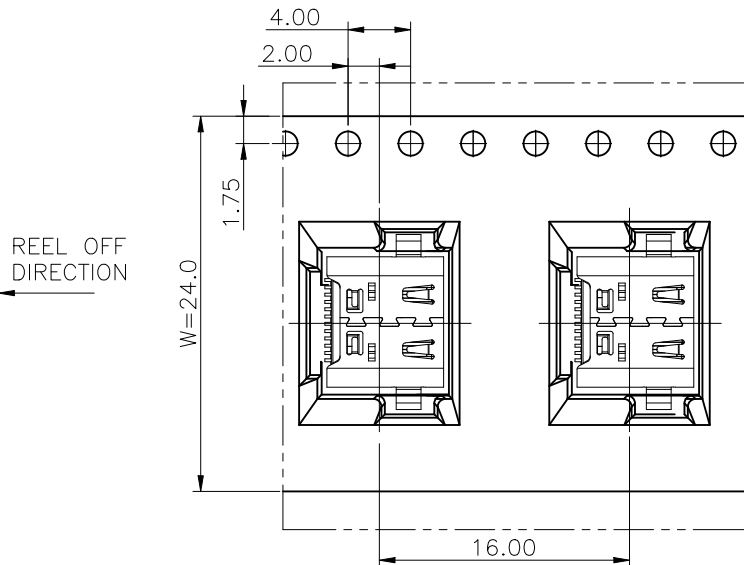
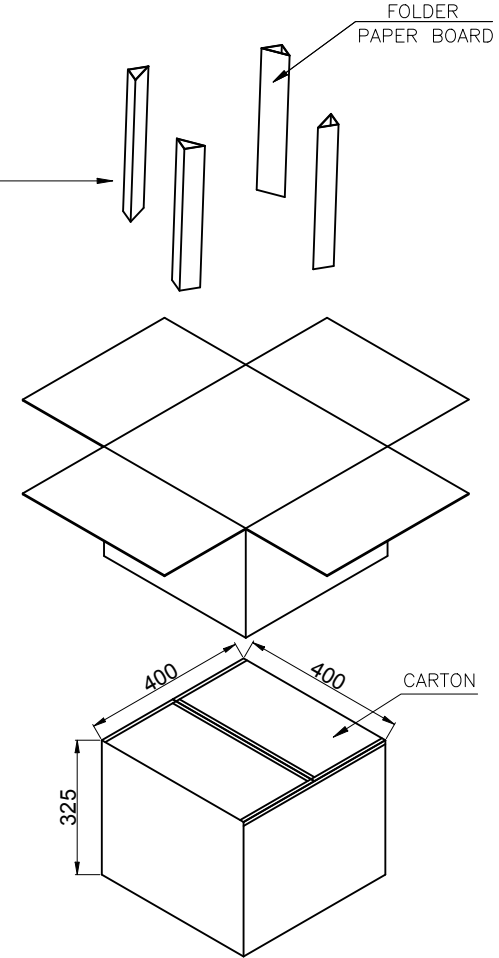
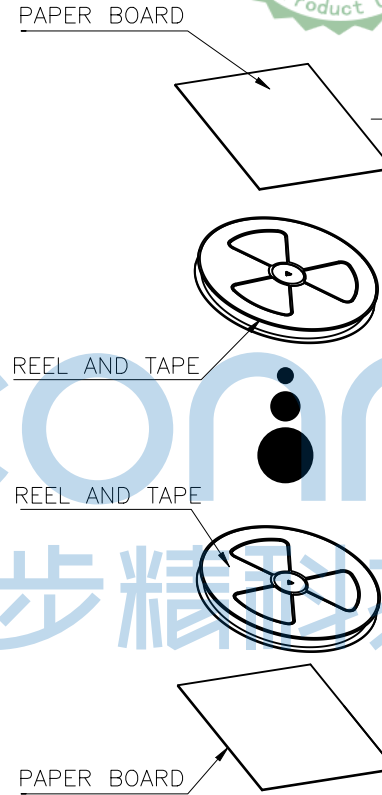
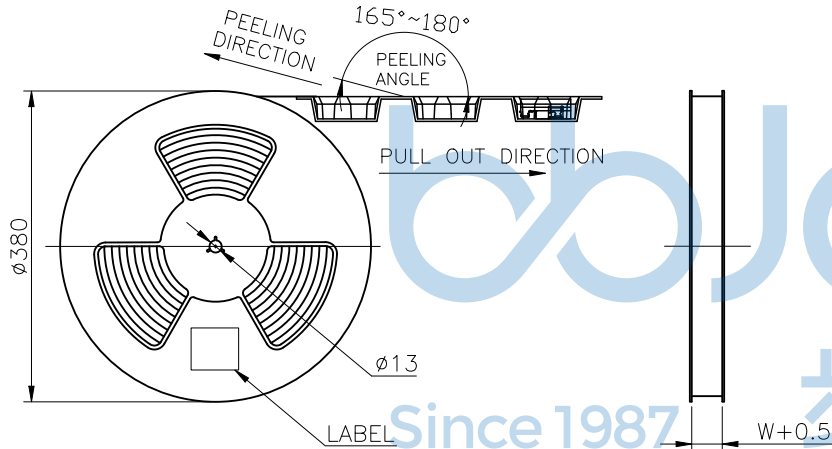
.X: ±0.38 .XX: ±0.25 .XXX: ±0.13	X': ±3" .X': ±2" .XX': ±1"	NAME: USB 4.0 TYPE-C 24P 母座 无后盖 单壳 四脚插 端子双排SMT 沉板1.08 L=8.17 CH=0.50 编带
APPD. JM_Zheng	CHKD. LYX	PJ. NO.: 126-223-240002-U4G
DR. TSP		SIZE: A4   DRW NO.:
		FINISH: SEE NOTES   MAT'L.: SEE NOTES
		SCALE: N/A   REV.: A0   UNIT: mm   PAGE: 2/3



REV.	ECN NO	CONTENT	DATE	ENGINEER
A0		Initial release	/	TSP



SEE DETAIL X



	REEL	CARTON
CONNECTOR (PCS)	1500	15000



THIS DOCUMENT IS THE SOLE PROPERTY OF BBJconn Technology Co.,Ltd. Corporation AND SHOULD NOT BE USED IN WHOLE OR IN PART WITHOUT PRIOR WRITTEN PERMISSION.  
PDWG:NO: 0470-1

**深圳市步步精科技有限公司**

NAME: USB 4.0 TYPE-C 24P 母座 无后盖 单壳 四脚插 端子双排SMT 沉板1.08 L=8.17 CH=0.50 编带

APPD. JM_Zheng	PJ. NO.: 126-223-240002-U4G
CHKD. LYX	SIZE: A4   DRW NO.:
DR. TSP	FINISH: SEE NOTES   MAT'L.: SEE NOTES
	SCALE: N/A   REV.: A0   UNIT: mm   PAGE: 3/3