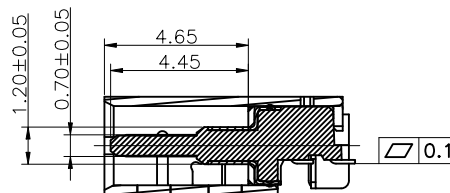
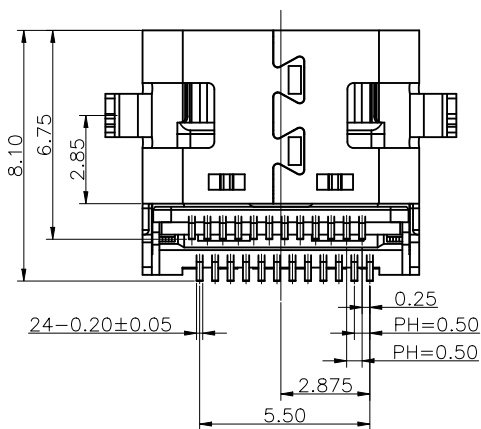
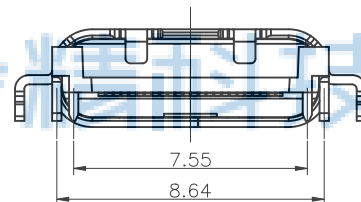
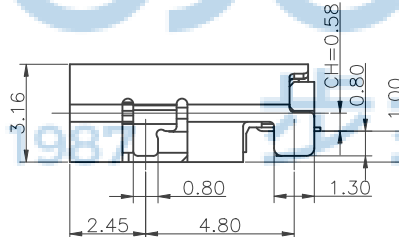
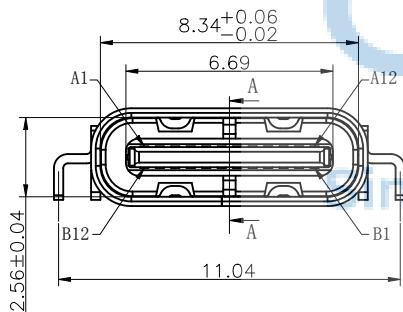
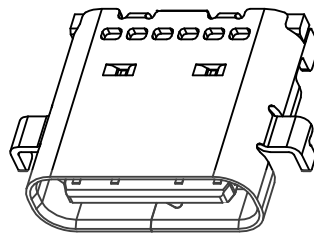
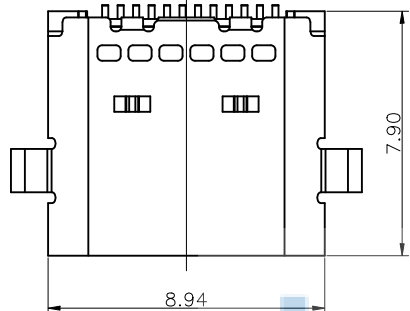




| REV. | ECN NO | CONTENT | DATE | ENGINEER |
|------|--------|------------------------|------|----------|
| A0 | | | | |
| A1 | | 包规有1000pcs/卷改为900pcs/卷 | | |

NOTE:

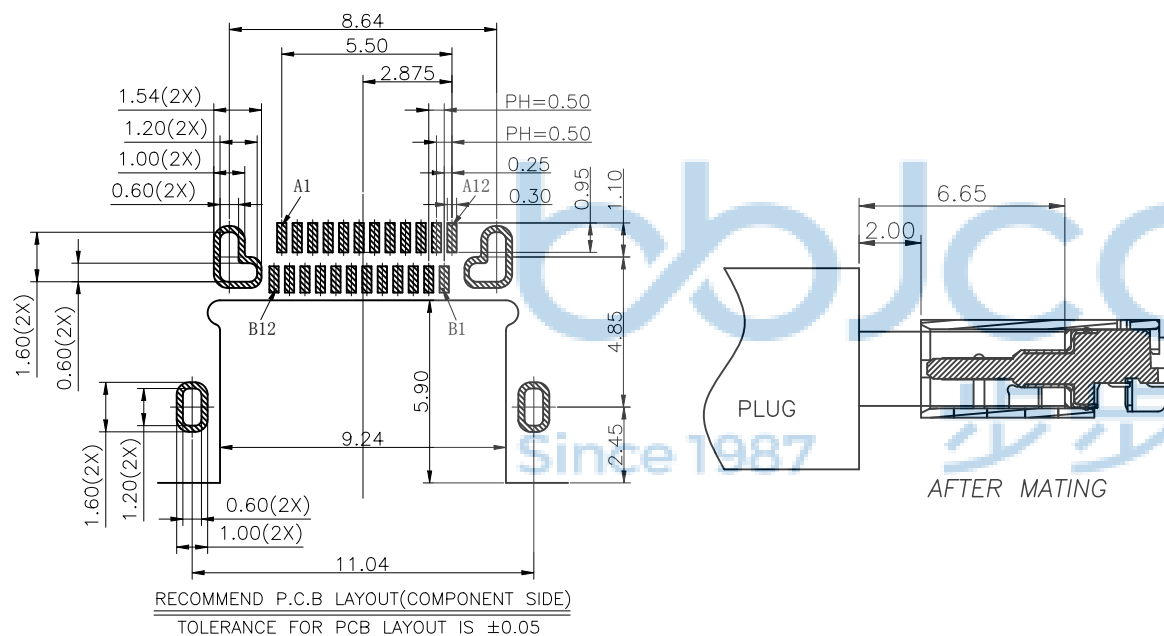
- MATERIAL SPECIFICATION:
 - HOUSING: HIGH TEMPERATURE RESISTANT PLASTIC, LCP UL94 V-0.
 - TERMINAL: COPPER ALLOY
 - MID PLATE: STAINLESS STEEL (SUS301 T=0.15mm)
 - FRONT SHELL: STAINLESS STEEL (SUS304 T=0.3mm)
 - EMI PLATE: STAINLESS STEEL (SUS304 T=0.10mm)
- PLATING SPECIFICATION:
 - TERMINAL: Ni 50u" MIN. UNDER PLATED OVER ALL. Au PLATED ON THE FUNCTIONAL AREA OF CONTACT. (GOLD PLATING THICKNESS FOLLOW 3u) PLATING SPECIFICATIONS OF THE SOLDER AREA FOLLOW G/F
 - FRONT SHELL: Ni 30u" MIN. UNDER PLATED OVER ALL.
 - MID PLATE CLEAR ONLY
 - EMI PLATE: CLEAR ONLY
- MECHANICAL PERFORMANCE,
 - INSERTION FORCE: 5 ~ 2.0kgf.
 - REMOVAL FORCE: 0.8kgf ~ 2.0kgf.
 - DURABILITY: 10000 CYCLES.
- ELECTRICAL PERFORMANCE,
 - VOLTAGE RATING: 5 V DC/AC (RMS. max) CURRENT RATING: 5 AMPS. FOR TOTAL VBUS/GND PINS; 1.25AMPS FOR CC PIN, 0.25 AMPS. FOR ALL OTHER CONTACT.
 - LLCR: . VBUS & GND PINS AND OTHER PINS: 40mΩ /PIN MAX. SHIELD: 50mΩ /MAX. LLCR MAX. CHANGE OF ALL PINS: 10mΩ .
 - INSULATION RESISTANCE: 100MΩ MIN
 - DIELECTRIC WITHSTAND VOLTAGE, AC 100V FOR 1 MINUTE.
- ENVIRONMENTAL PERFORMANCE: OPERATING TEMPERATURE: -25° C ~ +85° C.
- IR REFLOW: THE PEAK TEMPERATURE ON THE BOARD SHALL BE MAINTAINED FOR 10 SECONDS AT 260° C.



SECTION A-A
SCALE 1:1

| | | | |
|------------------------------------------------------------------------------------------------------------------------------------------------------------|----------|---------------------------------------------------------|-----------------------------|
| THIS DOCUMENT IS THE SOLE PROPERTY OF BBJconn Technology Co.,Ltd. Corporation AND SHOULD NOT BE USED IN WHOLE OR IN PART WITHOUT PRIOR WRITTEN PERMISSION. | | 深圳市步步精科技有限公司 | |
| PDWG.NO: 0398-1 | | NAME: TYPE-C 24P 母座 四脚插 端子双排SMT 沉板1.0 L=7.90 CH=0.58 编带 | |
| APPD. | JM_Zheng | PJ. NO.: UC.01.32-1H-0001 | |
| CHKD. | TSP | SIZE: A4 DRW NO.: | |
| DR. | LYX | FINISH: SEE NOTES | MAT'L.: SEE NOTES |
| | | SCALE: N/A | REV.: A1 UNIT: mm PAGE: 1/3 |

| REV. | ECN NO | CONTENT | DATE | ENGINEER |
|------|--------|----------------------------|------|----------|
| A0 | | | | |
| A1 | | 包规有1000pcs/卷改为 900pcs/卷 | | |



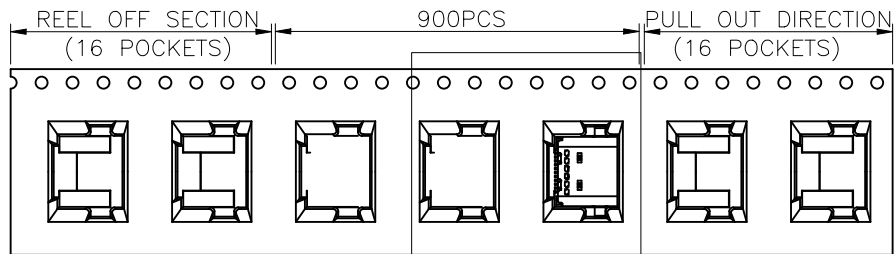
USB TYPE-C PIN ASSIGNMENTS

| PIN NUMBER | SIGNAL NAME | PIN NUMBER | SIGNAL NAME |
|------------|-------------|------------|-------------|
| A1 | GND | B12 | GND |
| A2 | SSTXp1 | B11 | SSRXp1 |
| A3 | SSTXn1 | B10 | SSRXn1 |
| A4 | VBUS | B9 | VBUS |
| A5 | CC1 | B8 | SBU2 |
| A6 | Dp1 | B7 | Dn2 |
| A7 | Dn1 | B6 | Dp2 |
| A8 | SBU1 | B5 | CC2 |
| A9 | VBUS | B4 | VBUS |
| A10 | SSRXn2 | B3 | SSTXn2 |
| A11 | SSRXp2 | B2 | SSTXp2 |
| A12 | GND | B1 | GND |

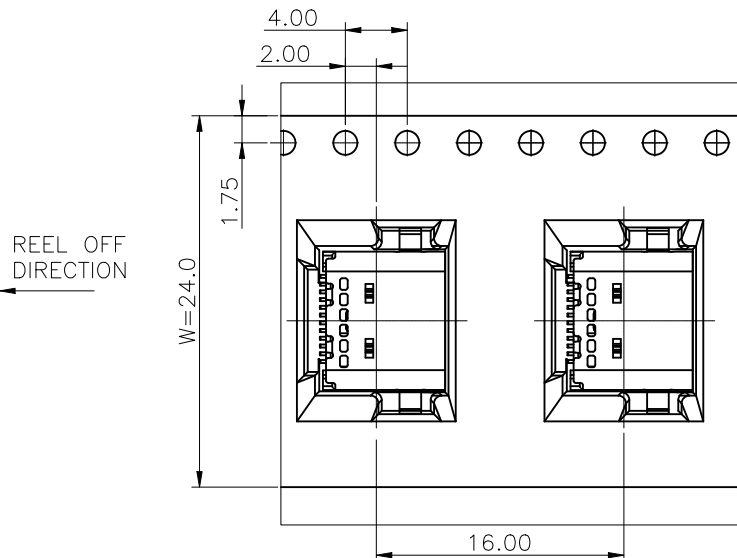
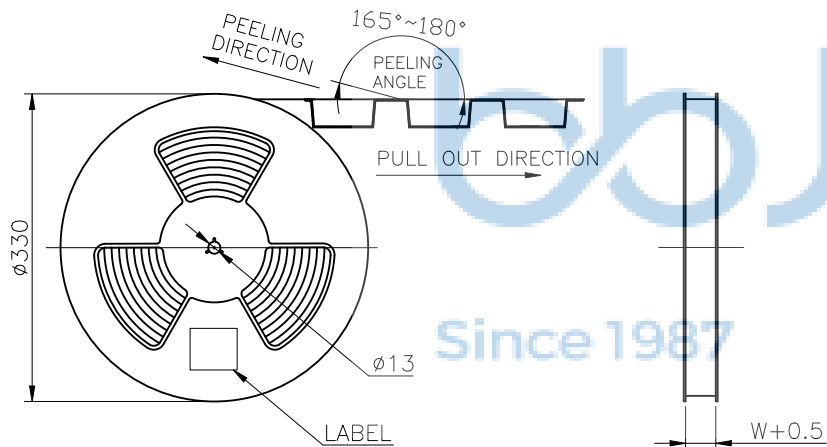


| | | | |
|------------------------------------------------------------------------------------------------------------------------------------------------------------|--|---------------------------------------------------------|--|
| THIS DOCUMENT IS THE SOLE PROPERTY OF BBJconn Technology Co.,Ltd. Corporation AND SHOULD NOT BE USED IN WHOLE OR IN PART WITHOUT PRIOR WRITTEN PERMISSION. | | 深圳市步步精科技有限公司 工程 部 | |
| .X: ±0.38 .XX: ±0.25 .XXX: ±0.13 | | X*: ±3" X*: ±2" XX*: ±1" | |
| APPD. JM_Zheng | | NAME: TYPE-C 24P 母座 四脚插 端子双排SMT 沉板1.0 L=7.90 CH=0.58 编带 | |
| CHKD. TSP | | PJ. NO.: UC.01.32-1H-0001 | |
| DR. LYX | | SIZE: A4 DRW NO.: | |
| PDWG.NO: 0398-1 | | FINISH: SEE NOTES MAT'L.: SEE NOTES | |
| | | SCALE: N/A REV.: A1 UNIT: mm PAGE: 2/3 | |

| REV. | ECN NO. | CONTENT | DATE | ENGINEER |
|------|---------|------------------------|------|----------|
| A0 | | | | |
| A1 | | 包规有1000pcs/卷改为900pcs/卷 | | |



SEE DETAIL X



PAPER BOARD

REEL AND TAPE

REEL AND TAPE

PAPER BOARD

FOLDER
PAPER BOARD

CARTON



| | REEL | CARTON |
|-----------------|------|--------|
| CONNECTOR (PCS) | 900 | 9000 |

PULL OUT DIRECTION



THIS DOCUMENT IS THE SOLE PROPERTY OF BBJconn Technology Co., Ltd. Corporation AND SHOULD NOT BE USED IN WHOLE OR IN PART WITHOUT PRIOR WRITTEN PERMISSION.
PDWG.NO: 0398-1

深圳市步步精科技有限公司

NAME: TYPE-C 24P 母座 四脚插 端子双排SMT 沉板1.0 L=7.90 CH=0.58 编带

PJ. NO.: UC.01.32-1H-0001
SIZE: A4 | DRW NO.:
FINISH: SEE NOTES | MAT'L.: SEE NOTES
SCALE: N/A | REV.: A1 | UNIT: mm | PAGE: 3/3

| | |
|-------|----------|
| APPD. | JM_Zheng |
| CHKD. | TSP |
| DR. | LYX |