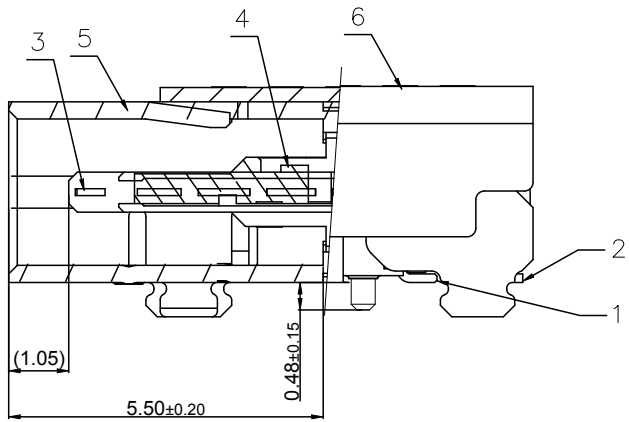
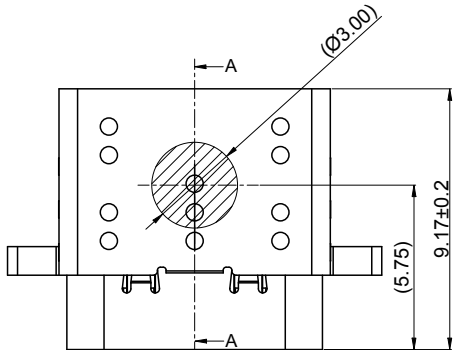
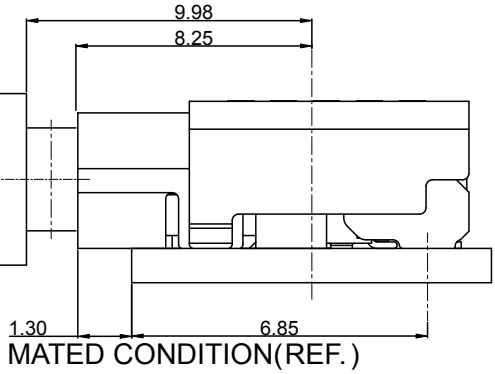
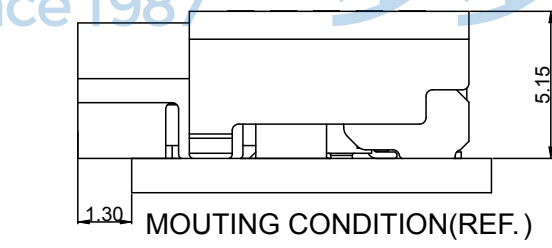
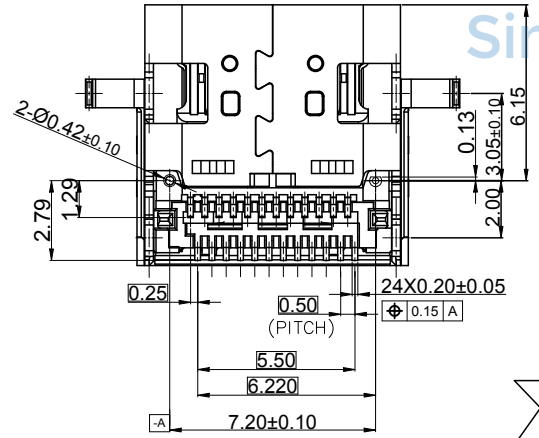
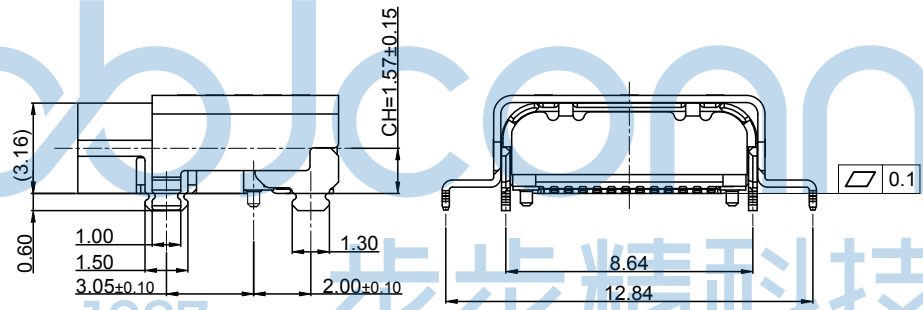
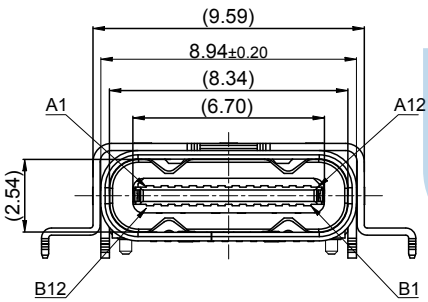


REV.	ECN NO	CONTENT	DATE	ENGINEER
A0		Initial release	/	TSP



SECTION A-A(剖视图A-A)  
SCALE 2:1 (比例 2:1)

NOTES/注释:  
 1. MATERIAL/材料: SEE TABLE/见下表  
 2. GENERAL SPECIFICATION/通用特性:  
 2.1 COPLANARITY/共面度: 0.10 Max.  
 2.2 CURRENT RATING: 5A/ 额定电流: 5安培  
 2.3 CONTACT RESISTANCE: 40mΩ MAX (INITIAL).  
 INSULATION RESISTANCE: 100MΩ Min  
 接触电阻: 40毫欧最大(初始值) / 绝缘电阻: 100MΩ Min  
 2.4 DIELECTRIC WITHSTANDING VOLTAGE: 100 VAC  
 耐电压: 100伏交流  
 2.5 MECHANICAL CHARACTERISTICS:  
 INSERTION FORCE: 5~20N EXTRACTION FORCE: 8~20N  
 AFTER DURABILITY EXTRACTION FORCE: 6~20N  
 力学特性: 初始插入力: 5~20N 拔出力: 8~20N  
 耐久后拔出力: 6~20N



6	OUT SHELL	1	SUS304	NICKEL PLATING	0.25mm
5	INT SHELL	1	SUS304	NICKEL PLATING	0.3mm
4	MAIN HOUSING	1	PA9T HF 30%玻纤, UL94 V-0, 黑色	-	COLOR:BLACK
3	MID PLATE	1	SUS301	-	0.15mm
2	BOTTOM TERMINAL	1	C18140	MATING SIDE:SEE PART NO;	0.12mm
1	TOP TERMINAL	1	C18140	SOLDER TAIL:GOLD FLASH, 30μ" NICKEL OVERALL.	0.12mm
ITEM	DESCRIPTION	QTY	MATERIAL	FINISH	REMARK

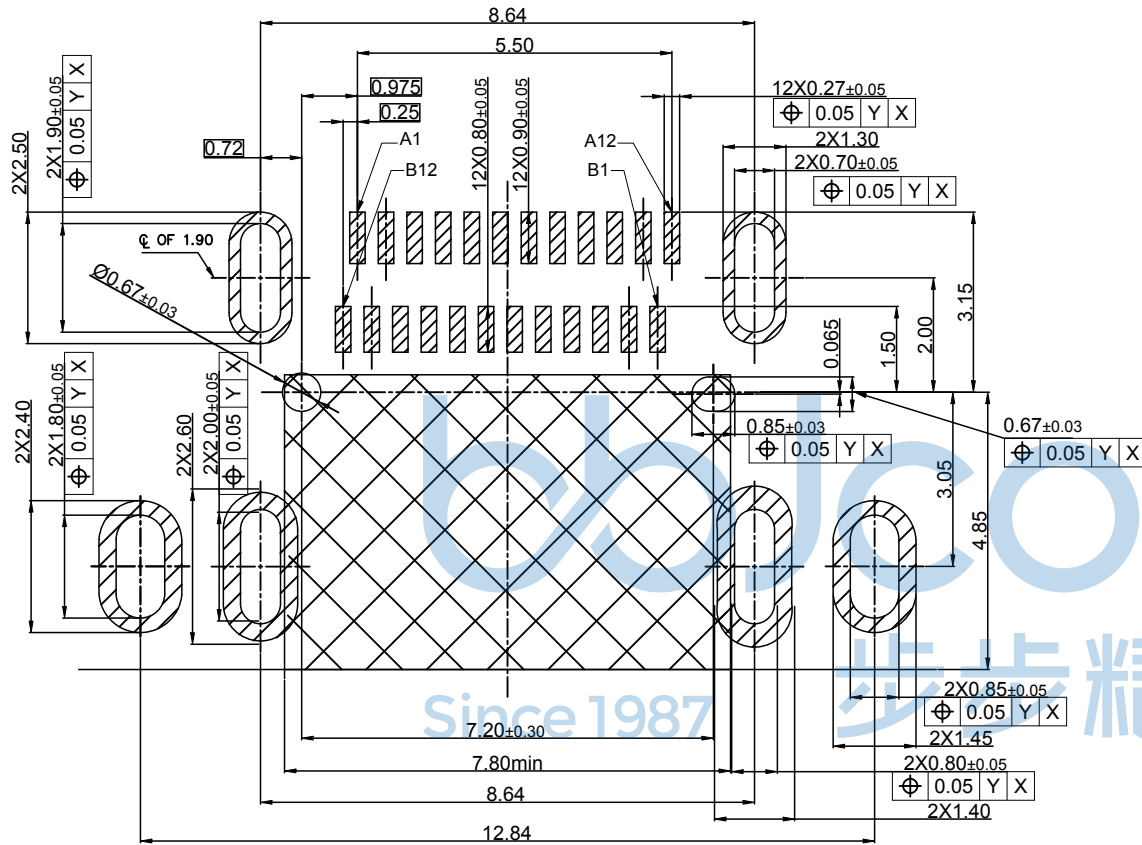
THIS DOCUMENT IS THE SOLE PROPERTY OF **深圳市步步精科技有限公司**  
 BBJconn Technology Co.,Ltd.  
 Corporation AND SHOULD NOT BE USED IN WHOLE OR IN PART WITHOUT PRIOR WRITTEN PERMISSION.  
 PDWG.NO: 0470-1

NAME:TYPE-C 24P 母座 有后盖 双壳 板上六脚插 带柱 端子双排SMT L=9.17 CH=1.57 外壳脚长0.6 编带

APPD. JM\_Zheng  
 CHKD. LYX  
 DR. TSP

PJ. NO.: UC.01.52-1W-0004  
 SIZE: A4 DRW NO.:  
 FINISH: SEE NOTES MAT'L.: SEE NOTES  
 SCALE: N/A REV.: A0 UNIT: mm PAGE: 1/3

REV.	ECN NO	CONTENT	DATE	ENGINEER
A0		Initial release	/	TSP



Recommended PCB Layout(Top View)/推荐的PCB布局(前视图)  
General Tolerances:±0.05/一般公差:±0.05



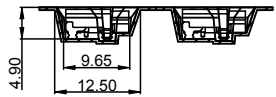
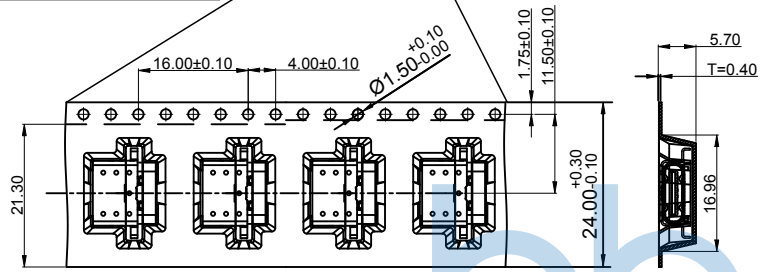
Pin定义:

A1	A2	A3	A4	A5	A6	A7	A8	A9	A10	A11	A12
GND	TX1+	TX1-	Vbus	CC1	D+	D-	SBU1	Vbus	RX2-	RX2+	GND
GND	RX1+	RX1-	Vbus	SBU2	D-	D+	CC2	Vbus	TX2-	TX2+	GND
B12	B11	B10	B9	B8	B7	B6	B5	B4	B3	B2	B1

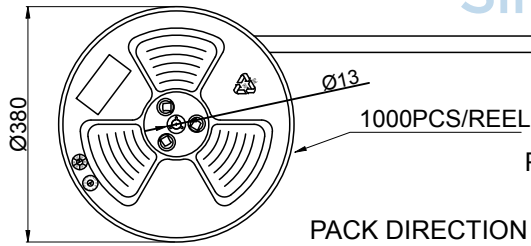
THIS DOCUMENT IS THE SOLE PROPERTY OF BBJconn Technology Co.,Ltd. Corporation AND SHOULD NOT BE USED IN WHOLE OR IN PART WITHOUT PRIOR WRITTEN PERMISSION.		<b>深圳市步步精科技有限公司</b>	
.X: ±0.38 .XX: ±0.25 .XXX: ±0.13		X': ±3' .X': ±2' .XX': ±1'	
APPD.	JM_Zheng	NAME:TYPE-C 24P 母座 有后盖 双壳 板上六脚插 带柱 端子双排SMT L=9.17 CH=1.57 外壳脚长0.6 编带	
CHKD.	LYX	PJ. NO.: UC.01.52-1W-0004 SIZE: A4 DRW NO.:	
DR.	TSP	FINISH: SEE NOTES MAT'L.: SEE NOTES SCALE: N/A REV.: A0 UNIT: mm PAGE: 2/3	
PDWG.NO:	0470-1		

REV.	ECN NO.	CONTENT	DATE	ENGINEER
A0		Initial release	/	TSP

20PCS EMPTY | 1000PCS PRODUCTS | BEGINNING PORTION 400mm MIN | 20PCS EMPTY

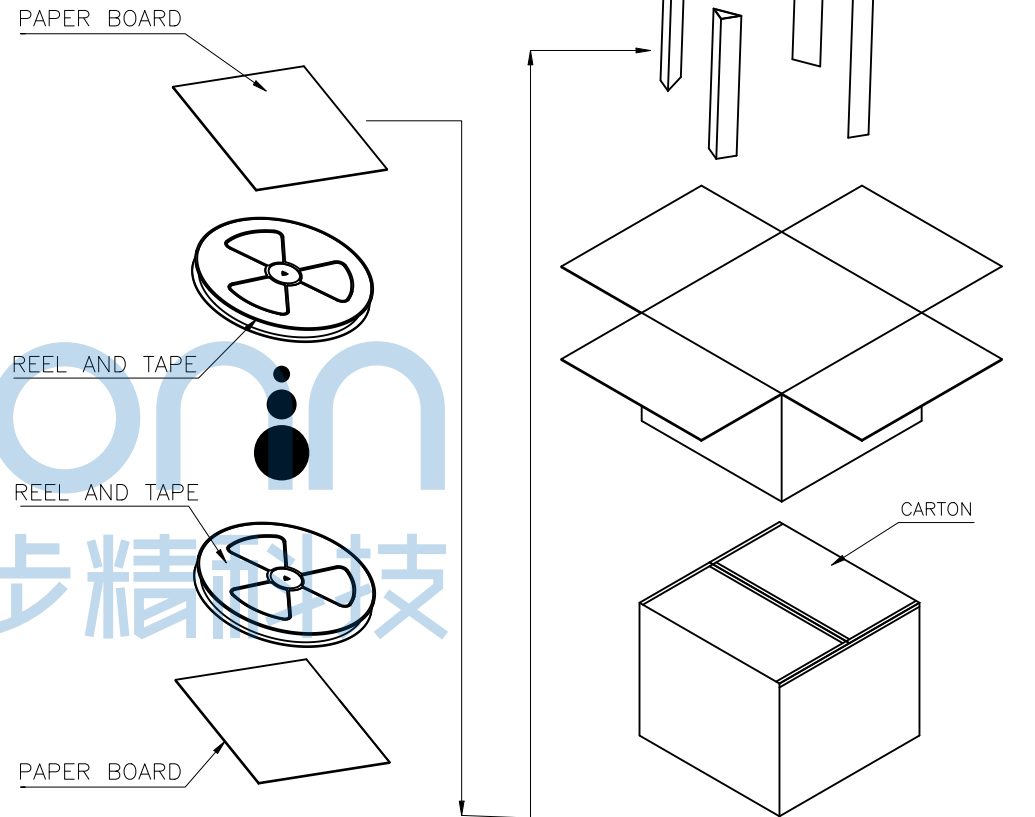


CUSTOMER UNWINDING DIRECTION



PACKING: 1. 1000 PCS/REEL.  
2. 10 REEL/Carton

PACK DIRECTION



THIS DOCUMENT IS THE SOLE PROPERTY OF BBJconn Technology Co.,Ltd. Corporation AND SHOULD NOT BE USED IN WHOLE OR IN PART WITHOUT PRIOR WRITTEN PERMISSION.		深圳市步步精科技有限公司 .X: ±0.38    .X': ±3" .XX: ±0.25    .X'': ±2" .XXX: ±0.13    .XX': ±1"		NAME: TYPE-C 24P 母座 有后盖 双壳 板上六脚插 带柱 端子双排SMT L=9.17 CH=1.57 外壳脚长0.6 编带	
APPD.	JM_Zheng	PJ. NO.: UC.01.52-1W-0004 SIZE: A4   DRW NO.:		FINISH: SEE NOTES   MAT'L.: SEE NOTES	
CHKD.	LYX	SCALE: N/A		REV.: A0	UNIT: mm
PDWG.NO:	0470-1	DR.	TSP	PAGE: 3/3	