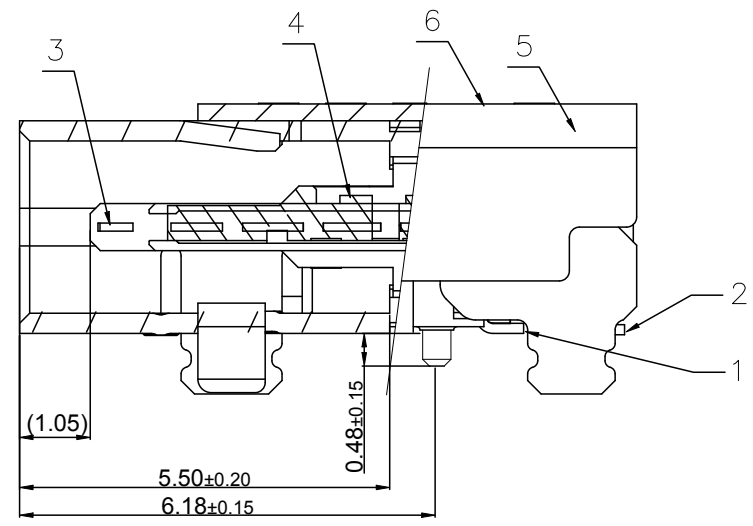
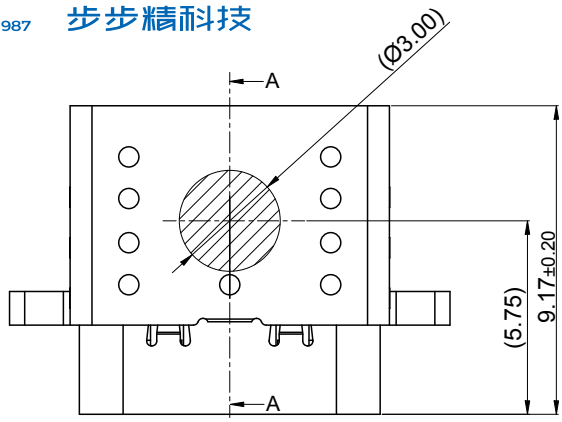
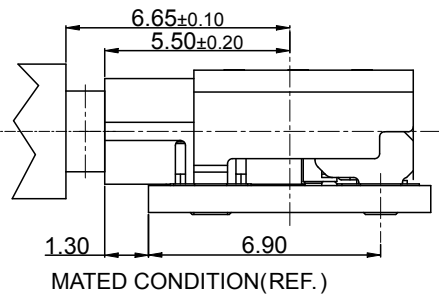
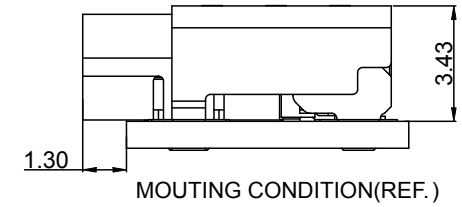
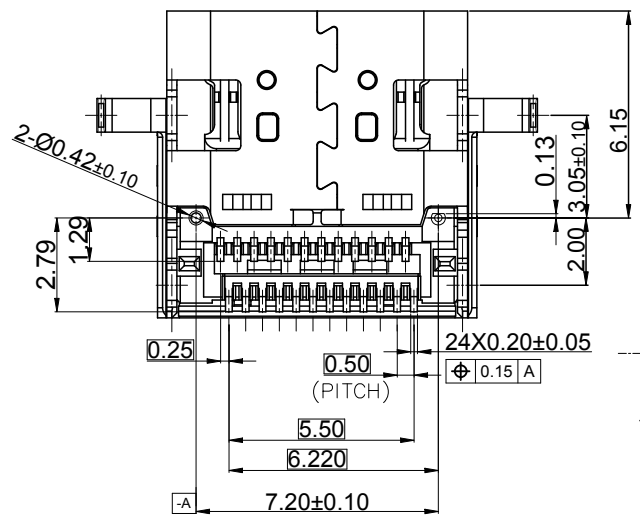
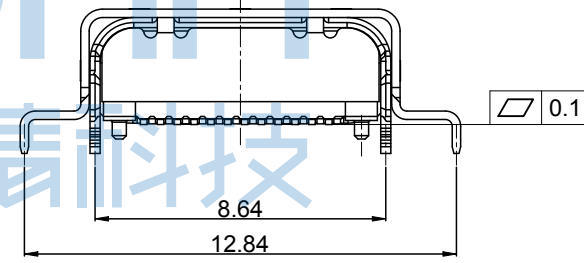
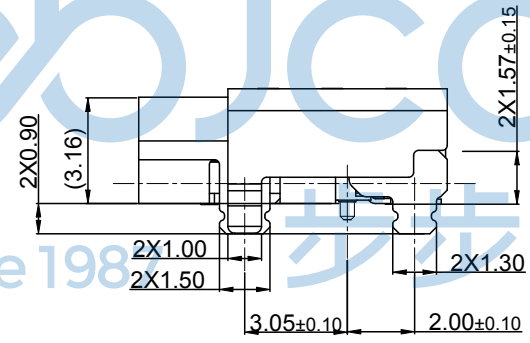
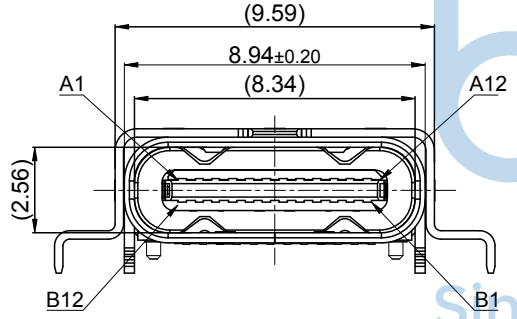


REV.	ECN NO	CONTENT	DATE	ENGINEER
A0		Initial release	/	TSP

NOTES/注释:  
 1. MATERIAL/材料: SEE TABLE/见下表  
 2. GENERAL SPECIFICATION/通用特性:  
 2.1 COPLANARITY/共面度: 0.10 Max.  
 2.2 CURRENT RATING: 5A/ 额定电流: 5安培  
 2.3 CONTACT RESISTANCE: 40mΩ MAX (INITIAL).  
 INSULATION RESISTANCE: 100MΩ Min  
 接触电阻: 40毫欧最大(初始值) / 绝缘电阻: 100MΩ Min  
 2.4 DIELECTRIC WITHSTANDING VOLTAGE: 100 VAC  
 耐电压: 100伏交流  
 2.5 MECHANICAL CHARACTERISTICS:  
 INSERTION FORCE: 5~20N EXTRACTION FORCE: 8~20N  
 AFTER DURABILITY EXTRACTION FORCE: 6~20N  
 力学特性: 初始插入力: 5~20N 拔出力: 8~20N  
 耐久后拔出力: 6~20N



SECTION A-A(剖视图A-A)  
SCALE 2:1 (比例 2:1)



6	OUT SHELL	1	SUS304	NICKEL PLATING	0.25mm
5	INT SHELL	1	SUS304	NICKEL PLATING	0.3mm
4	MAIN HOUSING	1	PA9T HF 30%玻纤, UL94 V-0, 黑色	-	COLOR:BLACK
3	MID PLATE	1	SUS301	-	0.15mm
2	BOTTOM TERMINAL	1	C18140	MATING SIDE:SEE PART NO; SOLDER TAIL:GOLD FLASH, 30u" NICKEL OVERALL.	0.12mm
1	TOP TERMINAL	1	C18140		0.12mm
ITEM	DESCRIPTION	QTY	MATERIAL	FINISH	REMARK

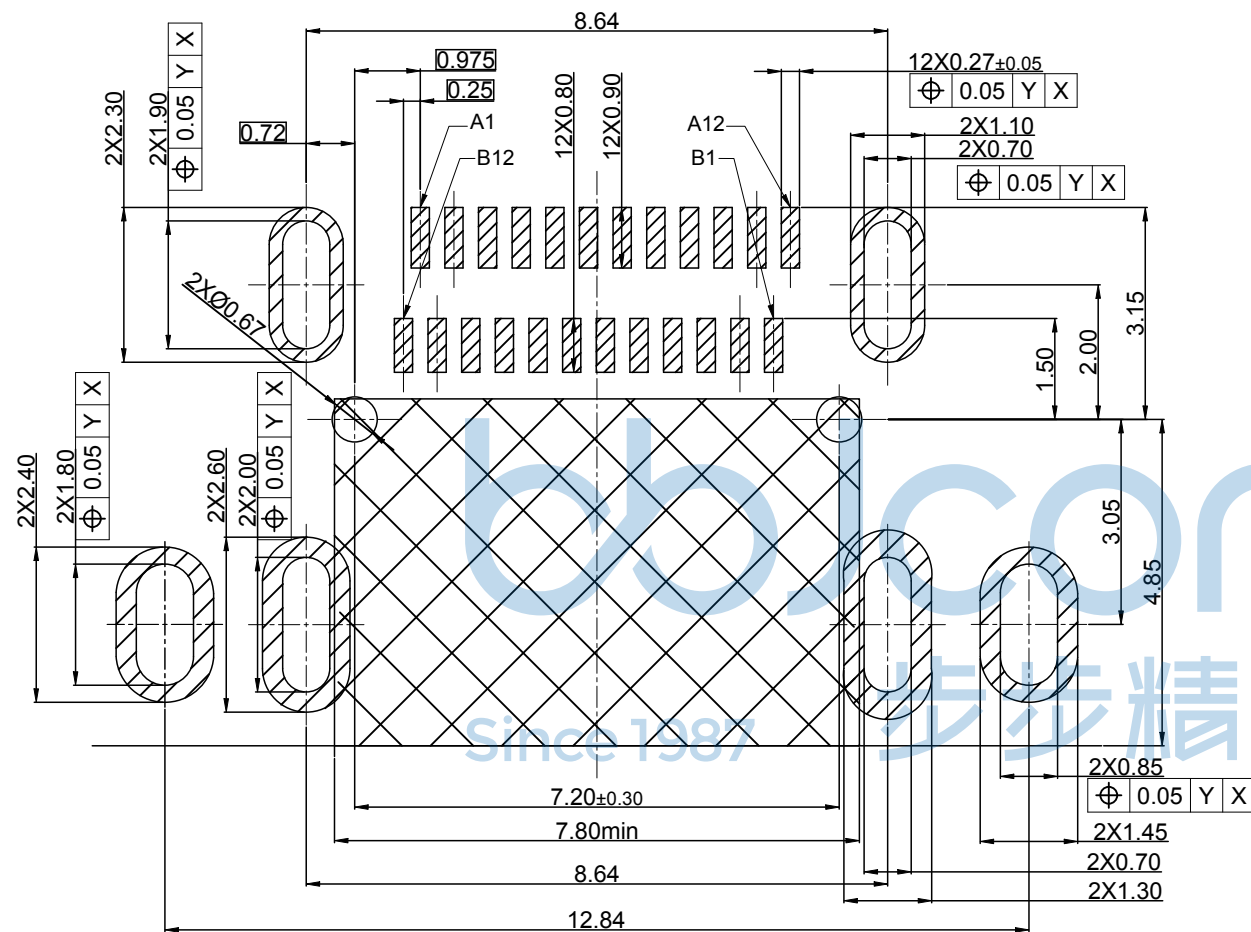
THIS DOCUMENT IS THE SOLE PROPERTY OF BBJconn Technology Co.,Ltd. Corporation AND SHOULD NOT BE USED IN WHOLE OR IN PART WITHOUT PRIOR WRITTEN PERMISSION. PDWG.NO: 0470-1

**深圳市步步精科技有限公司**

NAME: TYPE-C 24P 母座 有后盖 双壳 板上六脚插 带柱 端子双排SMT L=9.17 CH=1.57 外壳脚长0.9 编带

APPD. JM\_Zheng  
CHKD. LYX  
DR. TSP

PJ. NO.: UC.01.52-1W-0003  
SIZE: A4 | DRW NO.:  
FINISH: SEE NOTES | MAT'L.: SEE NOTES  
SCALE: N/A | REV.: A0 | UNIT: mm | PAGE: 1/3



Recommended PCB Layout(Top View)/ 推荐的PCB布局(前视图)

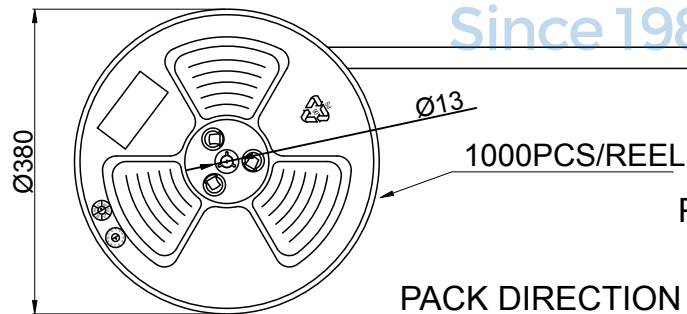
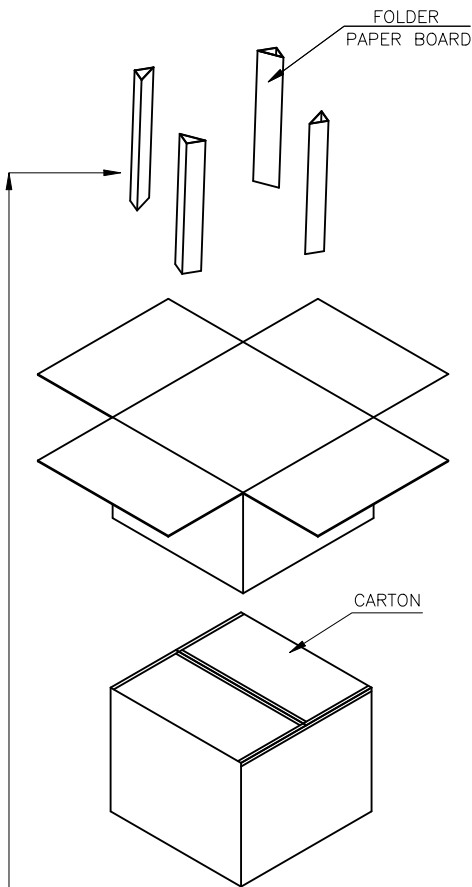
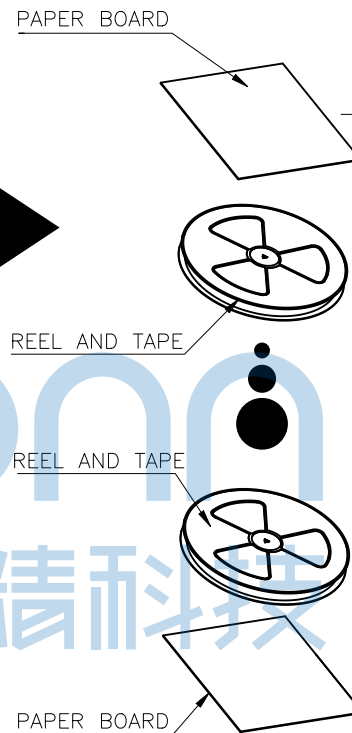
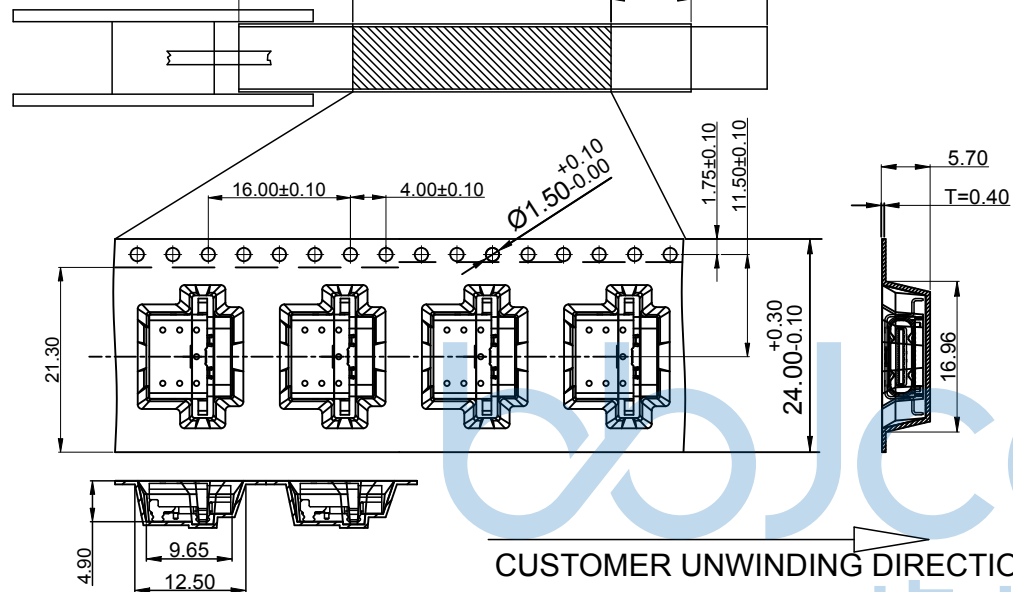
General Tolerances:±0.05/ 一般公差:±0.05

Pin定义:

A1	A2	A3	A4	A5	A6	A7	A8	A9	A10	A11	A12
GND	TX1+	TX1-	Vbus	CC1	D+	D-	SBU1	Vbus	RX2-	RX2+	GND
GND	RX1+	RX1-	Vbus	SBU2	D-	D+	CC2	Vbus	TX2-	TX2+	GND
B12	B11	B10	B9	B8	B7	B6	B5	B4	B3	B2	B1

THIS DOCUMENT IS THE SOLE PROPERTY OF BBJconn Technology Co.,Ltd. Corporation AND SHOULD NOT BE USED IN WHOLE OR IN PART WITHOUT PRIOR WRITTEN PERMISSION.		深圳市步步精科技有限公司	
.X: ±0.38 .XX: ±0.25 .XXX: ±0.13		X': ±3" X'': ±2" X''': ±1"	
NAME:	TYPE-C 24P 母座 有后盖 双壳 板上六脚插 带柱 端子双排SMT L=9.17 CH=1.57 外壳脚长0.9 编带		
APPD.	JM_Zheng	PJ. NO.: UC.01.52-1W-0003	
CHKD.	LYX	SIZE: A4 DRW NO.:	
PDWG,NO:	0470-1	DR.	TSP
FINISH: SEE NOTES		MAT'L.: SEE NOTES	
SCALE: N/A	REV.: A0	UNIT: mm	PAGE: 2/3

20PCS EMPTY      1000PCS PRODUCTS      BEGINING PORTION 400mm MIN  
20PCS EMPTY



PACKING: 1. 1000 PCS/REEL.  
2. 10 REEL/Carton



THIS DOCUMENT IS THE SOLE PROPERTY OF BBJconn Technology Co.,Ltd. Corporation AND SHOULD NOT BE USED IN WHOLE OR IN PART WITHOUT PRIOR WRITTEN PERMISSION.		深圳市步步精科技有限公司 .X: ±0.38    .X': ±3' .XX: ±0.25    .X': ±2' .XXX: ±0.13    .XX': ±1'		NAME: TYPE-C 24P 母座 有后盖 双壳 板上六脚插 带柱 端子双排SMT L=9.17 CH=1.57 外壳脚长0.9 编带	
APPD.	JM_Zheng	PJ. NO.: UC.01.52-1W-0003 SIZE: A4   DRW NO.:		FINISH: SEE NOTES    MAT'L.: SEE NOTES	
CHKD.	LYX	SCALE: N/A		REV.: A0	UNIT: mm
PDWG.NO:	0470-1	DR.	TSP	PAGE: 3/3	