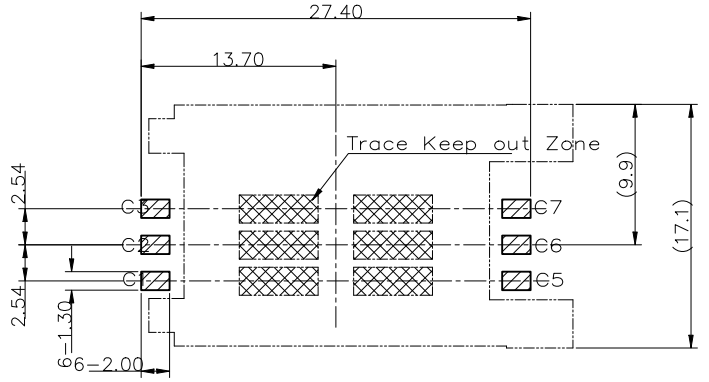
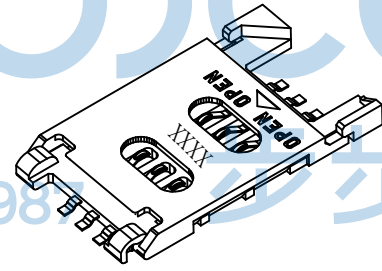
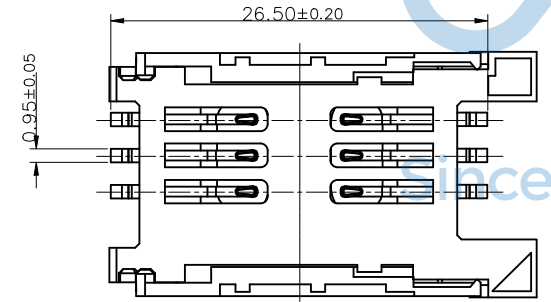
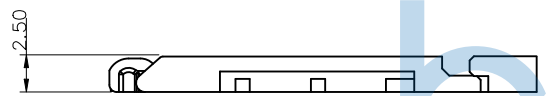
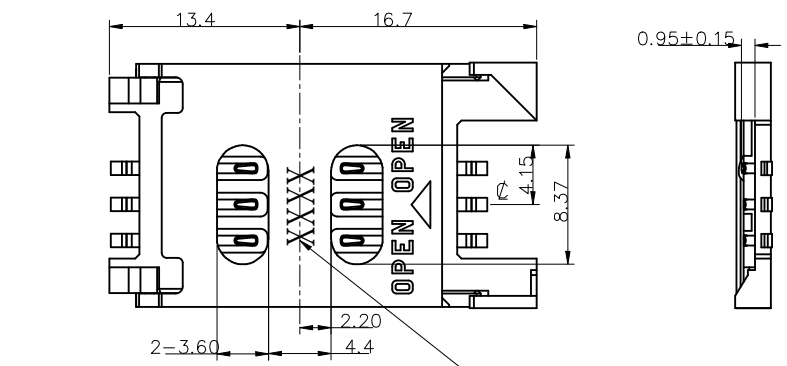


REV.	ECN NO	CONTENT	DATE	ENGINEER
A0		Initial release	/	TSP

- NOTE:
- Material & Finish See Table;
  - Specification:
    - Current Rating : 0.5A max/Pin.
    - Contact Resistance: 100mOhms max
    - Insulation Resistance: 1000MOhms $\ominus$  min./500VDC
    - Dielectric Withstanding Voltage: 500VAC/1minute
    - Operating Temperature: -25°C to +85°C
    - Mating Cycles: 2000 Insertions
  - Critical Dimensions Marked " " Should Check By QC.
  - Please Contact PROMAX Sales Representative to Verify Product Details.



Recommended PCB Layout  
Tolerance:  $\pm 0.05$

C1	Vcc
C2	Reset
C3	Clock
C5	Grand
C6	Vpp
C7	I/O



3	Cover	Thermoplastics	Black,UL94V-0
2	Housing	Thermoplastics	Black,UL94V-0
1	Terminal	Copper Alloy	Gold plated on Contact Area; Tin plated on Solder Tails; Nickel Under Plated Overall.
Item	Part Name	Material	Description

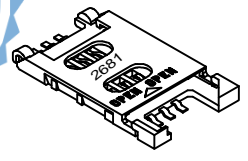
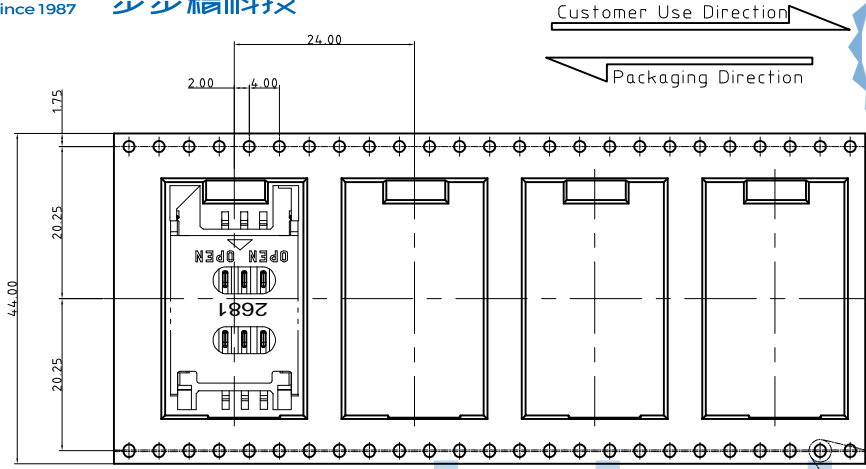
THIS DOCUMENT IS THE SOLE PROPERTY OF **BBJconn Technology Co.,Ltd.** 深圳市步步精科技有限公司

Corporation AND SHOULD NOT BE USED IN WHOLE OR IN PART WITHOUT PRIOR WRITTEN PERMISSION.

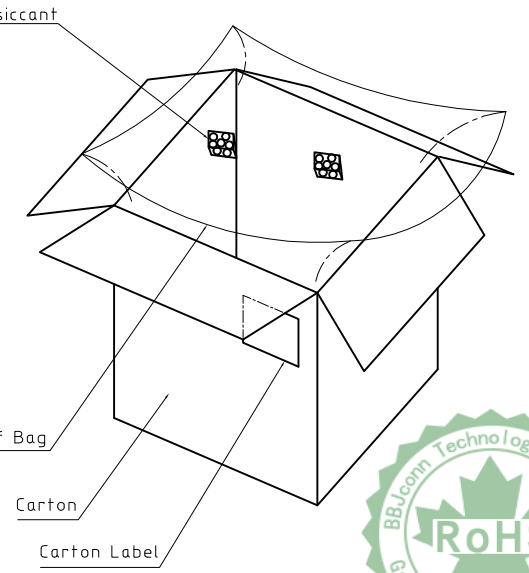
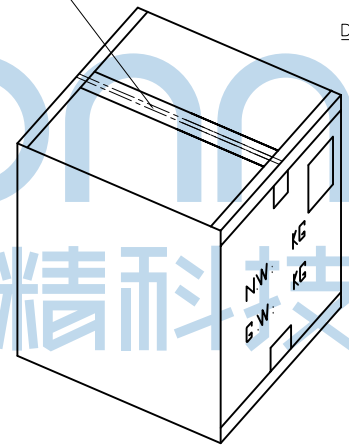
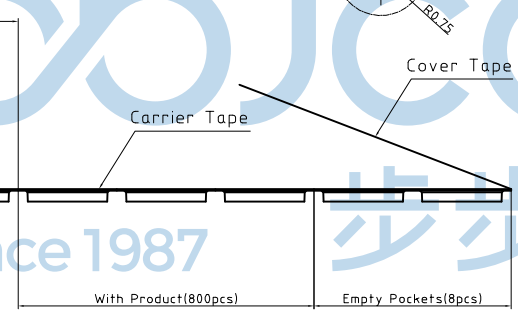
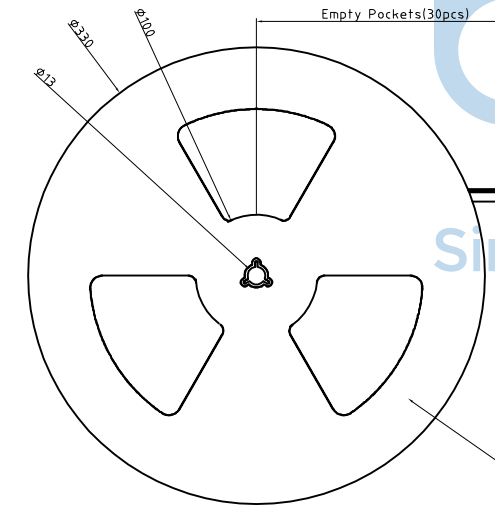
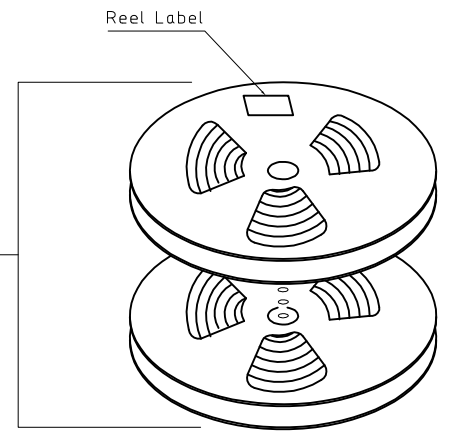
PDWG:NO: 0085-1

.X: $\pm 0.38$	.X': $\pm 3'$	NAME: 卡座 SIM 6P 掀盖式 全塑 贴片 无柱 H=2.50 (MC05-30250-7F)
.XX: $\pm 0.25$	.X': $\pm 2'$	PJ. NO.: CD.02.02-15-0001
.XXX: $\pm 0.13$	.XX': $\pm 1'$	SIZE: A4 DRW NO.:
APPD. JM_Zheng	CHKD. LYX	FINISH: SEE NOTES MAT'L.: SEE NOTES
DR. TSP		SCALE: N/A REV.: A0 UNIT: mm PAGE: 1/2

REV.	ECN NO.	CONTENT	DATE	ENGINEER
A0		Initial release	/	TSP



Reel with Product  
6 Reel



NOTE:  
 1. Packing Quantity: 800Pcs/Reel, 4.8Kpcs/Carton;  
 2. When Carton Fill Zero, Then Fill of Polyethylene Foam;

Item	Part Name	Q'ty	Description	Item	Part Name	Q'ty	Description
10	Sealing Tape	/	/	5	Product	4.8Kpcs/	
9	Carton Label	1	/	4	Reel Label	6	/
8	Carton	1	340X340X330	3	Reel	6	Blue,
7	Waterproof Bag	1	/	2	Cover Tape	/	Transparent, Width=37.5mm;
6	Desiccant	2	30g/bag	1	Carrier Tape	/	Black, Width=44.0mm;

THIS DOCUMENT IS THE SOLE PROPERTY OF BBJconn Technology Co., Ltd. CORPORATION AND SHOULD NOT BE USED IN WHOLE OR IN PART WITHOUT PRIOR WRITTEN PERMISSION.

PDWG.NO: 0085-1

DR. TSP

**深圳市步步精科技有限公司**

NAME: 卡座 SIM 6P 掀盖式 全塑 贴片 无柱 H=2.50 (MC05-30250-7F)

APPD. JM\_Zheng

CHKD. LYX

PJ. NO.: CD.02.02-15-0001

SIZE: A4 DRW NO.:

FINISH: SEE NOTES MAT'L.: SEE NOTES

SCALE: N/A REV.: A0 UNIT: mm PAGE: 2/2