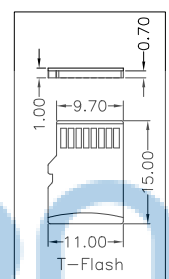
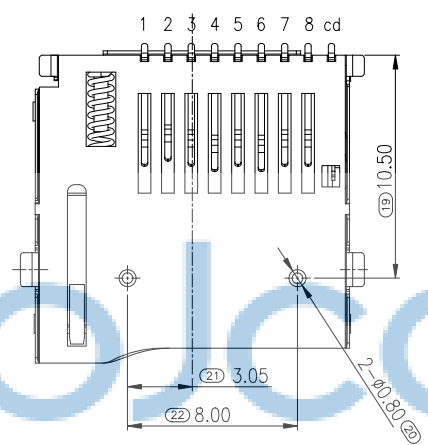
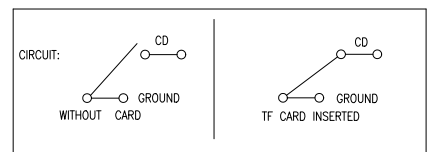
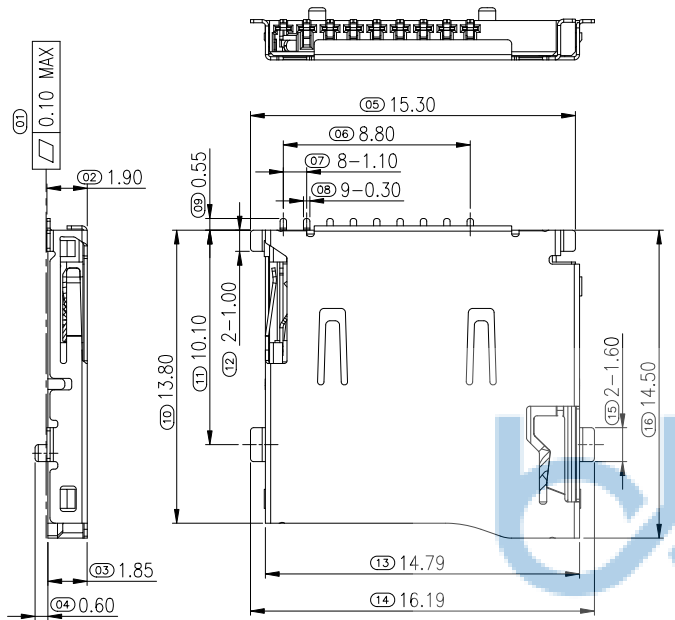


REV.	ECN NO.	CONTENT	DATE	ENGINEER
A0				



规格说明:

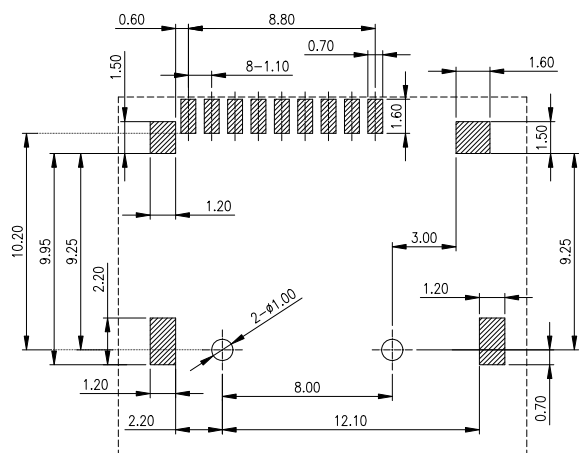
- 尺寸测量:
 - 1-1: “▲”为重点检验尺寸;
- 电气特性:
 - 2-1: 额定接触电流: 0.5A Max;
 - 2-2: 接触电阻: 100 mΩ Max;
 - 2-3: 绝缘电阻: 1000MΩ MIN. 500V DC 测试时长1分钟.
- 机械特性:
 - 3-1: 锁退卡耐久: 5000 cycles;
 - 3-2: 锁卡力: 0.50Kg~1.20Kg;
 - 3-3: 退卡力: 0.50Kg~1.20Kg.
- 环境特性:
 - 4-1: 测试温度范围: -25 °C to +85 °C;
 - 4-2: 盐雾测试: 5% 浓度盐水 端子镀锡区域喷雾8H、刷金区域喷雾24H、外壳盐雾24H.



步步精科技



6	外壳	SUS304 H T=0.15mm~ 镀镍底30u”~双压片平脚	1Pcs
5	拉杆	SUS304~去磁	1Pcs
4	滑块	LCP~黑色	1Pcs
3	弹簧	SWP-B	1Pcs
2	端子	C5191 T=0.15mm~Ni30u 焊脚镀锡80u 接触区镀金0.5u	1Pcs
1	主体	LCP~黑色~	1Pcs
No.	品名	规格	数量



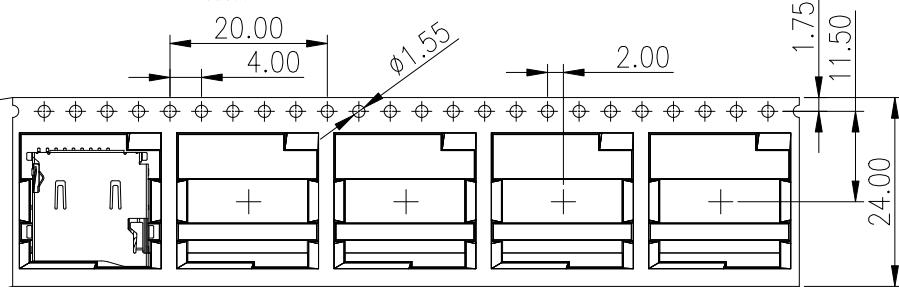
(RECOMMENDED/P.C.B)HOLE LAYOUT
COMPONENT SIDE VIEW TOLERANCE:±0.05

NO.	ASSIGNMENT	THIS DOCUMENT IS THE SOLE PROPERTY OF BBJconn Technology Co.,Ltd. CORPORATION AND SHOULD NOT BE USED IN WHOLE OR IN PART WITHOUT PRIOR WRITTEN PERMISSION.	深圳市步步精科技有限公司 .X: ±0.38 X': ±3' .XX: ±0.25 .X': ±2' .XXX: ±0.13 .XX': ±1'	NAME: TF卡座 外焊9Pin H=1.85 贴片带柱 双弹片外壳 平脚镀镍(C-1100079610-00)
1#	DAT2	PDWG.NO: 0023-1		APPD.: JM_Zheng CHKD.: TSP DR.: LYX
2#	CD/DAT3			PJ. NO.: CD.01.02-13-0003 SIZE: A4 DRW NO.:
3#	CMD			FINISH: SEE NOTES MAT'L.: SEE NOTES
4#	VDD			SCALE: N/A REV.: A3 UNIT: mm PAGE: 1/2
9#	CD			
5#	CLK			
6#	VSS			
7#	DAT0			
8#	DAT1			

REV.	ECN NO.	CONTENT	DATE	ENGINEER
A0				

A
B
C
D
E

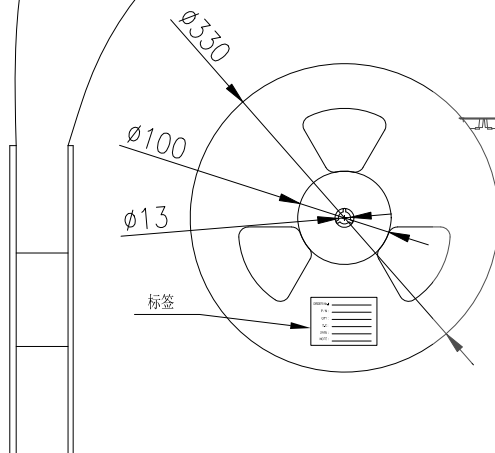
← 包装方向 客户使用方向 →



NOTES

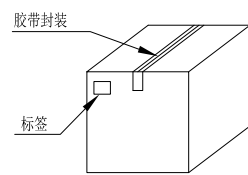
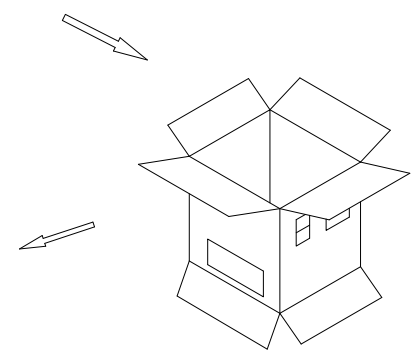
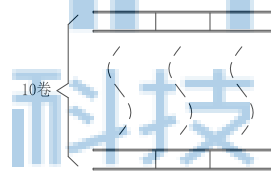
- 每卷包装数量:1000PCS/每卷
- 卷带包装方式:
空10PCS 产品1000PCS 空10PCS
轴心段空200mm 产品放置区 尾部 200mm
- 每箱包装数量:10000PCS/箱
- 重量 :
4.1 净重 : Kg
4.2 毛重 : Kg

盖带剥离角度:165°~180°
剥离力:20~130g



Since 1987

步步精科技



THIS DOCUMENT IS THE SOLE PROPERTY OF BBJconn Technology Co.,Ltd Corporation AND SHOULD NOT BE USED IN WHOLE OR IN PART WITHOUT PRIOR WRITTEN PERMISSION.		深圳市步步精科技有限公司	
PDWG.NO: 0023-1	DR. LYX	.X: ±0.38 .X': ±3" .XX: ±0.25 .X': ±2" .XXX: ±0.13 .XX': ±1"	NAME: TF卡座 外焊9Pin H=1.85 贴片带柱 双弹片外壳 平脚镀镍(C-1100079610-00) APPD. JM_Zheng CHKD. TSP PJ. NO.: CD.01.02-13-0003 SIZE: A4 DRW NO.: FINISH: SEE NOTES MAT'L.: SEE NOTES SCALE: N/A REV.: A3 UNIT: mm PAGE: 2/2

1 2 3 4 5 6 7 8