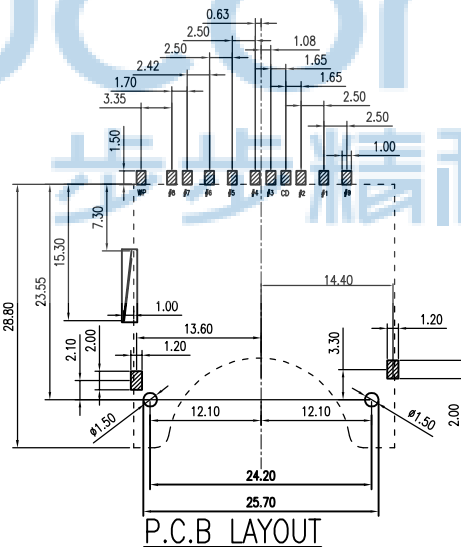
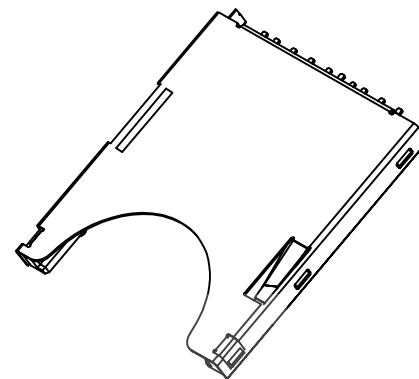
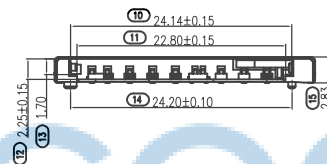
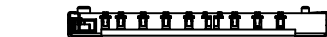
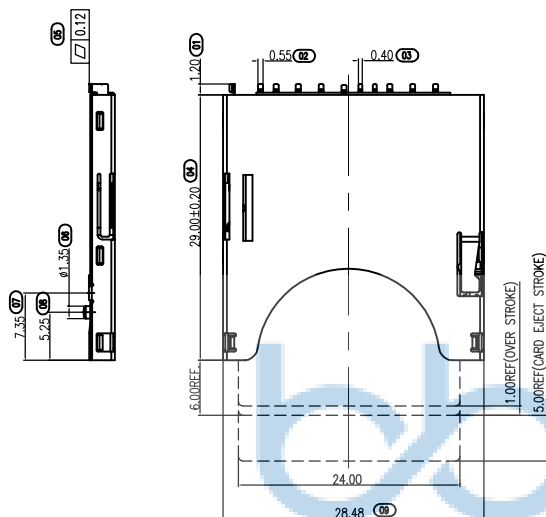


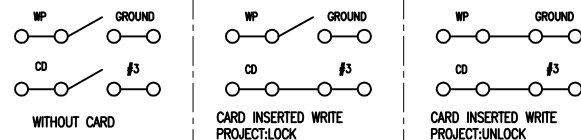
NOTE:

- MATERIAL:
HOUSING: HIGH TEMPERATURE PLASTIC UL94V-0
COLOR:BLACK
CONTACT: COPPER ALLOY
SHELL: SUS304
- PLATING :
TERMINAL:
CONTACT AREA: GOLD FLASH.
SOLDER AREA: MATTE TIN PLATED.
UNDER PLATE: NICKEL.
SHELL: NICKEL PLATED OVER ALL.
SOLDER AREA: GOLD FLASH.
- PART MUST COMPLY ROHS SPECIFICATION



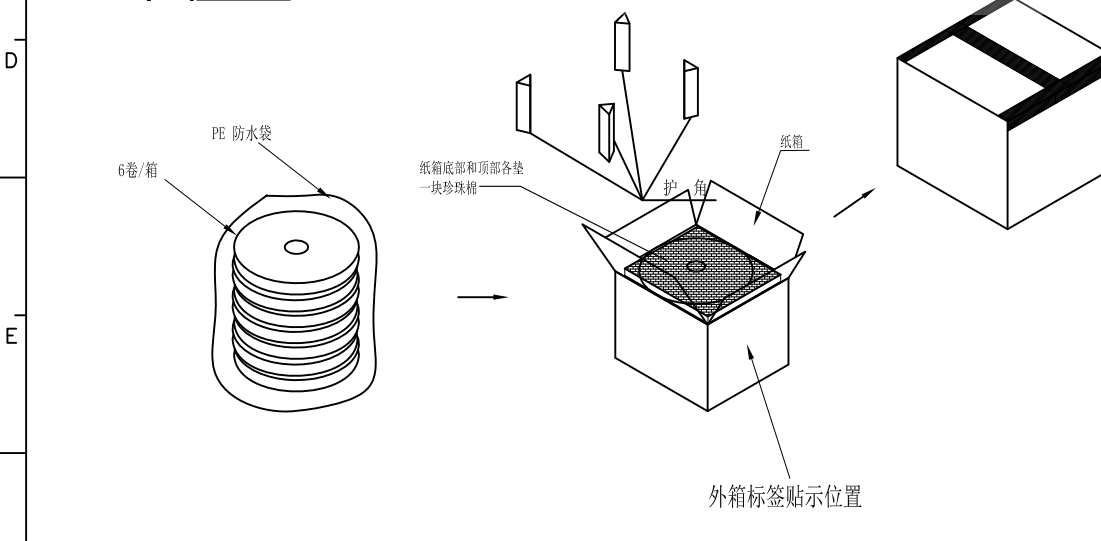
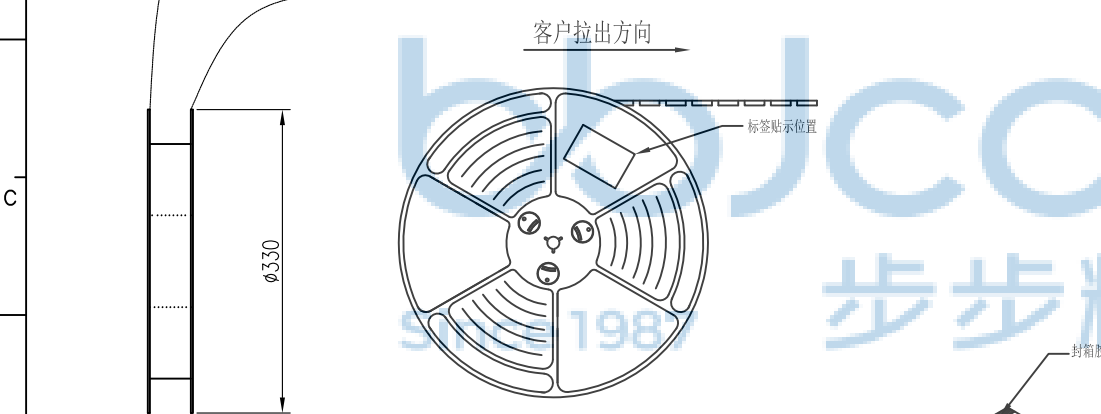
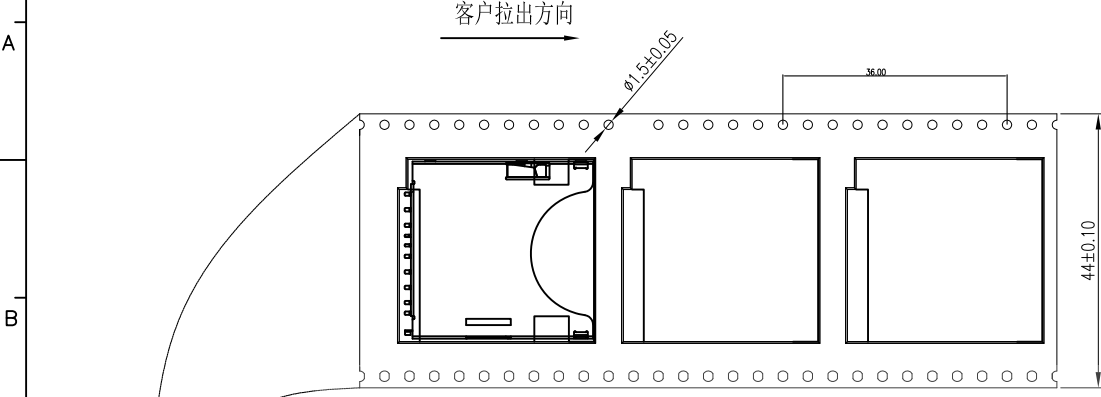
PIN NO.	NAME	TYPE	DESCRIPTION
#1	CD/DAT3	I/O/PP	CARD DETECT/DATA LINE(BIT3)
#2	CMD	PP	COMMAND/RESPONSE
#3	VSS1	S	SUPPLY VOLTAGE GROUND
#4	VDD	S	SUPPLY VOLTAGE
#5	CLK	I	CLOCK
#6	VSS2	S	SUPPLY VOLTAGE GROUND
#7	DAT0	I/O/PP	DATA LINE(BIT 0)
#8	DAT1	I/O/PP	DATA LINE(BIT 1)
#9	DAT2	I/O/PP	DATA LINE(BIT 2)

CIRCUIT



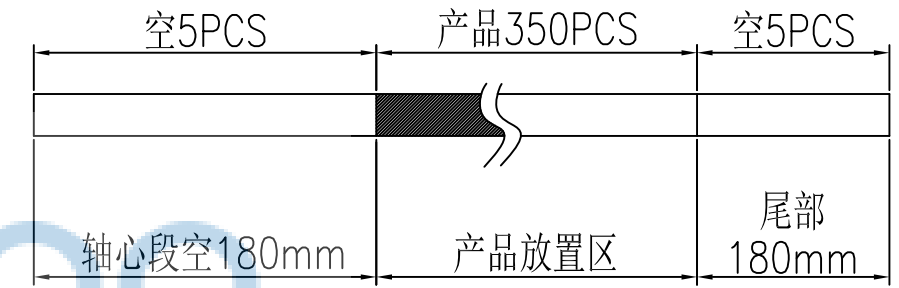
THIS DOCUMENT IS THE SOLE PROPERTY OF BBJconn Technology Co.,Ltd. Corporation AND SHOULD NOT BE USED IN WHOLE OR IN PART WITHOUT PRIOR WRITTEN PERMISSION.		深圳市步步精科技有限公司 .X: ±0.38 .X': ±3" .XX: ±0.25 .X": ±2" .XXX: ±0.13 .XX": ±1"		NAME: 卡座 TF PUSH 板上内焊 带柱 9P	
APPD.	JM_Zheng	PJ. NO.: CD.01.02-13-0005		SIZE: A4 DRW NO.:	
CHKD.	LYX	FINISH: SEE NOTES		MAT'L.: SEE NOTES	
PDWG.NO:	0302-1	DR.	SGF	SCALE: N/A	REV.: A0 UNIT: mm PAGE: 1/2

REV.	ECN NO	CONTENT	DATE	ENGINEER
A0		Initial release	/	SGF



NOTES

1. 每卷包装数量:350PCS/每卷
2. 卷带包装方式:



3. 每箱包装数量:2100PCS/箱



THIS DOCUMENT IS THE SOLE PROPERTY OF BBJconn Technology Co.,Ltd. Corporation AND SHOULD NOT BE USED IN WHOLE OR IN PART WITHOUT PRIOR WRITTEN PERMISSION.		深圳市步步精科技有限公司	
.X: ±0.38 .XX: ±0.25 .XXX: ±0.13		X*: ±3* .X*: ±2* .XX*: ±1*	
APPD.	JM_Zheng	NAME: 卡座 TF PUSH 板上内焊 带柱 9P	
CHKD.	LYX	PJ. NO.: CD.01.02-13-0005 SIZE: A4 DRW NO.:	
PDWG.NO:	0302-1	FINISH: SEE NOTES MAT'L.: SEE NOTES	
DR.	SGF	SCALE: N/A REV.: A0 UNIT: mm PAGE: 2/2	