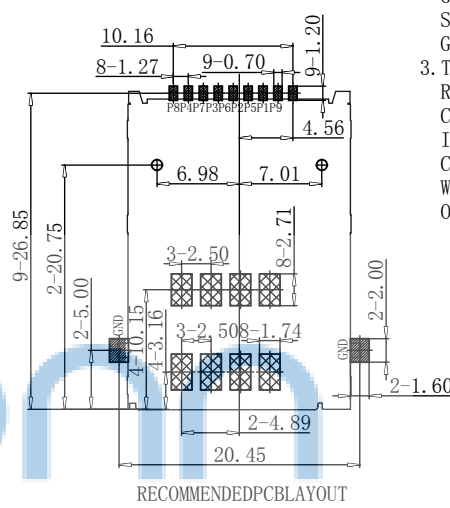
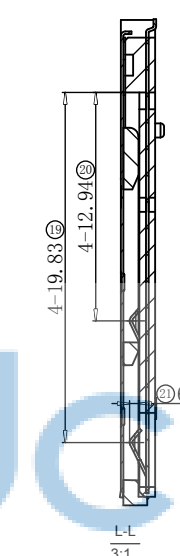
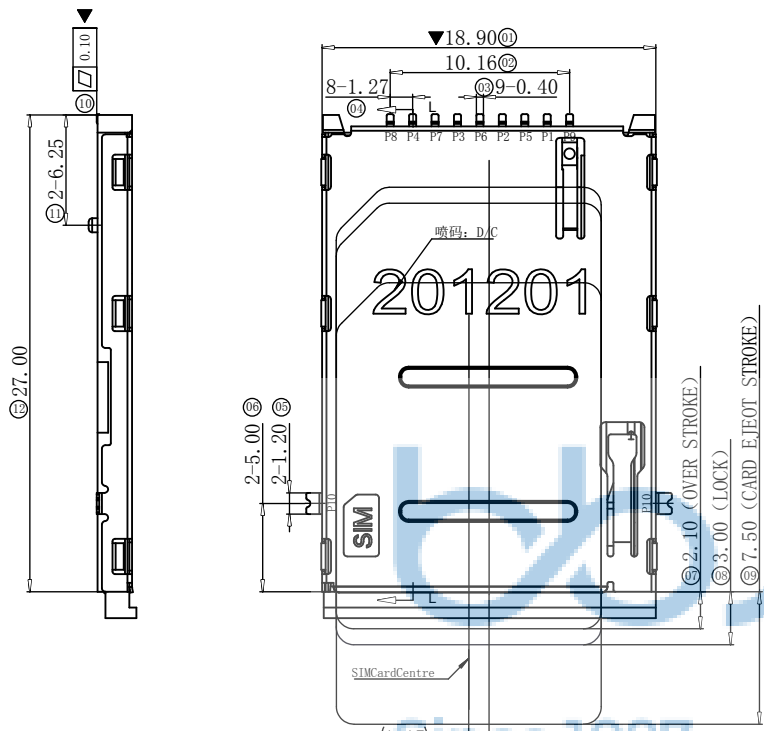


REV.	ECN NO	CONTENT	DATE	ENGINEER
AO				

NOTES:

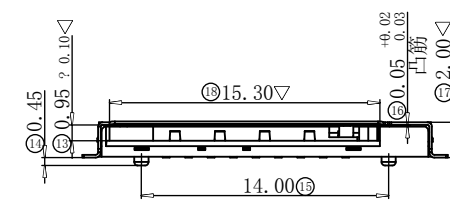
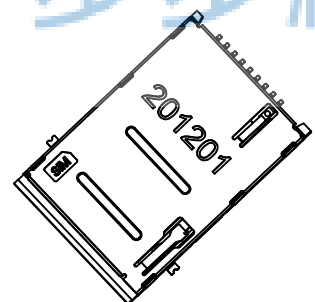
- MATERIAL:  
HOUSING: High Temperature Thermoplastic  
Terminal: Copper Alloy  
Shell: Stainless Steel
- PLATING:  
Terminal: 50u"Ni UNDERPLATED OVERALL  
G/F PLATED ON CONTACT AREA AND SOLDER AREA  
Shell: 50u"Ni UNDERPLATED OVERALL  
G/F PLATED ON CONTACT AREA AND SOLDER AREA
- TECHNICAL SPECIALITY:  
RATED VOLTAGE: 30VAC MAX.  
CURRENT RATING: 0.5A MAX.  
INSULATION RESISTANCE: 1000MΩ MIN  
CONTACT RESISTANCE: 50mΩ MAX  
WITHSTANDING VOLTAGE: 500VAC FOR 1 MINUTES  
OPERATING TEMPERATURE: -40°C ~ +85°C Humidity 80%RH MAX



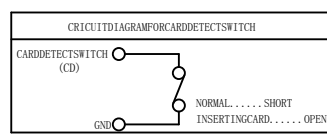
TOLERANCE: ±0.05

- SMT SOLDER AREA
- COPPER RESTRICTED AREA

1. TOUCH AREA OF CONTACT TIPS NO ELECTRICAL FUNCTION  
2. NO FIRST PCB LAYOUT CIRCUITS IN THE AREA



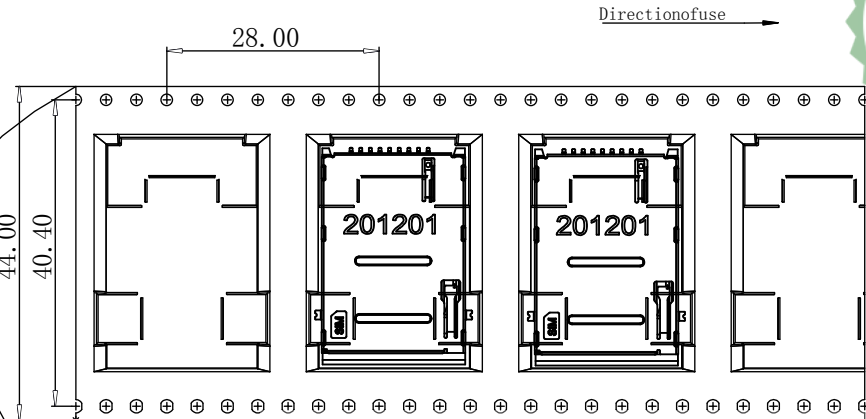
PIIN/NO	ASSIGNMENT
P1	VCC
P2	RST
P3	CLK
P4	Reserved
P5	GND
P6	VPP
P7	I/O
P8	Reserved
P9	Detect Switch
P10	GND



THIS DOCUMENT IS THE SOLE PROPERTY OF BBJconn Technology Co., Ltd. Corporation AND SHOULD NOT BE USED IN WHOLE OR IN PART WITHOUT PRIOR WRITTEN PERMISSION.		深圳市步步精科技有限公司 NAME: 卡座 SIM 8PIN P-P 贴片 带柱 H=2.0 PJ. NO.: 142-220-080001-V8G SIZE: A4 DRW NO.: FINISH: SEE NOTES MAT'L.: SEE NOTES SCALE: N/A REV.: AO UNIT: mm PAGE: 1/2	
PDWG. NO: 0302-1	DR. TSP	APPD. JM_Zheng	CHKD. LYX

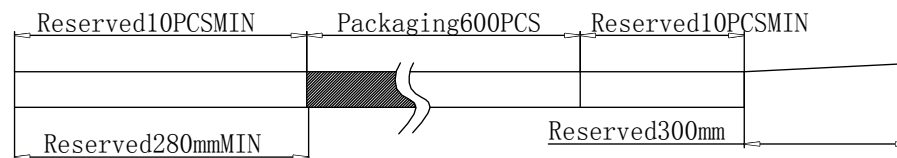


REV.	ECN NO	CONTENT	DATE	ENGINEER
AO				

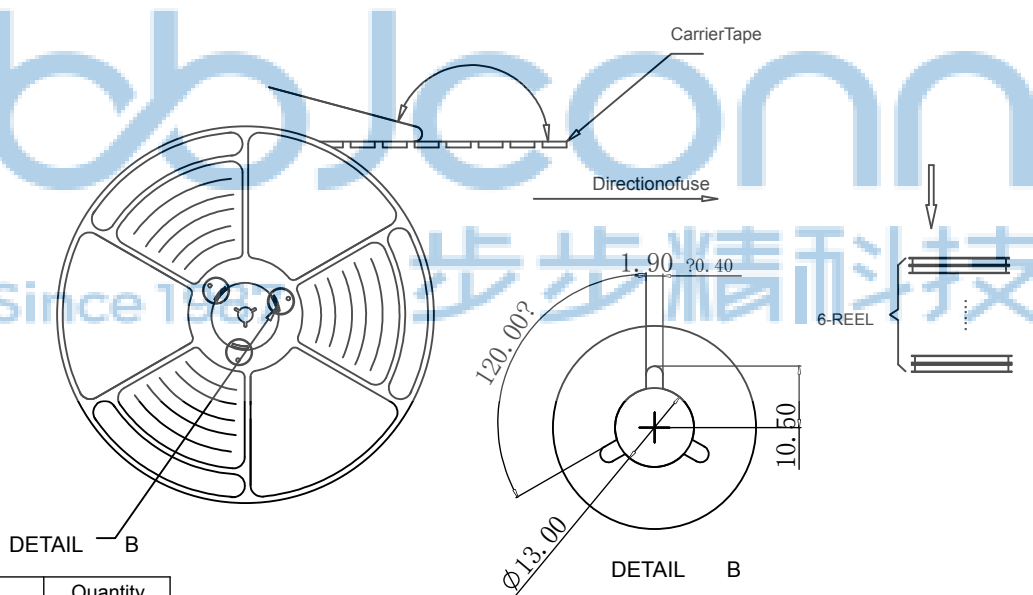


NOTES:

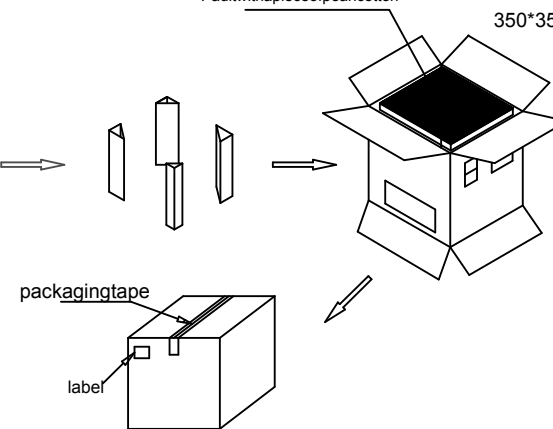
- 1、Packing quantity per plate: 600PCS/Plate
- 2、Loading and packing method



- 3、Total packaging: 3600PCS/Box



The bottom and top of the carton Pad with a piece of pearl cotton  
BOX 350\*350\*340mm



Description	Quantity
Carrierband (Black, PETW=44PH=28,T=0.3)	104.16m
Box (K=K,T=7.0,350*350*340)	1PCS
PEBag (T=0.08mm, 730*760*730)	1PCS
Self-adhesive (W=37.50)	105.96m
Beam (K=K, T=7.0,95*95*290)	4PCS
PearlWool (340*340*18)	2PCS
REEL (BLUE, 13Inches*44mm, φ330)	6PCS
2.0H8PINP-PSIM卡座	3600PCS



THIS DOCUMENT IS THE SOLE PROPERTY OF BBJconn Technology Co.,Ltd. Corporation AND SHOULD NOT BE USED IN WHOLE OR IN PART WITHOUT PRIOR WRITTEN PERMISSION.		深圳市步步精科技有限公司 .X: ±0.38 .X': ±3" .XX: ±0.25 .X": ±2" .XXX: ±0.13 .XX': ±1"	
APPD.	JM_Zheng	NAME:	卡座 SIM 8PIN P-P 贴片 带柱 H=2.0
CHKD.	LYX	PJ. NO.:	142-220-080001-V8G
DR.	TSP	SIZE:	A4 DRW NO.:
PDWG.NO:	0302-1	FINISH:	SEE NOTES
		MAT'L.:	SEE NOTES
		SCALE:	N/A
		REV.:	AO
		UNIT:	mm
		PAGE:	2/2