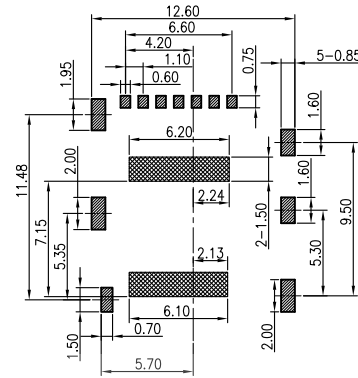
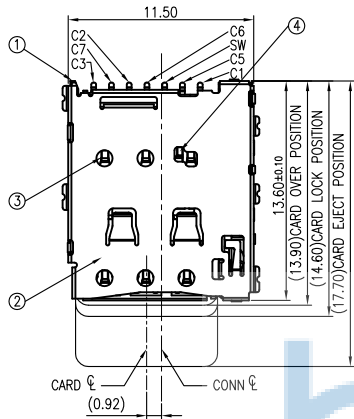


REV.	ECN NO.	CONTENT	DATE	ENGINEER
A0		Initial release	/	SGF

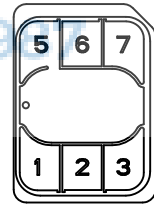
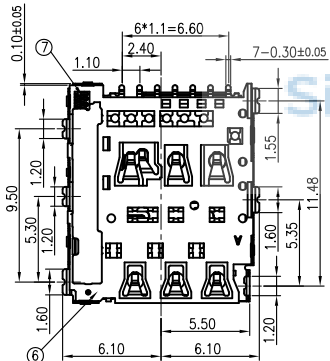


RECOMMENDED PCB LAYOUT
ALL TOLERANCE ±0.05MM

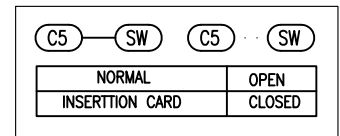
■ SMT SOLDER AREA.
■ NO PATTERN AREA

NOTES:

- FINISH:
 - CONTACT: 50u"MIN NICKEL UNDER PLATED, G/F MIN GOLD PLATING ON CONTACT AREA, GOLD FLASH PLATING ON SOLDERING AREA
 - SHELL: 30u"MIN NICKEL UNDER PLATED; G/F MIN GOLD PLATING ON SOLDERING AREA.
- ELECTRICAL REQUIREMENTS:
 - RATED CURRENT: 0.5A
 - CONTACT RESISTANCE: 100mΩ MAX
 - INSULATION RESISTANCE: 1000MΩ MIN 250V DC FOR 1 MINUTE
 - DIELECTRIC WITHSTANDING VOLTAGE: 500V AC FOR 1 MINUTE.
- MECHANICAL REQUIREMENTS: DURABILITY: 3000 CYCLES MIN.
- ENVIRONMENTAL REQUIREMENTS:
 - OPERATING TEMP: -30°C ~ +85°C
 - STORAGE TEMP: -40°C ~ +85°C
- RECOMMENDED PROCESS CONDITION: IR-REFLOW, PEAK TEMPERATURE AND TIME: 250°C, 5-10S
- METALMASK THICKNESS 0.10MM MIN



Nano SIM Circuit Description:	
PIN No.	FUNCTION
C1	VCC
C2	RST
C3	CLK
C5	GND
C6	VPP
C7	I/O



NO.	DESCRIPTION	QTY	Material
7	SPRING	1	THERMOPLASTIC RATING UL94V-0
6	LINK	1	STAINLESS STEEL
5	SLIDE	1	STAINLESS STEEL
4	DETECT PIN	1	COPPER ALLOY
3	CONTACT	1	COPPER ALLOY
2	SHELL	1	STAINLESS STEEL
1	HOUSING	1	LCP UL94V-0



THIS DOCUMENT IS THE SOLE PROPERTY OF BBJconn Technology Co., Ltd. Corporation AND SHOULD NOT BE USED IN WHOLE OR IN PART WITHOUT PRIOR WRITTEN PERMISSION.

PDWG.NO: 0302-1

DR. SGF

APPD. JM_Zheng

CHKD. LYX

NAME: 深圳市步步精科技有限公司
卡座 NANO SIM PUSH CONN 贴片 无柱 H=1.24

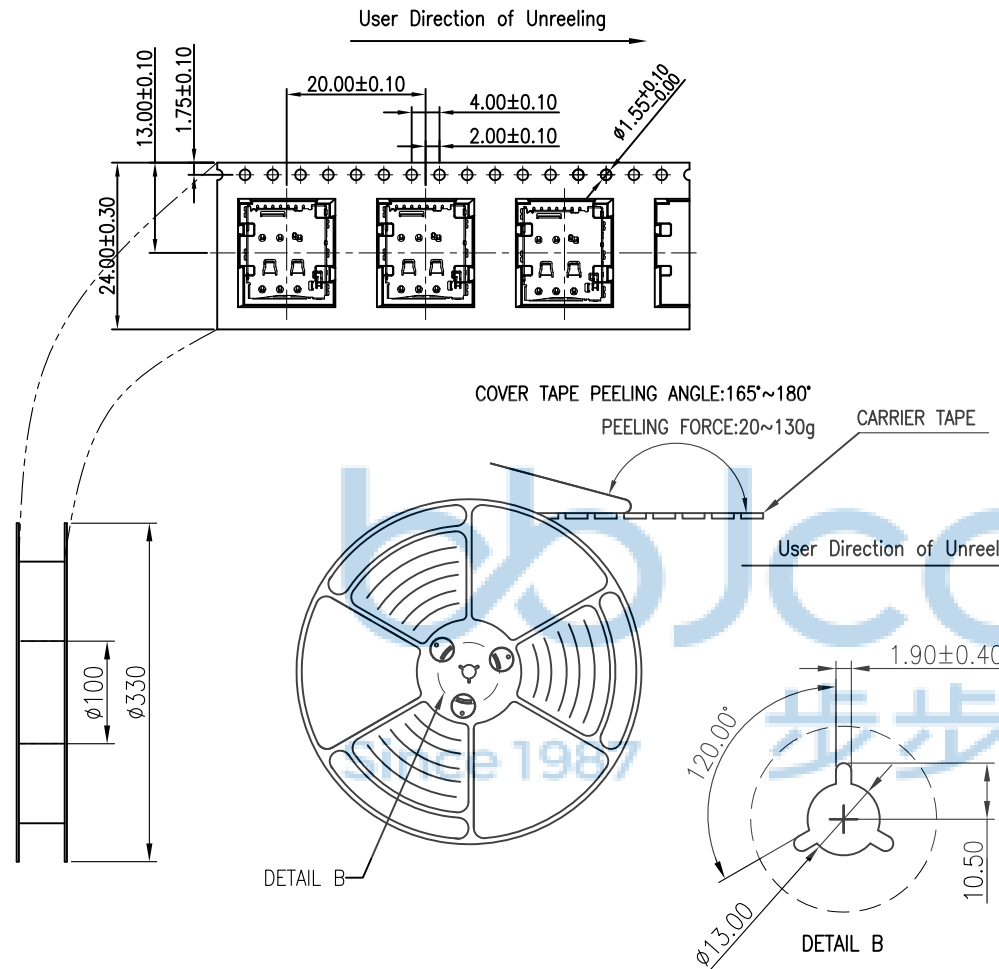
PJ. NO.: 142-204-070001-V8G

SIZE: A4 DRW NO.:

FINISH: SEE NOTES MAT'L.: SEE NOTES

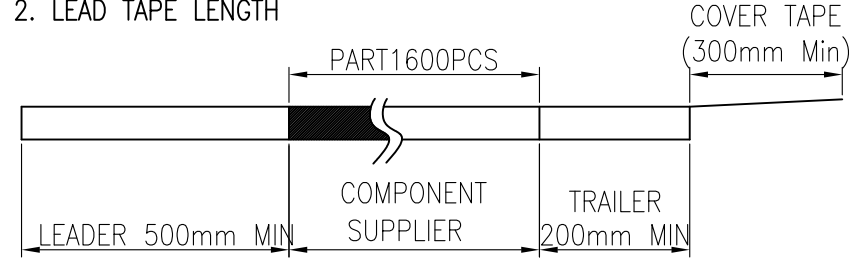
SCALE: N/A REV.: A0 UNIT: mm PAGE: 1/2

REV.	ECN NO	CONTENT	DATE	ENGINEER
A0		Initial release	/	SGF

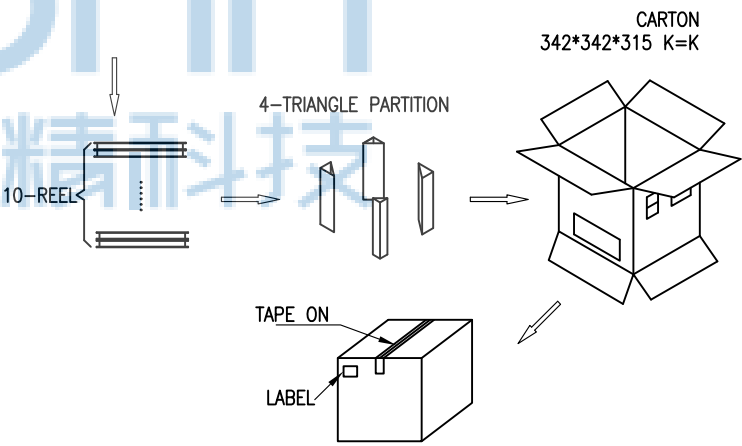
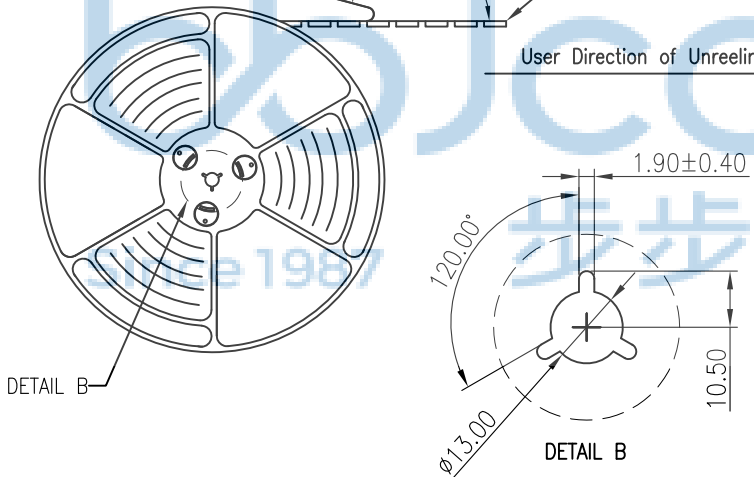


NOTES

1. NUMBER OF CONNECTORS:1600PCS/REEL
2. LEAD TAPE LENGTH



3. QUANTITY: 16000PCS/CARTON



THIS DOCUMENT IS THE SOLE PROPERTY OF BBJconn Technology Co.,Ltd. Corporation AND SHOULD NOT BE USED IN WHOLE OR IN PART WITHOUT PRIOR WRITTEN PERMISSION.		深圳市步步精科技有限公司 .X: ±0.38 .X': ±3' .XX: ±0.25 .X': ±2' .XXX: ±0.13 .XX': ±1'		NAME: 卡座 NANO SIM PUSH CONN 贴片 无柱 H=1.24	
APPD.	JM_Zheng	PJ. NO.: 142-204-070001-V8G		SIZE: A4 DRW NO.:	
CHKD.	LYX	FINISH: SEE NOTES MAT'L.: SEE NOTES		SCALE: N/A REV.: A0 UNIT: mm PAGE: 2/2	
PDWG.No:	0302-1	DR.	SGF		