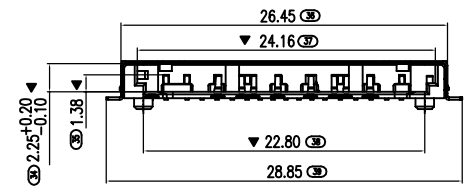
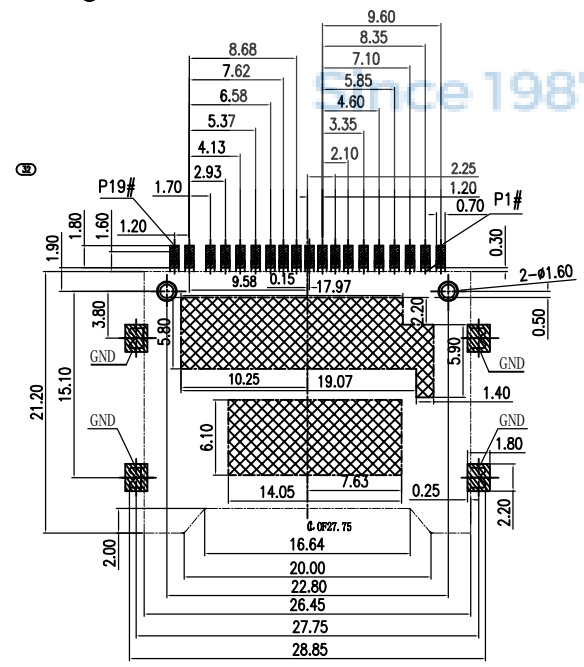
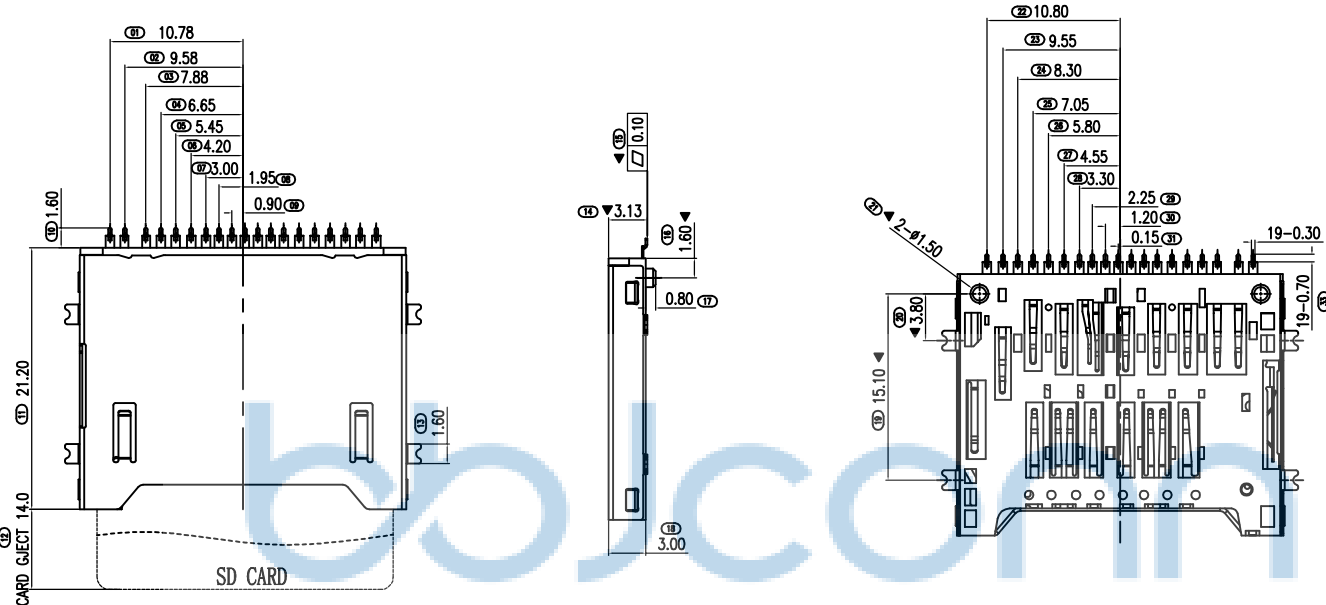


REV.	ECN NO.	CONTENT	DATE	ENGINEER
A0		Initial release	/	SGF

NOTES:
MATERIAL:
 Insulator: High Temperature Thermoplastic(Lcp),
 Contact: Copper Alloy (C5191)
 Shell: STAINLESS(SUS 304)
PLATING:
 Contact: Plated Ni , contact point gold plated G/F, welding feet Matte tin
 Shell: Plated Ni Overall Plated G/F Selective Contact Area
Electrical:
 1. All Dimensions are in Millimeters.
 2. Operation voltage: 10 VAC max.
 3. Current rating : 1 Amps max.
 4. Contact resistance: 100m ohms max.
 5. Insulation resistance: 1000M ohms min. 500 VDC
 6. Dielectric withstanding voltage: 500 VAC / 1minute
 7. Operating Temperature: -20° C to +60° C
 8. Storage Temperature: -40° C to +70° C
 9. Durability 5000 cycles.



PIN DEFINE:

PIN#	NAME	DESCRIPTION	PIN#	NAME	DESCRIPTION
1	VSS3	GROUND	11	VDD1	SUPPLY VOLTAGE
2	DAT2	DATA LINE BIT2	12	D1-	DIFFERENTIAL DATE 1-
3	DO+	DIFFERENTIAL DATE 0+	13	CLK	CLOCK
4	CD/DAT3	CARD DETECT/DATA LINE BIT3	14	D1+	DIFFERENTIAL DATE 1+
5	DO-	DIFFERENTIAL DATE 0-	15	VSS2	SUPPLY VOLTAGE GROUND
6	CMD	COMMAND/RESPONSE	16	VSS5	GROUND
7	CD	CARD DETECT	17	DAT0	DATA LINE BIT0
8	VSS1	SUPPLY VOLTAGE GROUND	18	DAT1	DATA LINE BIT1
9	VSS4	GROUND	19	WP	WRITE PROTECT
10	VDD2	SUPPLY VOLTAGE (1.8V)			

RECOMMENDER PCB LAYOUT
TOLERANCE UNLESS OTHERWISE IS ±0.05

THIS DOCUMENT IS THE SOLE PROPERTY OF BBJconn Technology Co.,Ltd. Corporation AND SHOULD NOT BE USED IN WHOLE OR IN PART WITHOUT PRIOR WRITTEN PERMISSION.

PDWG.NO: 0302-1

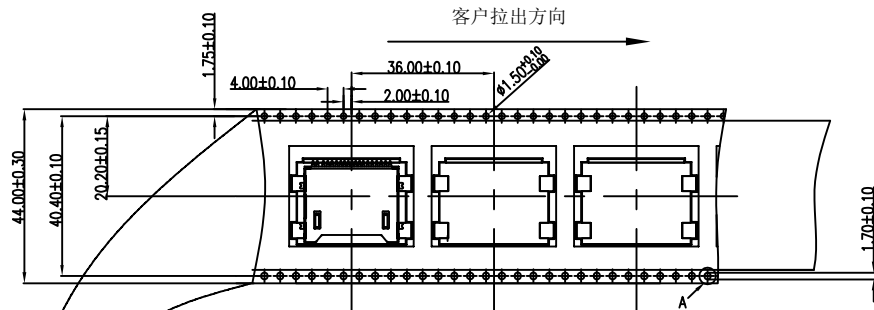
APPD. JM_Zheng
CHKD. LYX
DR. SGF

NAME: 卡座 19P H3.13 SD 4.0 板上 NO PUSH 四脚贴片 带柱

PJ. NO.: 142-313-190001-V8G
SIZE: A4 | DRW NO.:
FINISH: SEE NOTES | MAT'L.: SEE NOTES
SCALE: N/A | REV.: A0 | UNIT: mm | PAGE: 1/2

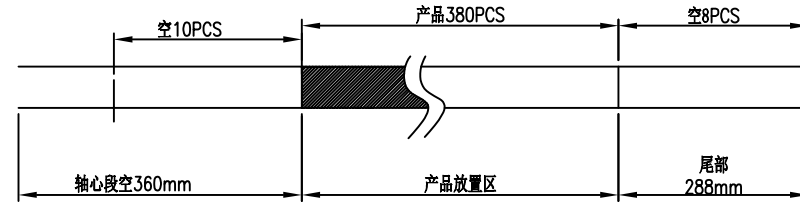
深圳市步步精科技有限公司

REV.	ECN NO.	CONTENT	DATE	ENGINEER
A0		Initial release	/	SGF

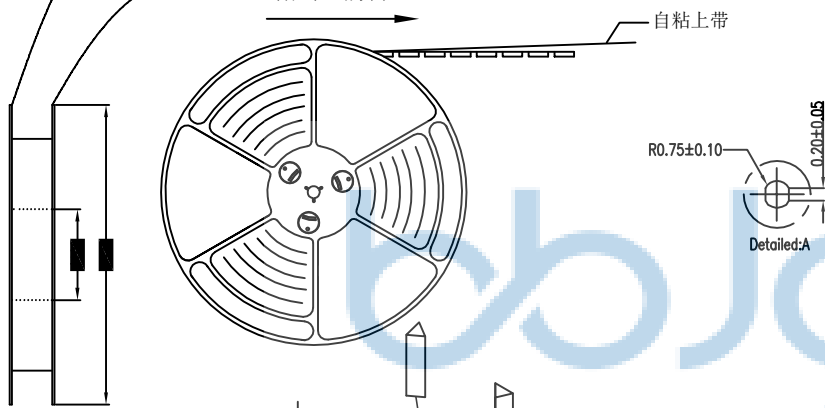


NOTES

1. 每卷包装数量: 380PCS/每卷
2. 卷带包装方式:



3. 每箱包装数量: 2280PCS/箱
4. 纸箱 350mm*350mm*340mm, 材质K=K

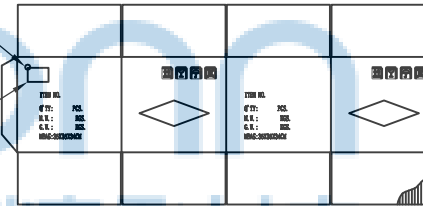


RoHS 绿色环保标签

标签贴在纸箱左上角

封箱胶带

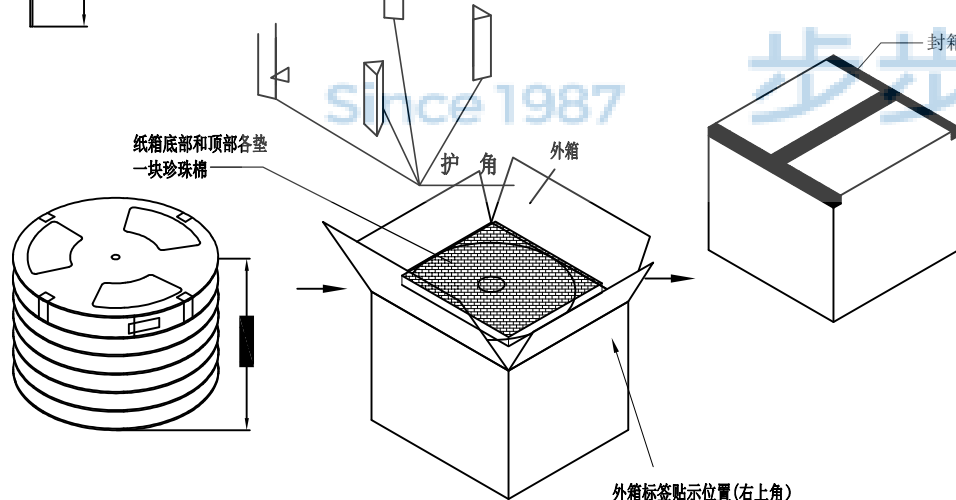
纸箱示意图



纸箱底部和顶部各垫一块珍珠棉

将6卷产品放入箱内

外箱标签贴位置(右上角)



THIS DOCUMENT IS THE SOLE PROPERTY OF BBJconn Technology Co., Ltd. Corporation AND SHOULD NOT BE USED IN WHOLE OR IN PART WITHOUT PRIOR WRITTEN PERMISSION.		深圳市步步精科技有限公司	
PDWG.NO: 0302-1	APPD. JM_Zheng	NAME: 卡座 19P H3.13 SD 4.0 板上 NO PUSH 四脚贴片 带柱	PJ. NO.: 142-313-190001-V8G
	CHKD. LYX	SIZE: A4	DRW NO.:
	DR. SGF	FINISH: SEE NOTES	MAT'L.: SEE NOTES
		SCALE: N/A	REV.: A0
		UNIT: mm	PAGE: 2/2