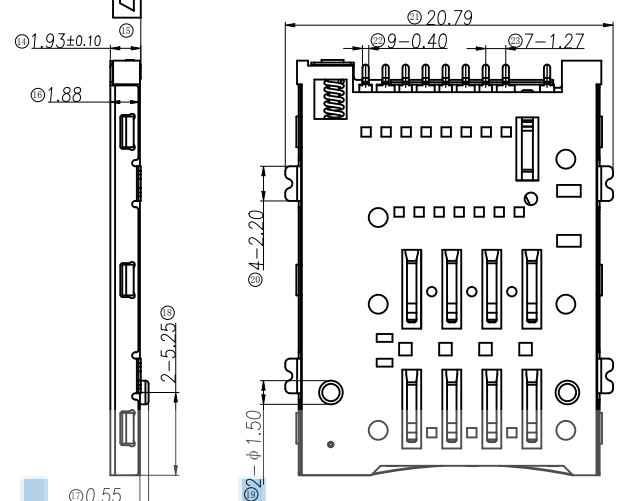
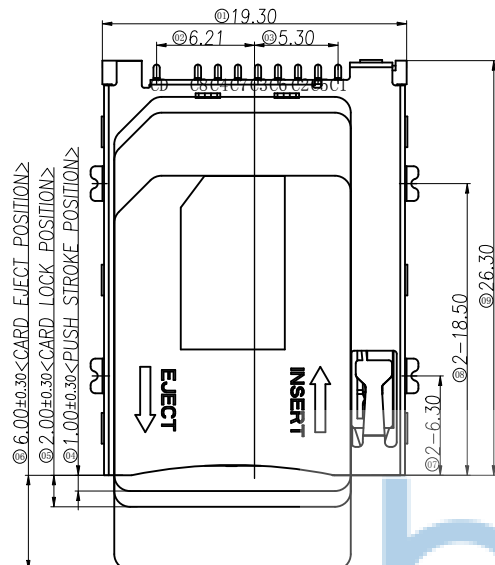
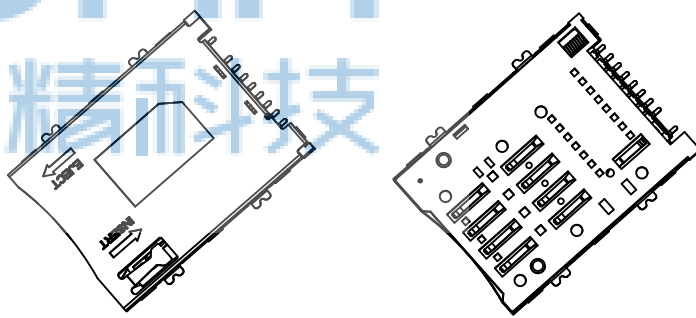
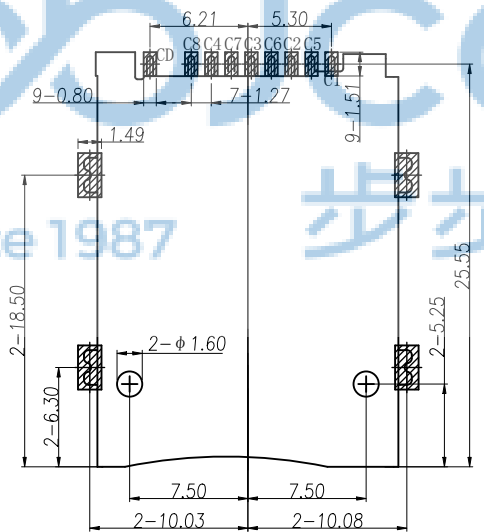
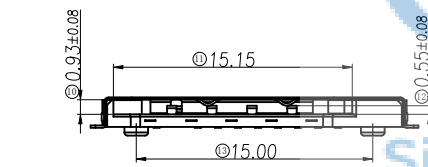


REV.	ECN NO.	CONTENT	DATE	ENGINEER
AO				



NOTES:
 1. MATERIAL:
 HOUSING: High Temperature Thermoplastic
 Terminal: Copper Alloy
 Shell: Stainless Steel
 2. PLATING:
 Terminal: 50u" Ni UNDERPLATED OVERALL
 G/F PLATED ON CONTACT AREA AND SOLDER AREA
 Shell: 50u" Ni UNDERPLATED OVERALL
 G/F PLATED ON CONTACT AREA AND SOLDER AREA
 3. TECHNICAL SPECIALITY:
 RATED VOLTAGE: 30VACMAX.
 CURRENT RATING: 0.5AMAX.
 INSULATION RESISTANCE: 1000M Ω MIN
 CONTACT RESISTANCE: 50m Ω MAX
 WITHSTANDING VOLTAGE: 500VAC FOR 1 MINUTES
 OPERATING TEMPERATURE: -40°C ~ +85°C Humidity 80%R.HMAX

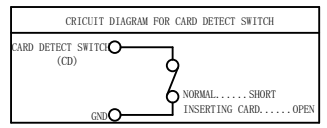


PIIN/NO	ASSIGNMENT
C1	VCC
C2	RST
C3	CLK
C4	RESERVED
C5	GND
C6	VPP
C7	I/O
C8	RESERVED
CD	Detect Switch

RECOMMENDED PCB LAYOUT

TOLERANCE: ± 0.05

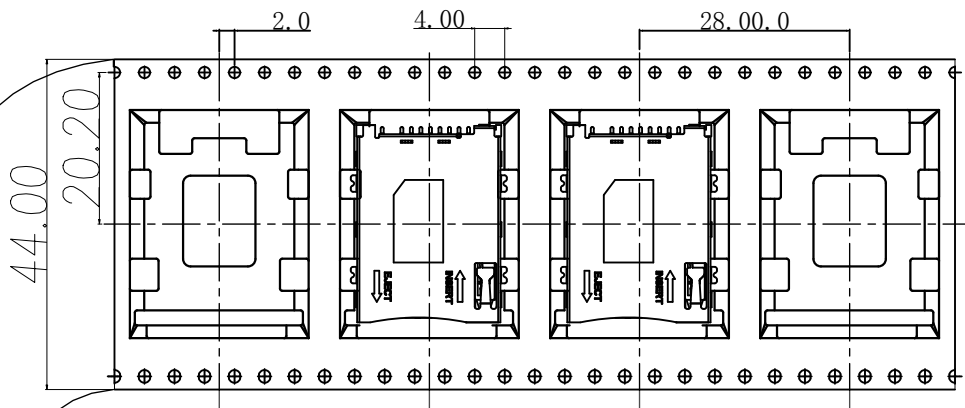
- SMT SOLDER AREA
- COPPER RESTRICTED AREA
- 1. TOUCH AREA OF CONTACT TIPS NO ELECTRICAL FUNCTION
- 2. NO FIRST PCB_LAYOUT CIRCUITS IN THE AREA



THIS DOCUMENT IS THE SOLE PROPERTY OF BBJconn Technology Co.,Ltd. Corporation AND SHOULD NOT BE USED IN WHOLE OR IN PART WITHOUT PRIOR WRITTEN PERMISSION.		深圳市步步精科技有限公司	
PDWG.NO: 0302-1		NAME: 卡座 Push-Push SIM Card H=1.93 8P 带CD 贴片 带柱	
APPD. JM_Zheng	CHKD. LYX	PJ. NO.: CD.02.02-13-0013	
DR. TSP	SCALE: N/A	REV.: AO	UNIT: mm
			PAGE: 1/2

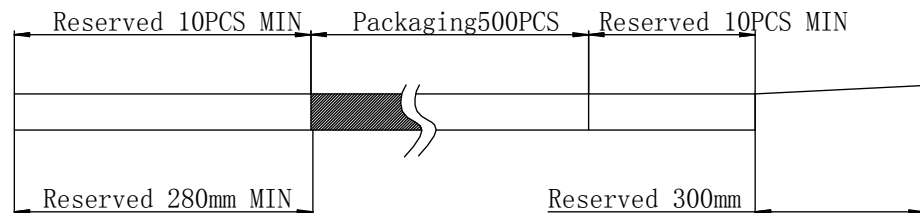
REV.	ECN NO.	CONTENT	DATE	ENGINEER
AO				

Direction of use →

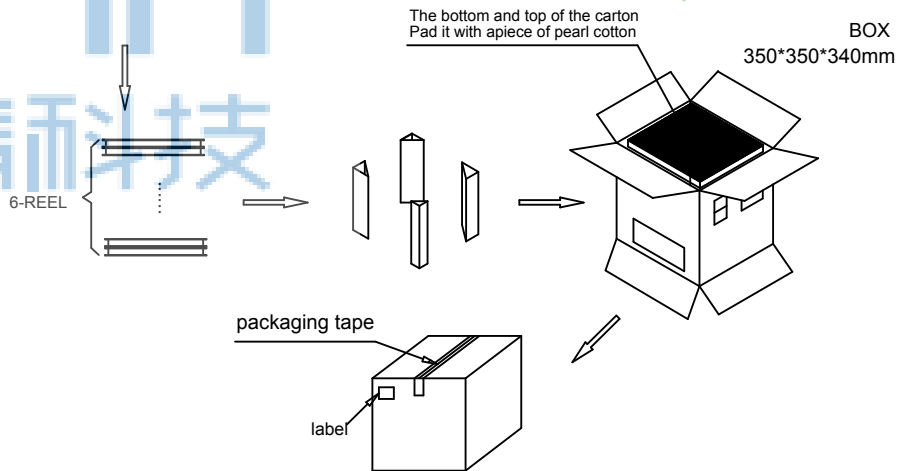
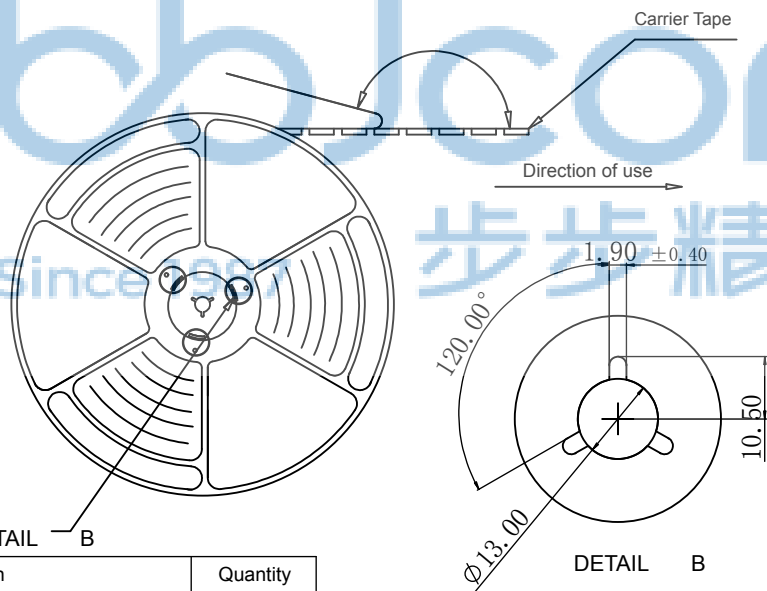
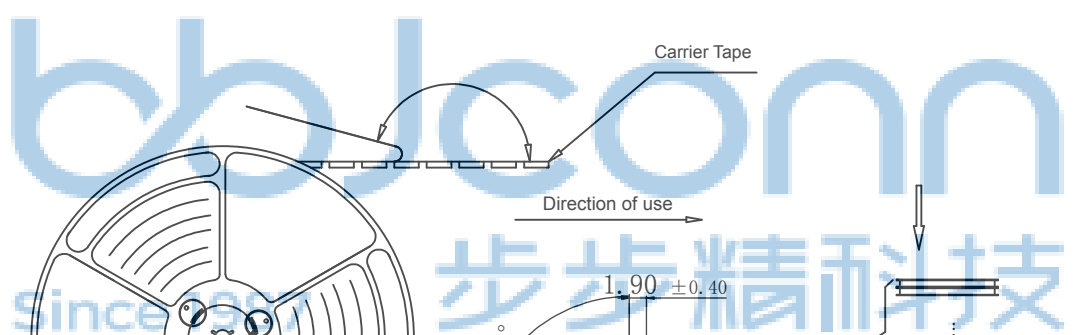


NOTES:

- 1、Packing quantity per plate: 500PCS/Plate
- 2、Loading and packing method



- 3、Total packaging: 3000PCS/Box



PartNumber	Description	Quantity
303020164	Carrierband (Lucent, PET W=44 PH=28,T=0.3)	87.36m
303040009	Box (K=K,T=7.0,350*350*340)	1PCS
303060001	PE Bag (T=0.08mm, 730*760*730)	1PCS
303070023	Self-adhesive (W=37.50)	89.16m
303110001	Beam (K=K, T=7.0,95*95*290)	4PCS
303130001	PearlWool (340*340*18)	2PCS
303180015	REEL (BLUE, 13Inches*44mm, φ330)	6PCS
102014892	1.93H PUSH-PUSH SIM CARD	3000PCS



THIS DOCUMENT IS THE SOLE PROPERTY OF BBJconn Technology Co.,Ltd. Corporation AND SHOULD NOT BE USED IN WHOLE OR IN PART WITHOUT PRIOR WRITTEN PERMISSION.		深圳市步步精科技有限公司	
PDWG:NO: 0302-1		NAME: 卡座 Push-Push SIM Card H=1.93 8P 带CD 贴片 带柱	
APPD. JM_Zheng	CHKD. LYX	PJ. NO.: CD.02.02-13-0013	
DR. TSP		SIZE: A4 DRW NO.:	
		FINISH: SEE NOTES MAT'L.: SEE NOTES	
		SCALE: N/A	REV.: AO UNIT: mm PAGE: 2/2