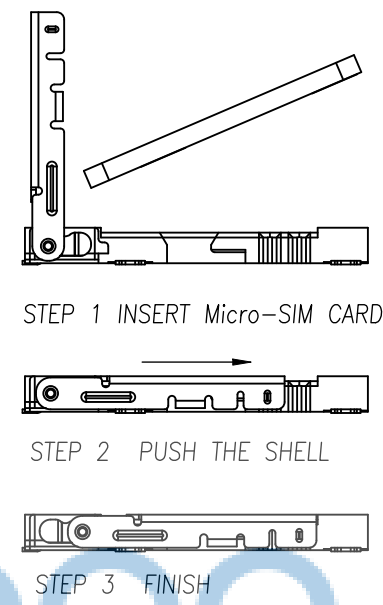
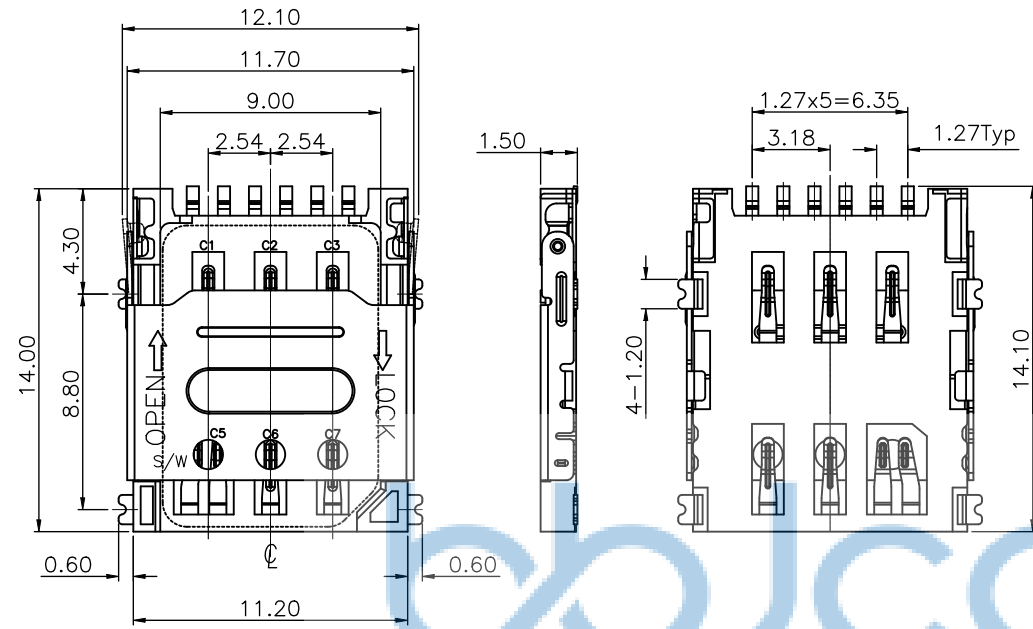
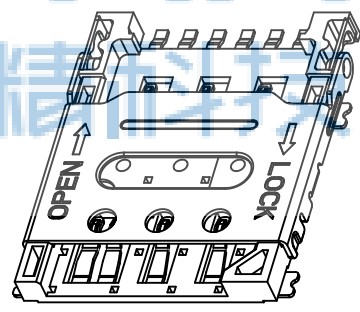
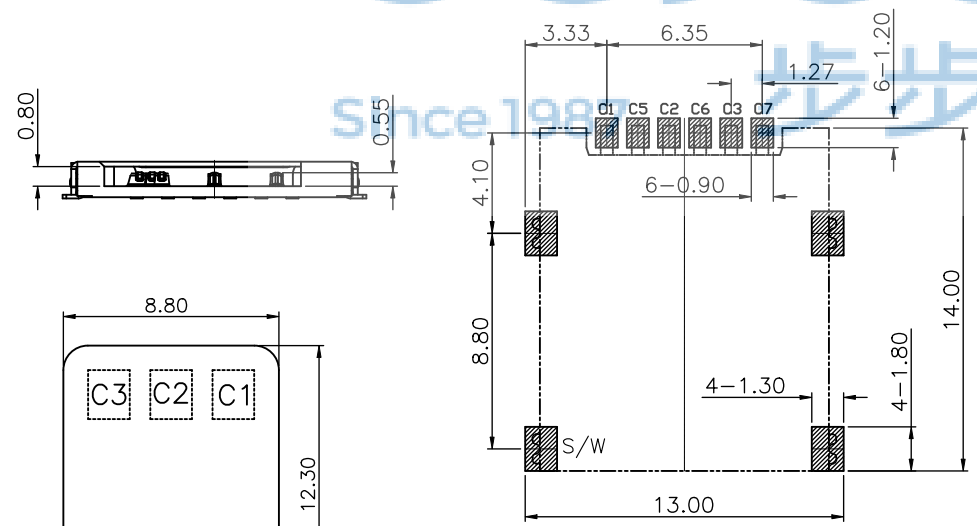


| REV. | ECN NO | CONTENT | DATE | ENGINEER |
|------|--------|---------|------|----------|
| A0 | | | | |




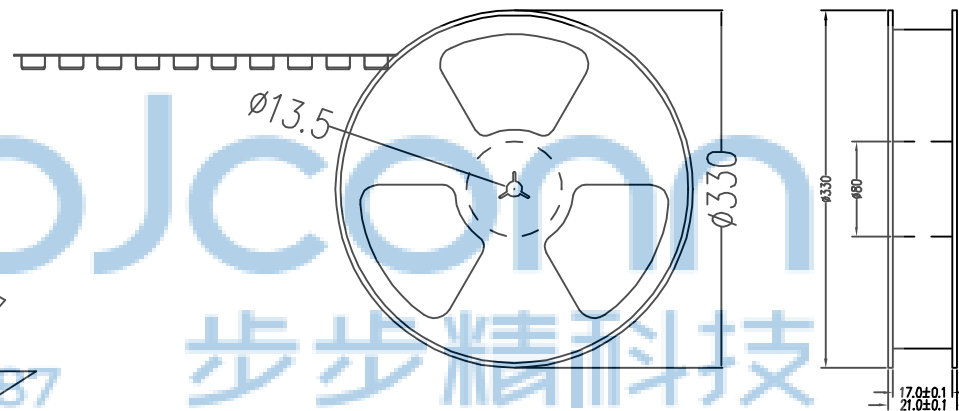
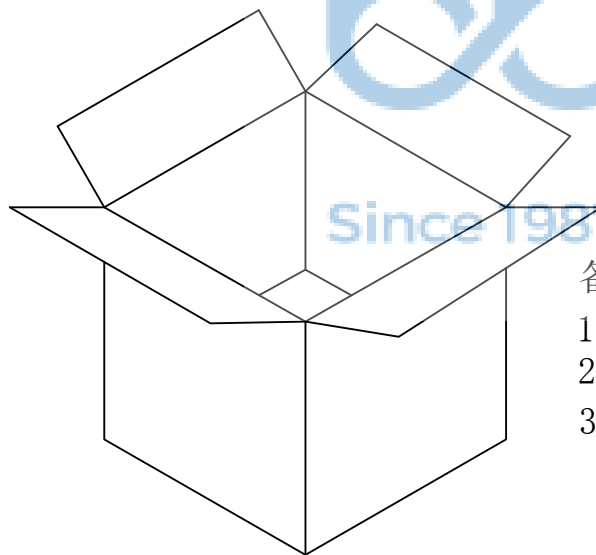
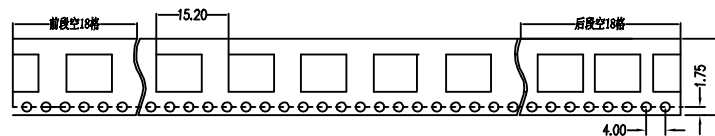
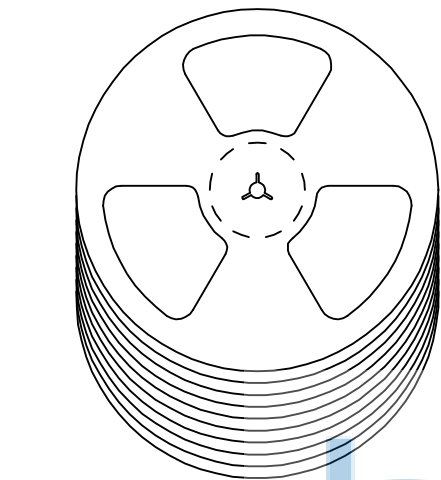
- NOTES:
- ELECTRICAL CHARACTERISTICS
 - 1-1. CONTACT RESISTANCE: 60 Milliohms Max
 - 1-2. INSULATION RESISTANCE: 1,000 Megohms Min.
 - 1-3. VOLTAGE RATING: 50V.
 - 1-4. CURRENT RATING: 1.0A.
 - MECHANICAL CHARACTERISTICS
 - 2-1. OPERATION TEMPERATURE RANGE: -20°C~+85°C
 - 2-2. DURABILITY: 5000 CYCLES
 - MATERIAL:
 - 3-1. HOUSING: THERMOPLASTIC,UL 94-V0
 - 3-2. TERMINAL: PHOSPHOR BRONZE,T=0.15
 - 3-3. SHELL: STAINLESS STEEL,T=0.20
 - FINISHED:
 - 4-1. TERMINAL: Ni PLATED UNDER, 3U" Au MIN PLATED ON CONTACT AREA,AU PLATED ON SOLDER TAIL



| NANO SIM CARD | |
|---------------|------------|
| Pin No. | NAME |
| C1 | VCC |
| C2 | RST |
| C3 | CLK |
| C5 | GND |
| C6 | VPP |
| C7 | I/O |
| S/W | Switch Pin |

RECOMMENDED PCB LAYOUT
GENERAL TOLERANCE ±0.05
SMT SOLDER AREA

| | | | |
|--|--|---|--|
| THIS DOCUMENT IS THE SOLE PROPERTY OF BBJconn Technology Co.,Ltd. Corporation AND SHOULD NOT BE USED IN WHOLE OR IN PART WITHOUT PRIOR WRITTEN PERMISSION. | |  深圳市步步精科技有限公司 | |
| PDWG.NO: 0214-1 | | .X: ±0.38 .XX: ±0.25 .XXX: ±0.13 X': ±3" .X': ±2" .XX': ±1" | NAME: 卡座 NANO SIM 6P 带检测PIN 掀盖式 H=1.50 贴片 无柱 APPD. JM_Zheng CHKD. LYX DR. TSP |
| | | PJ. NO.: CD.02.02-02-0017 SIZE: A4 DRW NO.: FINISH: SEE NOTES MAT'L.: SEE NOTES SCALE: N/A REV.: A0 UNIT: mm PAGE: 1/2 | |



备注:

1. 包装数量: 1500/PCS/卷, 10卷/箱。
2. 包装袋长度: 每卷前后各空10-20个空格, 中间包装。
3. 材质:
载体: 聚丙烯 (PS), 阻抗 $10^{6-9} \Omega$
上带: 聚乙烯 (PET), 阻抗 $10^{6-11} \Omega$
卷盘: 聚苯乙烯。

纸箱规格: 345*345*23MM

纸箱规格: 345*345*35MM

| | | | | |
|---|--|----------------------------------|--|---------------------------|
| THIS DOCUMENT IS THE SOLE PROPERTY OF BBUconn Technology Co., Ltd. Corporation AND SHOULD NOT BE USED IN WHOLE OR IN PART WITHOUT PRIOR WRITTEN PERMISSION. PDWG.NO: 0214-1 | 深圳市步步精科技有限公司 | | NAME: 卡座 NANO SIM 6P 带检测PIN 掀盖式 H=1.50 贴片 无柱 | |
| | .X: ±0.38 .XX: ±0.25 .XXX: ±0.13 | X': ±3' .X': ±2' .XX': ±1' | APPD. JM_Zheng | PJ. NO.: CD.02.02-02-0017 |
| | CHKD. LYX | DR. TSP | SIZE: A4 DRW NO.: | |
| | FINISH: SEE NOTES | | MAT'L.: SEE NOTES | |
| | SCALE: N/A | | REV.: AO | UNIT: mm |