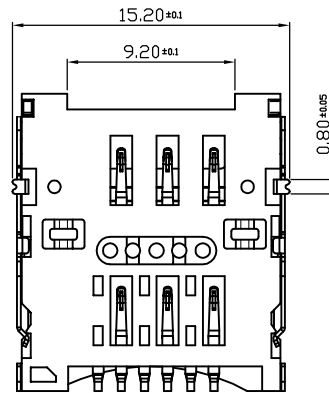
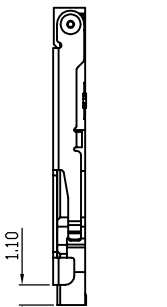
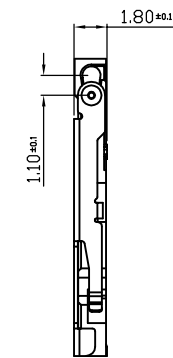
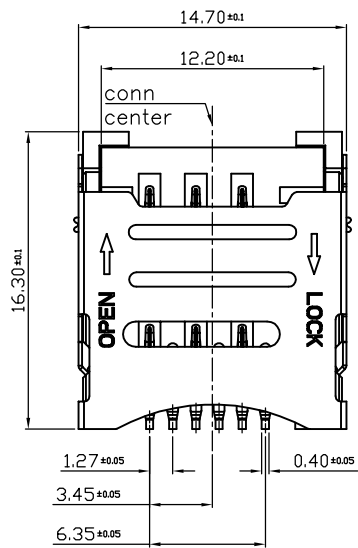
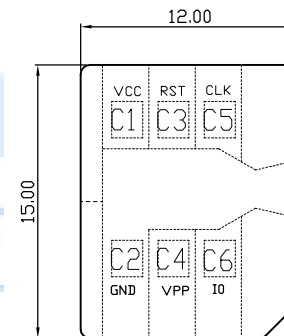
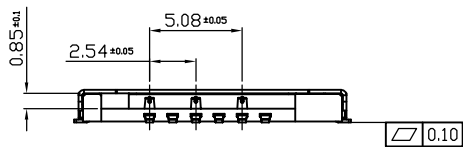


REV.	ECN NO	CONTENT	DATE	ENGINEER
A0			2023 20/04	



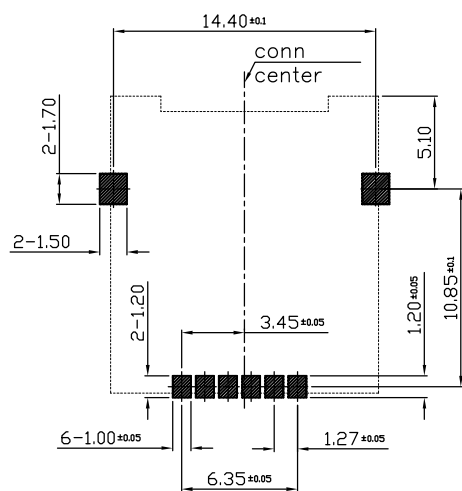
NOTES:

- ELECTRICAL CHARACTERISTICS
 - CONTACT RESISTANCE: 60 Milliohms Max
 - INSULATION RESISTANCE: 1,000 Megohms Min.
 - VOLTAGE RATING: 50V.
 - CURRENT RATING: 1.0A.
- MECHANICAL CHARACTERISTICS
 - OPERATION TEMPERATURE RANGE: -20°C~+85°C
 - DURABILITY: 5000 CYCLES
- MATERIAL:
 - HOUSING: THERMOPLASTIC, UL 94-V0
 - TERMINAL: PHOSPHOR BRONZE, T=0.15mm
 - SHELL: STAINLESS STEEL, T=0.20mm
- FINISHED:
 - TERMINAL: Ni PLATED UNDER, 3U" Au MIN PLATED ON CONTACT AREA, AU PLATED ON SOLDER TAIL
 - SHELL: Ni PLATED UNDER, G/F PLATED ON SOLDER TAIL

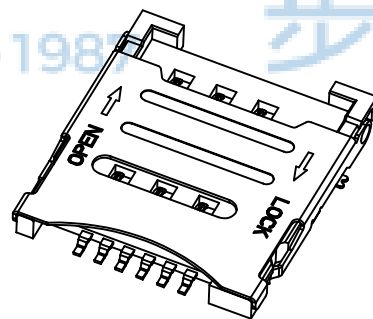


MICRO SIM

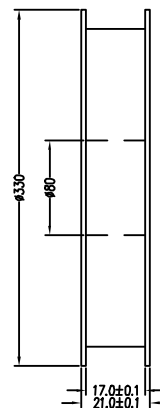
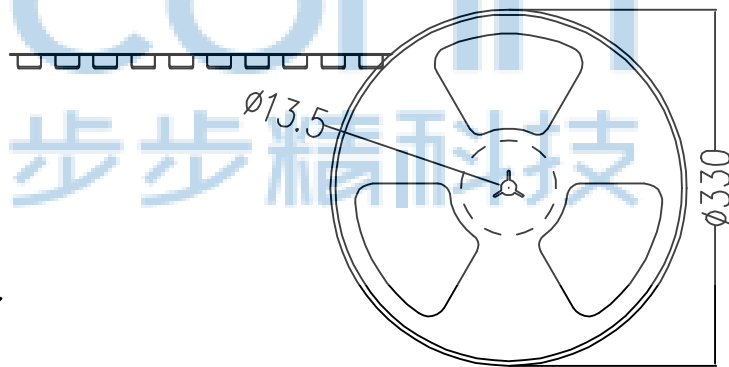
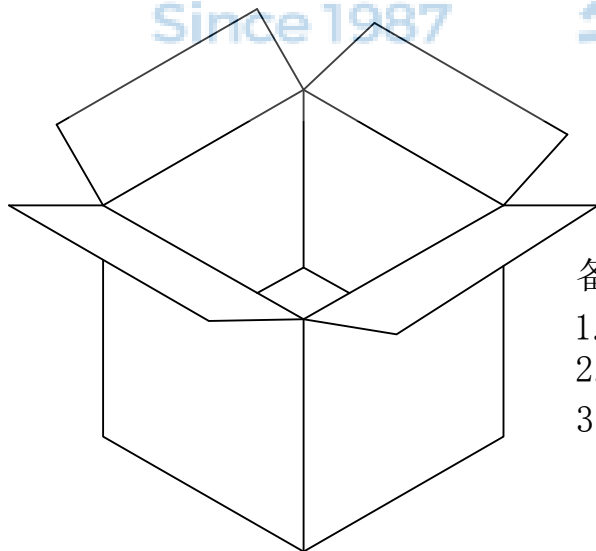
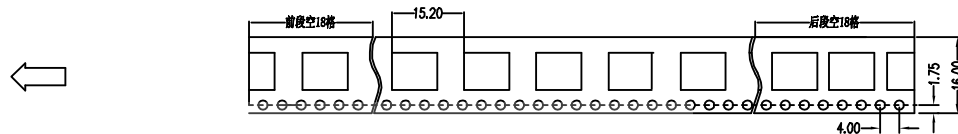
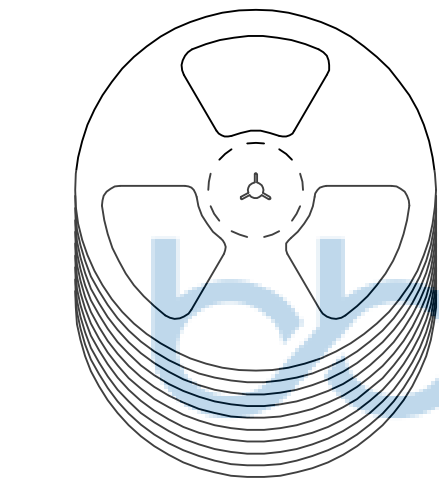
PIN NO.	NAME	PIN NO.	NAME
C1	VCC	C4	VPP
C2	GND	C5	CLK
C3	RST	C6	I/O



RECOMMENDED PCB LAYOUT(Top View)
GENERAL TOLERANCE ±0.05



THIS DOCUMENT IS THE SOLE PROPERTY OF BBJconn Technology Co., Ltd. CORPORATION AND SHOULD NOT BE USED IN WHOLE OR IN PART WITHOUT PRIOR WRITTEN PERMISSION.		深圳市步步精科技有限公司 .X: ±0.38 .X': ±3" .XX: ±0.25 .X": ±2" .XXX: ±0.13 .XX': ±1"	
APPD.	JM_Zheng	23/05'02	NAME: SIM 卡座 MICRO SIM 6PIM 掀盖式1.8
CHKD.	LYX	23/05'02	PJ. NO.: CD.02.02-02-0013
DR.	ZY	23/05'02	SIZE: A4 DRW NO.:
PDWG.NO:	0214-1		FINISH: SEE NOTES MAT'L.: SEE NOTES
			SCALE: N/A REV.: A3 UNIT: mm PAGE: 1/1



1500/PCS卷

备注:

1. 包装数量: 1500/PCS/卷, 10卷/箱或15卷/箱。
2. 包装袋长度: 每卷前后各空10-20个空格, 中间包装。
3. 材质:
载体: 聚丙烯 (PS), 阻抗 $10^{6-9} \Omega$
上带: 聚乙烯 (PET), 阻抗 $10^{6-11} \Omega$
卷盘: 聚苯乙烯。

纸箱规格: 345*345*23MM

纸箱规格: 345*345*35MM

THIS DOCUMENT IS THE SOLE PROPERTY OF BBJconn Technology Co.,Ltd. Corporation AND SHOULD NOT BE USED IN WHOLE OR IN PART WITHOUT PRIOR WRITTEN PERMISSION.		深圳市步步精科技有限公司 .X: ±0.38 .X': ±3' .XX: ±0.25 .X'': ±2' .XXX: ±0.13 .XX': ±1'		NAME: SIM 卡座 MICRO SIM 6PIM 掀盖式1.8 PJ. NO.: CD.02.02-02-0013 SIZE: A4 DRW NO.: FINISH: SEE NOTES MAT'L.: SEE NOTES SCALE: N/A REV.: A3 UNIT: mm PAGE: 1/1	
APPD.	JM_Zheng	23/05'02			
CHKD.	LYX	23/05'02			
PDWG.NO:	0214-1	DR.	23/05'02		