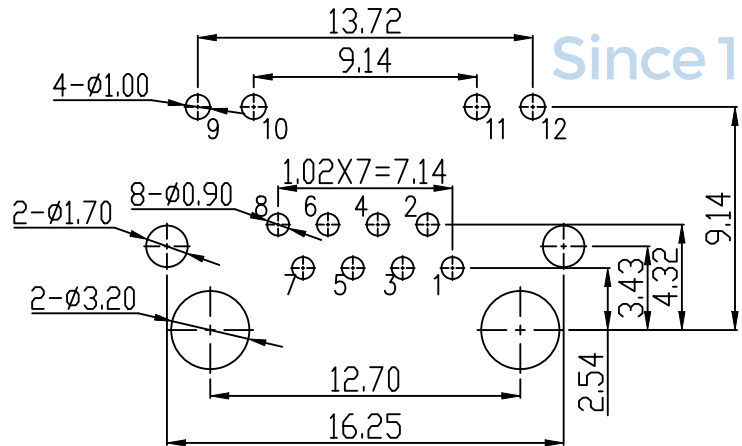
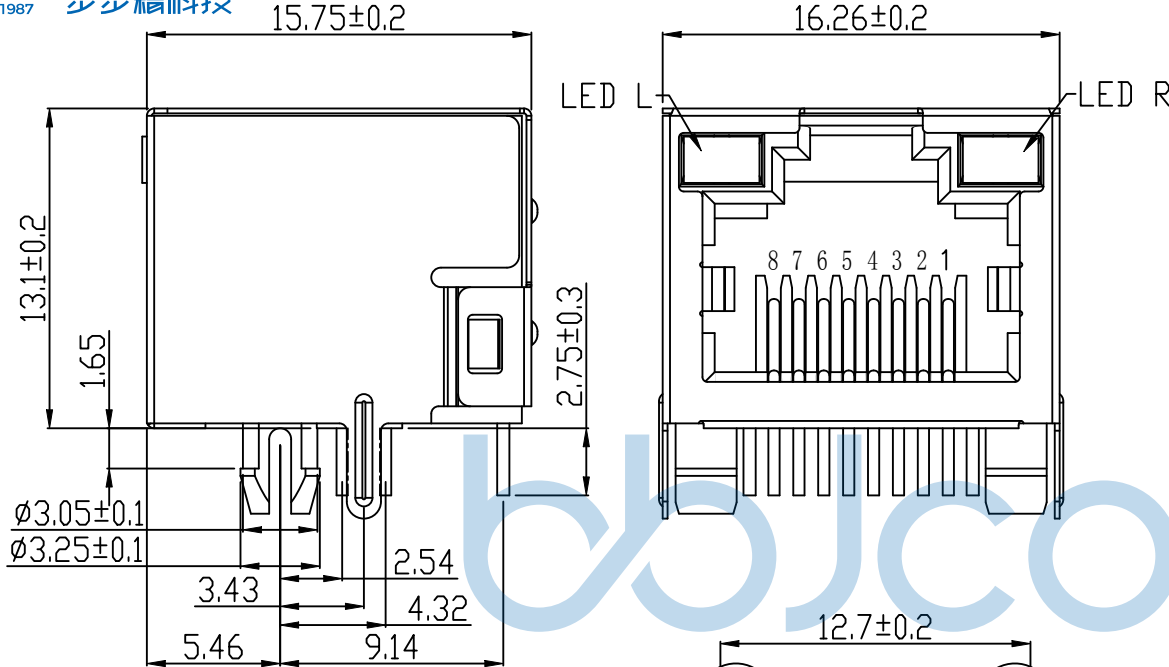
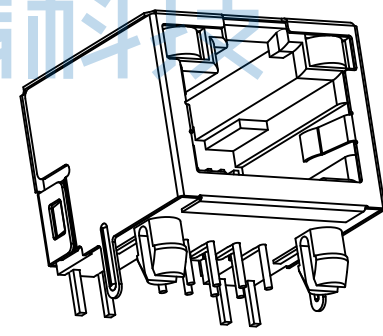
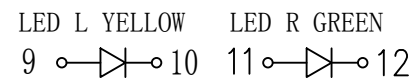


REV.	ECN NO	CONTENT	DATE	ENGINEER
AO		Initial release		LYX

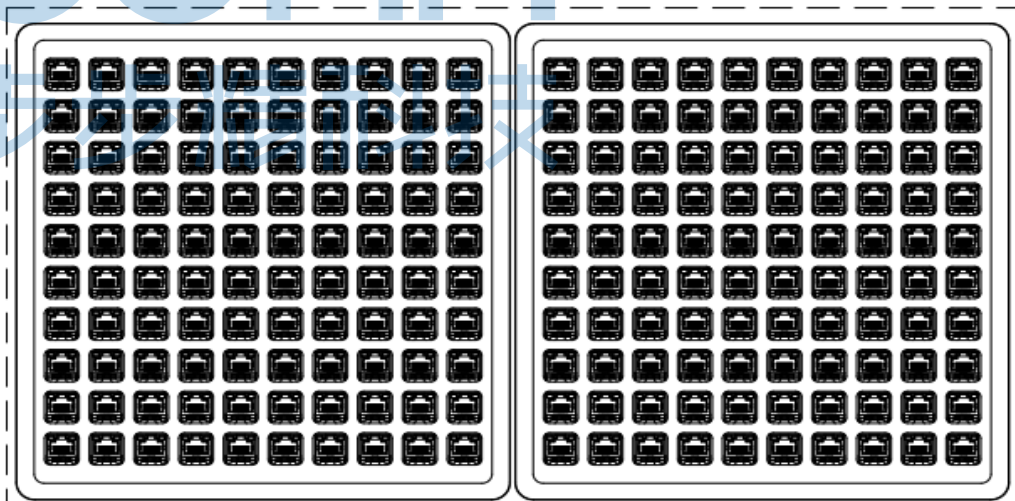
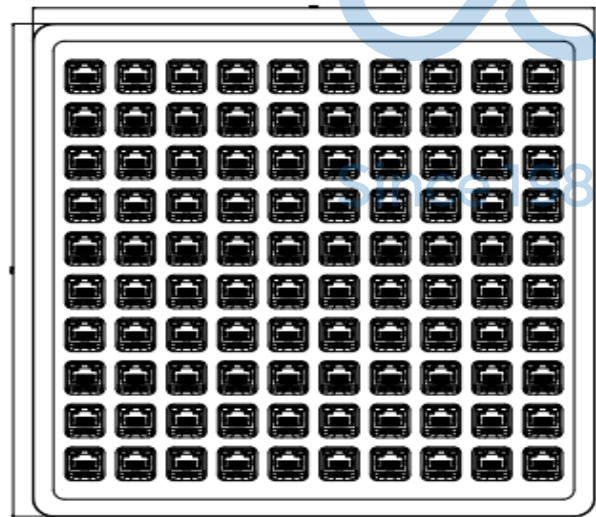
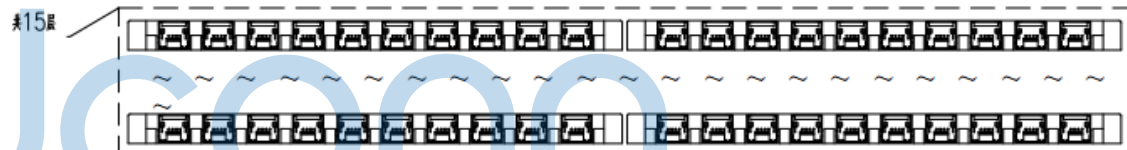
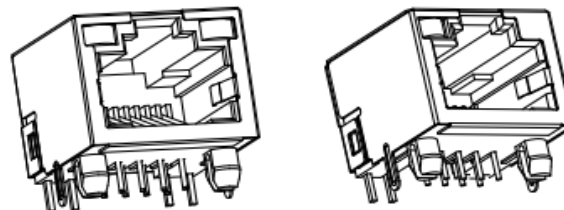
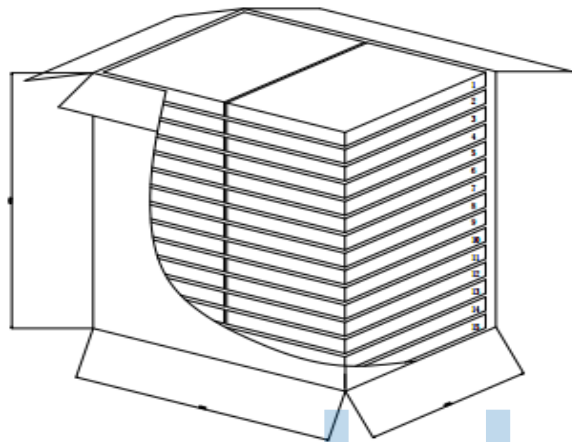
- NOTES:
- ELECTRICAL:
- VOLTAGE RATING: 125V AC.
 - CURRENT RATING: 1.5A.
 - CONTACT RESISTANCE: 30 mΩ MAX.
 - INSULATION RESISTANCE: 500 MΩ MIN @ 500V DC.
 - DIELECTRIC STRENGTH: 1000V AC 50Hz or 60Hz, 1MIN.
- MECHANICAL:
- INSERT MATERIAL: UL94V-0.
 - CONTACT MATERIAL: Ø0.46mm C51000 (QSn4-0.3) PHOSPHOR BRONZE GOLD PLATING OVER NICKEL.
 - SHIELD: 0.20mm THICKNESS H65Y BRASS NICKEL PLATED.
 - MATING/UNMATING FORCE: 2.2KG.F MAX.
 - RETENTION STRENGTH: 5.0KG.F MIN BETWEEN JACK AND PLUG.
 - OPERATING LIFE: 750 CYCLES MIN.
- ENVIRONMENTAL:
- STORAGE: -40°C ~ +85°C RELATIVE HUMIDITY<70%.
 - OPERATION: -40°C ~ +85°C.



PC Board Layout



THIS DOCUMENT IS THE SOLE PROPERTY OF		bbJconn 深圳市步步精科技有限公司	
BBJconn Technology Co.,Ltd. Corporation AND SHOULD NOT BE USED IN WHOLE OR IN PART WITHOUT PRIOR WRITTEN PERMISSION.		NAME: 网络接口 RJ56S 1X1 8P8C 带灯无弹 (左黄右绿)	
APPD.	JM_Zheng		PJ. NO.: RJ.01.22-21-8002
CHKD.	TSP		SIZE: A4 DRW NO.:
DR.	LYX	FINISH: SEE NOTES	MAT'L.: SEE NOTES
PDWG.NO: 0385-2		SCALE: N/A	REV.: AO UNIT: mm PAGE: 1/3



100	PCS/盒	产品单重/g	3.75
30	盒/箱	净重 (NW) /kg	11.3
3000	PCS/箱	毛重 (GW) /kg	14.9
吸塑盒型号		尺寸	275*265*17
纸箱型号		尺寸	545*285*275



THIS DOCUMENT IS THE
SOLE PROPERTY OF
BBJconn Technology Co.,Ltd.
Corporation AND SHOULD
NOT BE USED IN WHOLE
OR IN PART WITHOUT
PRIOR WRITTEN PERMISSION.
PDWG,NO: 0385-2

深圳市步步精科技有限公司

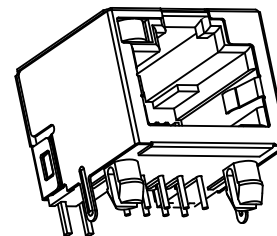
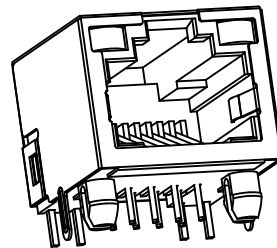
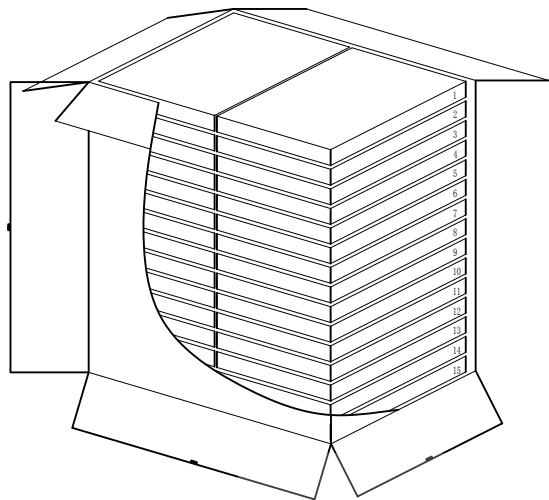
.X: ±0.38 X': ±3'
.XX: ±0.25 .X': ±2'
.XXX: ±0.13 .XX': ±1'

NAME: 网络接口 RJ56S 1X1 8P8C 带灯无弹
(左黄右绿)

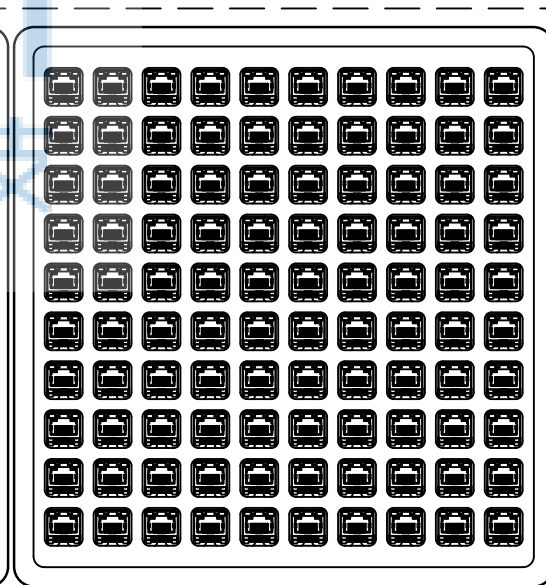
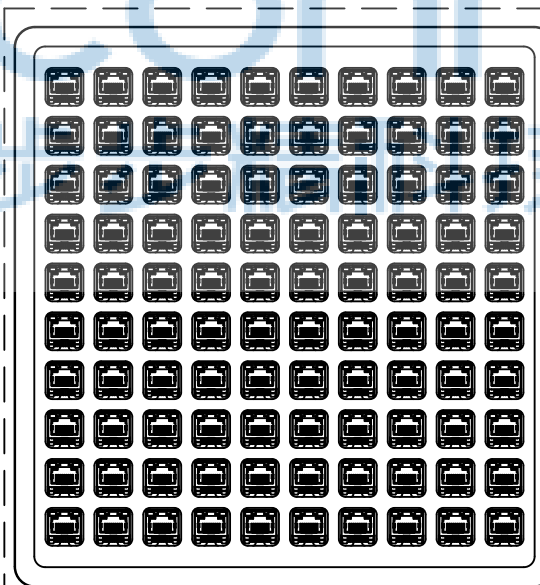
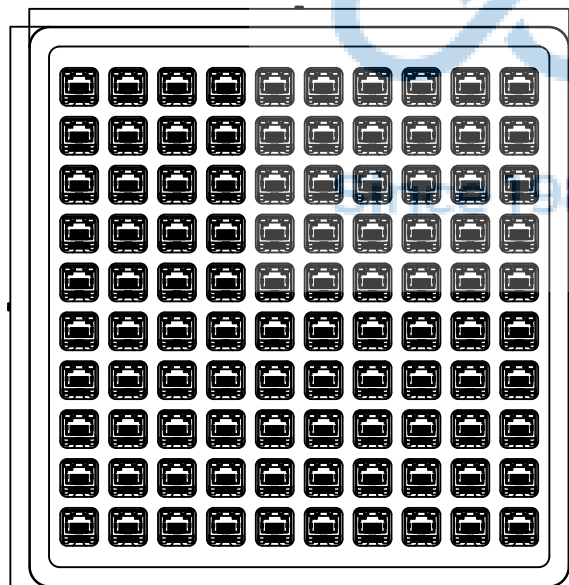
APPD. JM_Zheng
CHKD. TSP
DR. LYX

PJ. NO.: RJ.01.22-21-8002
SIZE: A4 DRW NO.:
FINISH: SEE NOTES MAT'L.: SEE NOTES
SCALE: N/A REV.: A0 UNIT: mm PAGE: 2/3

REV.	ECN NO	CONTENT	DATE	ENGINEER
A0		Initial release		LYX



※15层



100 PCS/盒	产品单重/g	3.75
30 盒/箱	净重 (NW) /kg	11.3
3000 PCS/箱	毛重 (GW) /kg	14.9
吸塑盒型号	尺寸	275*265*17
纸箱型号	尺寸	545*285*275



THIS DOCUMENT IS THE SOLE PROPERTY OF BBJconn Technology Co.,Ltd. Corporation AND SHOULD NOT BE USED IN WHOLE OR IN PART WITHOUT PRIOR WRITTEN PERMISSION.
PDWG.NO: 0385-2

深圳市步步精科技有限公司

NAME: 网络接口 RJ56S 1X1 8P8C 带灯无弹 (左黄右绿)

APPD. JM_Zheng 23/05'02

CHKD. TSP 23/05'02

DR. LYX 23/05'02

PJ. NO.: RJ.01.22-21-8002

SIZE: A4 DRW NO.:

FINISH: SEE NOTES MAT'L.: SEE NOTES

SCALE: N/A REV.: A0 UNIT: mm PAGE: 3/3