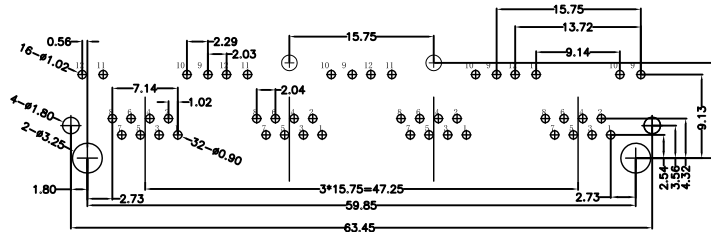
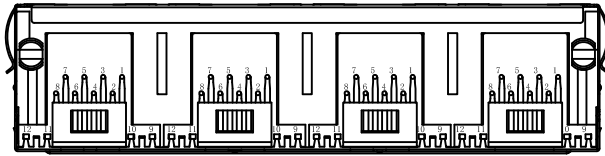


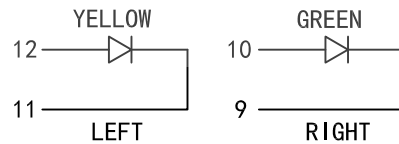
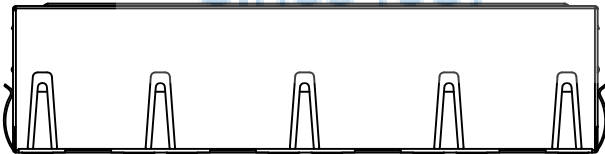
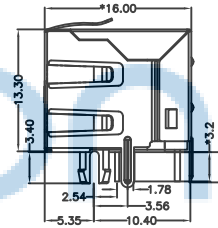
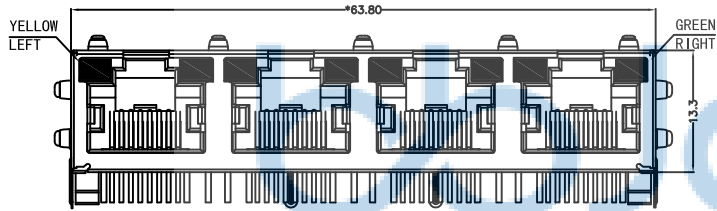
REV.	ECN NO	CONTENT	DATE	ENGINEER
A0		Initial release	/	SGF



MATERIAL:
HOUSING: PA46,UL94V-0,BLACK.
TERMINAL: PHOSPHOR BRONZE $\phi=0.46$ MM, G/FU" GOLD PLATING.
SHIELD: C2680,T=0.20MM,20 MIN NICKEL PLATING ON ALL AREA.

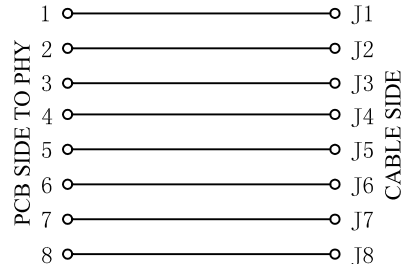
MACHANICAL:
DURABILITY: 750 CYCLES MIN,12.5MM/MINUTE.
INSERTION FORCE: 2.2KG.F MAX.
RETENTION STRENGTH : 7.7KG.F BETWEEN JACK AND PLUG.
OPERATING TEMPERATURE: -40°C~+85°C.
STORAGE TEMPERATURE: -40°C~+85°C.
ALL CRITICAL DIMENSIONS WITH "M"

ELECTRICAL:
VOLTAGE: 125 VOLTS AC.
CURRENT RATING : 1.5AMP.
DIELECTRIC STRENGTH: 1000 VAC RMS 50HZ OR 60HZ,1MIN.
INSULATION RESISTANCE: 500 MEGA OHMS MIN. INITIAL AFTER 500V DC FOR 1 MINUTE.
CONTACT RESISTANCE: SINGLE TERMINAL 30 MILLIOHMS MAX. INITIAL 50 MILLIOHMS MAX. AFTER DURABILITY TEST.



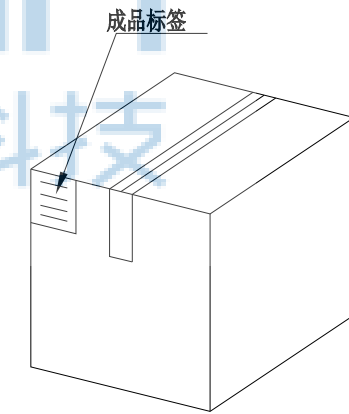
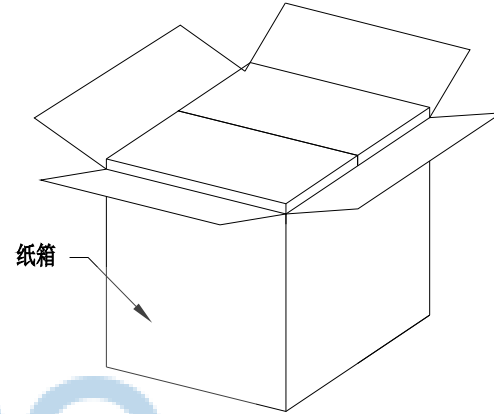
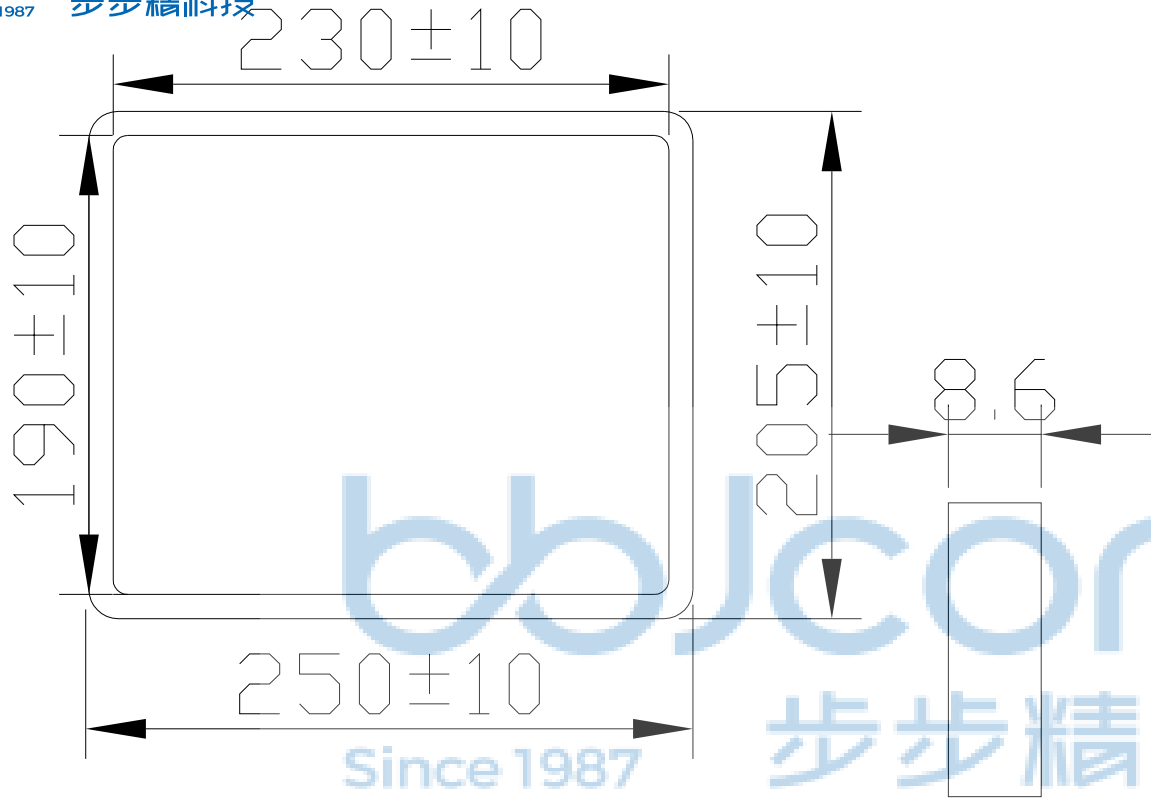
LED Specification

Standard LED Color	LED Wavelength	Foward(A)	Foward(V)
Green	568nm	20mA	1.85-2.45V
Yellow	585nm	20mA	1.7-2.2V



THIS DOCUMENT IS THE SOLE PROPERTY OF BBJconn Technology Co.,Ltd. CORPORATION AND SHOULD NOT BE USED IN WHOLE OR IN PART WITHOUT PRIOR WRITTEN PERMISSION.	深圳市步步精科技有限公司		NAME: 网络接口 RJ45 8P8C 1x4 90度 L=16.00 直通 56带屏蔽 带灯 左黄右绿 带弹 全包 DIP	
	APPD. JM_Zheng	PJ. NO.: RJ.01.31-24-A001		FINISH: SEE NOTES MAT'L.: SEE NOTES
	CHKD. LYX	SIZE: A4 DRW NO.:		
	DR. SGF	SCALE: N/A	REV.: A0	UNIT: mm

REV.	ECN NO	CONTENT	DATE	ENGINEER
A0		Initial release	/	SGF



1. 包装要求:
- 1.1 每盒吸塑盒包装20 pcs;
 - 1.2 每50盘放一箱, 共计1000PCS;
 - 1.3 纸箱外贴上标签

纸箱规格: 350*210*290

THIS DOCUMENT IS THE SOLE PROPERTY OF BBJconn Technology Co.,Ltd. Corporation AND SHOULD NOT BE USED IN WHOLE OR IN PART WITHOUT PRIOR WRITTEN PERMISSION.		深圳市步步精科技有限公司 .X: ±0.38 .X': ±3" .XX: ±0.25 .X": ±2" .XXX: ±0.13 .XX': ±1"		NAME: 网络接口 RJ45 8P8C 1x4 90度 L=16.00 直通 56带屏蔽 带灯 左黄右绿 带弹 全包 DIP PJ. NO.: RJ.01.31-24-A001 SIZE: A4 DRW NO.: FINISH: SEE NOTES MAT'L.: SEE NOTES SCALE: N/A REV.: A0 UNIT: mm PAGE: 2/2	
APPD.	JM_Zheng				
CHKD.	LYX				
PDWG.NO:	0521-1	DR.	SGF		