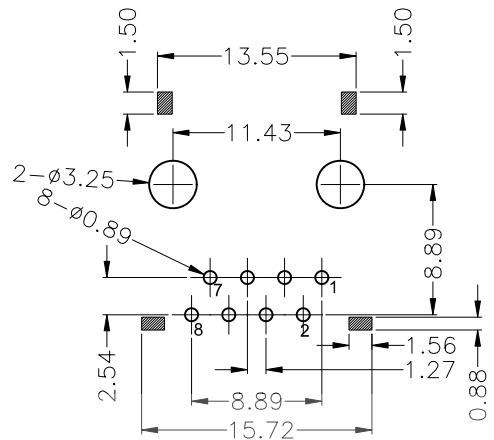
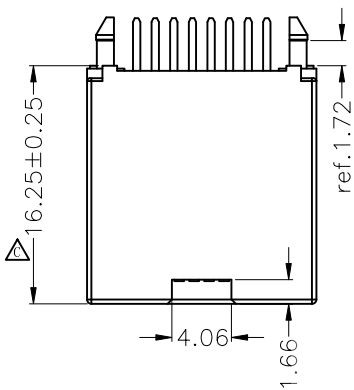
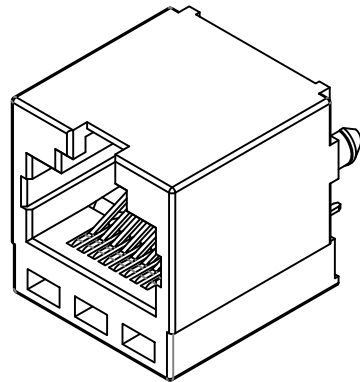
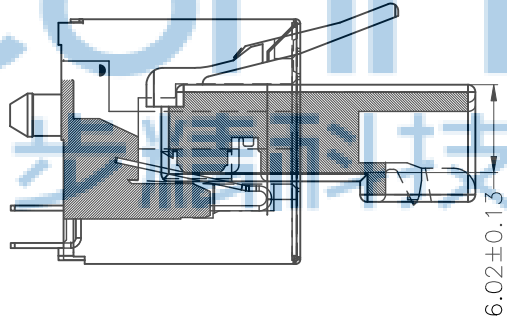
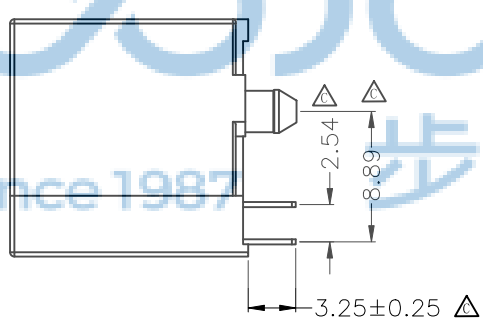
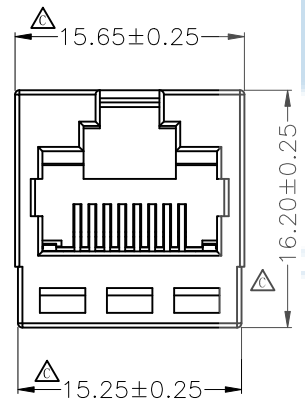


REV.	ECN NO.	CONTENT	DATE	ENGINEER
A0			2023 20/04	



RECOMMEND PCB LAYOUT VIEW (COMPONENT SIDE)
THICKNESS=1.60mm (ALL TOLERANCE =±0.05)

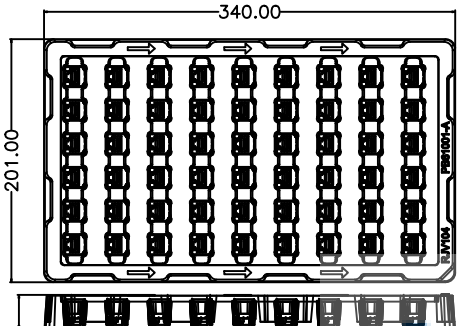


- Note:
- MATERIAL:
 - 1-1. HOUSING&INSERT MATERIAL: LCP UL94V-0 BLACK
 - 1-2. CONTACT MATERIAL: COPPER ALLOY T=0.35mm.
 - PLATING:
 - 2-1. TERMINAL: GOLD PLATING AT CONTACT AREA
NICKEL 30U"MIN. TIN 80U" ON SOLDERING AREA.
 - ELECTRICAL:
 - 3-1. CONTACT CURRENT RATING : 1.5A
 - 3-2. DIELECTRIC WITHSTANDING VOLTAGE: 500V AC OR 1000V DC RMS AT 0.50mA 50 Hz/60Hz FOR 1MINUTE
 - 3-3. CONTACT RESITANCE: 40 m OHMS MAX.
 - MECHANICAL:
 - 4-1. MATING/UNMATING FORCE: 30N/3.03KG MAX.
 - 4-2. OPERATING LIFE: 750 CYCLES MIN.



THIS DOCUMENT IS THE SOLE PROPERTY OF BBJconn Technology Co., Ltd. Corporation AND SHOULD NOT BE USED IN WHOLE OR IN PART WITHOUT PRIOR WRITTEN PERMISSION.		深圳市步步精科技有限公司	
.X: ±0.38 .XX: ±0.25 .XXX: ±0.13		X': ±3" .X': ±2" .XX': ±1"	
APPD.	JM_Zheng 23/05'02	NAME: 网络接口 RJ45 1x1 8P8C 180度 H=16.25 无灯 无弹 全塑 带柱 扁针 DIP (111000-000S)	
CHKD.	TSP 23/05'02	P.J. NO.: RJ.02.22-11-A005	
PDWG.NO:	0642-1	SIZE: A4 DRW NO.:	
DR.	LYX 23/05'02	FINISH: SEE NOTES MAT'L.: SEE NOTES	
		SCALE: N/A REV.: A3 UNIT: mm PAGE: 1/1	

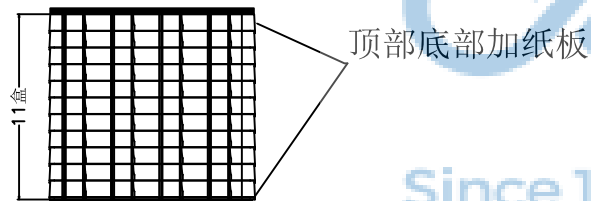
REV.	ECN NO.	CONTENT	DATE	ENGINEER
AO			2023 20/04	



- 操作步骤:
1. 将产品(图1)按照图示方向放入吸塑盒内(图2);
 2. 堆叠11盒装好产品的吸塑, 然后在顶部和底部各加一片纸板。(图3);
 4. 取两摞产品(图4)分别用拉伸膜缠绕(图5);
 5. 将两摞产品放入防潮袋, 并放入2包干燥剂;
 6. 按图所示装入纸箱(图7), 然后将产品装入纸箱内;
 7. 封箱并贴标签(图8);
 8. 栈板摆放不可超过5层;

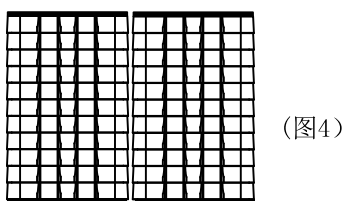
- 包装数量:
1. 整盘包装数量: 54pcs/盒
 2. 整箱数量: 1188pcs/盒, 即(22盒)
- 重量:
1. 产品净重(P.N.W.): 6.88KG (1188pcs)
 3. 整箱毛重(G.W.): 9.29KG

(图2)



顶部底部加纸板

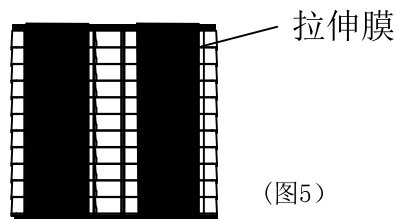
(图3)



1个防潮袋

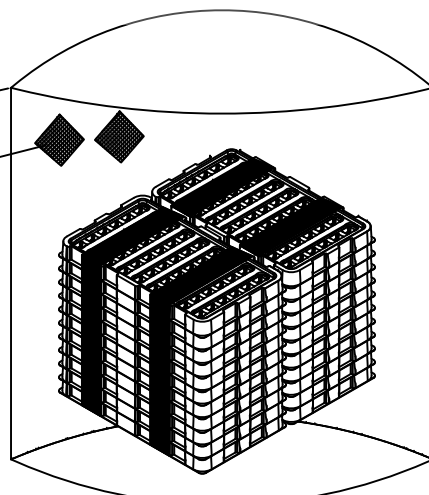
2包干燥剂

(图4)

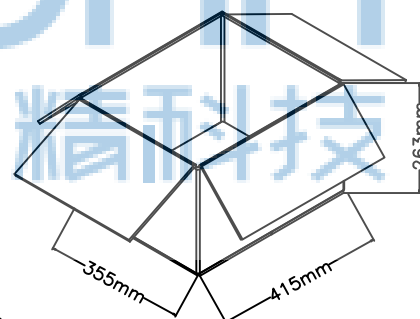


拉伸膜

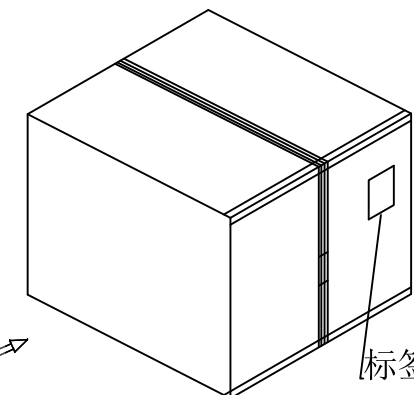
(图5)



(图6)



(图7)



(图8)

标签

THIS DOCUMENT IS THE SOLE PROPERTY OF BBJconn Technology Co.,Ltd. Corporation AND SHOULD NOT BE USED IN WHOLE OR IN PART WITHOUT PRIOR WRITTEN PERMISSION.		深圳市步步精科技有限公司 .X: ±0.38 X': ±3' NAME: 网络接口 RJ45 1x1 8P8C 180度 H=16.25 无灯 无弹 全塑 带柱 扁针 DIP (111000-000S) .XX: ±0.25 .X': ±2' .XXX: ±0.13 .XX': ±1'	
APPD. JM_Zheng 23/05'02	CHKD. TSP 23/05'02	PJ. NO.: RJ.02.22-11-A005 SIZE: A4 DRW NO.:	
PDWG.NO: 0642-1	DR. LYX 23/05'02	FINISH: SEE NOTES MAT'L.: SEE NOTES	SCALE: N/A REV.: A3 UNIT: mm PAGE: 1/1