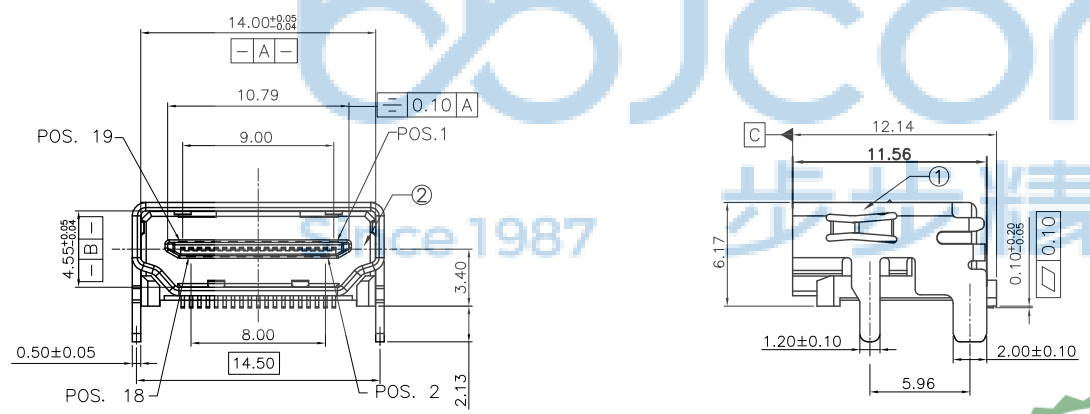


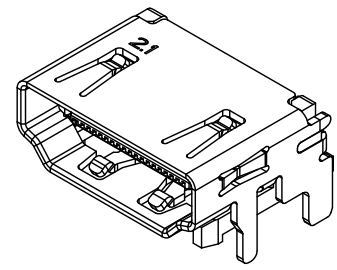
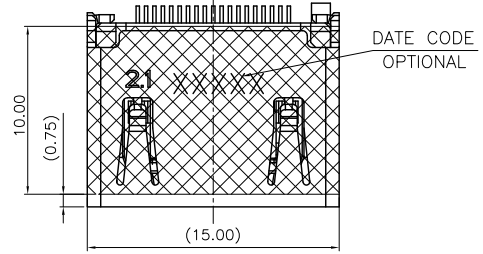
RECOMMENDED PCB LAYOUT(TOP VIEW)  
(THICKNESS=1.6±0.05mm)



- SPECIFICATIONS:**
- MECHANICAL :**
    - 1.1 INSERTION FORCE :44.1 N MAX
    - 1.2 WITHDRAWAL FORCE :9.8 N MIN.
    - AFTER 5,000 CYCLES MATING: 0.5kgf MIN.
  - ELECTRICAL :**
    - 2.1 CONTACT CURRENT RATING: 0.5A MIN.
    - 2.2 VOLTAGE RATING :40V AC (rms)
    - 2.3 WITHSTANDING VOLTAGE: 500 VAC FOR 1 MINUTE.
    - 2.4 INSULATION RESISTANCE: 100 MEGAOHMS MIN
    - 2.5 CONTACT RESISTANCE: 30 MILLIOHMS MAX.
  - ENVIRONMENTAL :**
    - 3.1 OPERATING TEMPERATURE:-25° C TO +85° C



19	CONTACT	COPPER ALLOY, GOLD FLASH PLATED ON CONTACT AREA, Au PLATING ON SOLDER AREA, Au PLATING UNDER OVER ALL	③
1	HOUSING	LCP BLACK UL94V-0	②
1	SHELL	COPPER ALLOY/SPCC,Au PLATING OVER ALL.	①
QTY'S	PART	SPECIFICATION	ITFM



THIS DOCUMENT IS THE SOLE PROPERTY OF BBJconn Technology Co.,Ltd. Corporation AND SHOULD NOT BE USED IN WHOLE OR IN PART WITHOUT PRIOR WRITTEN PERMISSION.

PDWG.NO: 0295-1

DR. SGF 23/05'02

**深圳市步步精科技有限公司**

NAME: HDWI 2.1 母座 19P 板上四脚插 L=12.14 平口 LCP黑胶 铜壳 镀全金G/F (端子SMT)

APPD. JM\_Zheng 23/05'02

CHKD. LYX 23/05'02

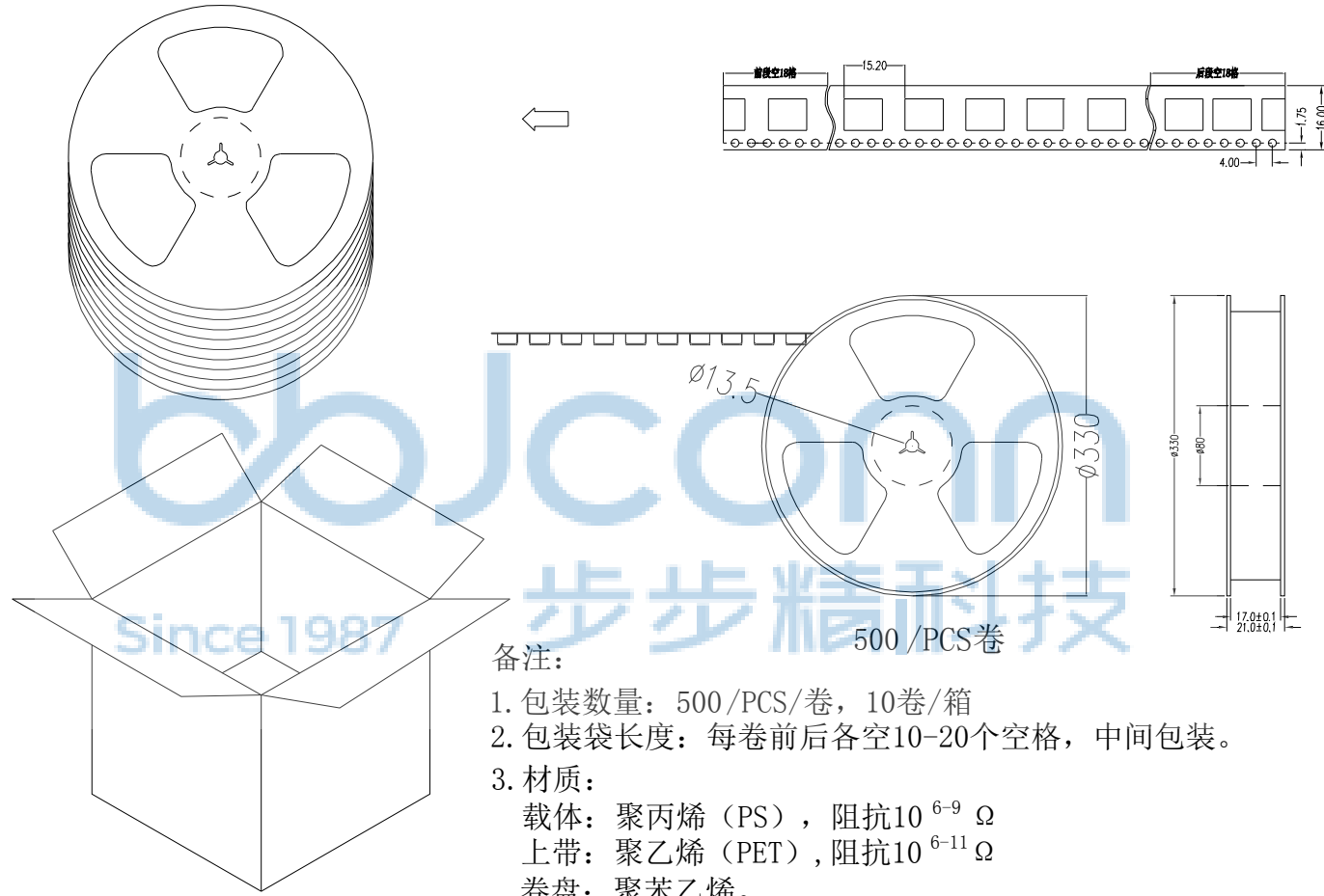
FINISH: SEE NOTES MAT'L.: SEE NOTES

SCALE: N/A REV.: A0 UNIT: mm PAGE: 1/1

NAME: PJ. NO.: HD.01.51-24-J004

SIZE: A4 DRW NO.:

REV.	ECN NO	CONTENT	DATE	ENGINEER
A0			2023 20/04	



备注:

1. 包装数量: 500/PCS/卷, 10卷/箱
2. 包装袋长度: 每卷前后各空10-20个空格, 中间包装。
3. 材质:  
载体: 聚丙烯 (PS), 阻抗 $10^{6-9} \Omega$   
上带: 聚乙烯 (PET), 阻抗 $10^{6-11} \Omega$   
卷盘: 聚苯乙烯。

纸箱规格: 345\*345\*23MM  
纸箱规格: 345\*345\*35MM



THIS DOCUMENT IS THE SOLE PROPERTY OF BBJconn Technology Co.,Ltd. Corporation AND SHOULD NOT BE USED IN WHOLE OR IN PART WITHOUT PRIOR WRITTEN PERMISSION.		深圳市步步精科技有限公司 .X: ±0.38    .X': ±3" .XX: ±0.25    .X'': ±2" .XXX: ±0.13    .XX': ±1"		NAME: HDMI 2.1 母座 19P 板上四脚插 L=12.14 平口 LCP黑胶 铜壳 镀全金G/F (端子SMT)	
APPD.	JM_Zheng	23/05'02	PJ. NO.: HD.01.51-24-J004 SIZE: A4   DRW NO.:		
CHKD.	LYX	23/05'02	FINISH: SEE NOTES    MAT'L.: SEE NOTES		
PDWG.NO:	0295-1	DR.	SGF	23/05'02	SCALE: N/A    REV.: A0    UNIT: mm    PAGE: 1/1