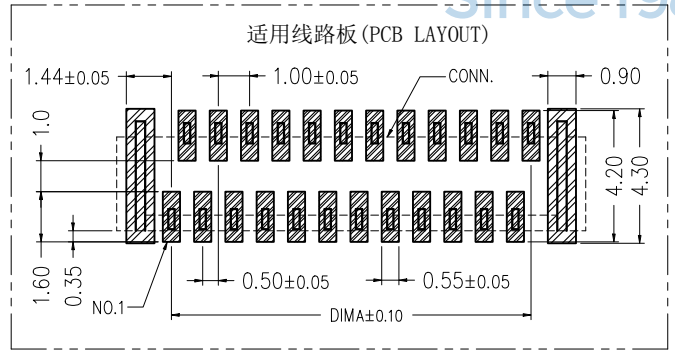
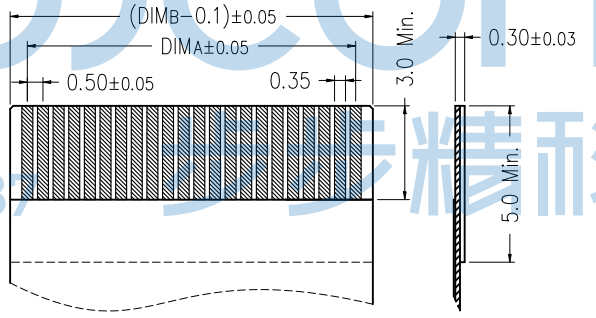
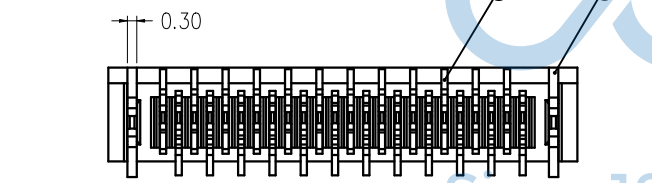
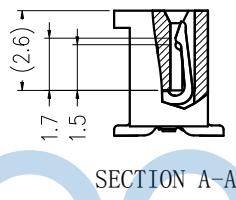
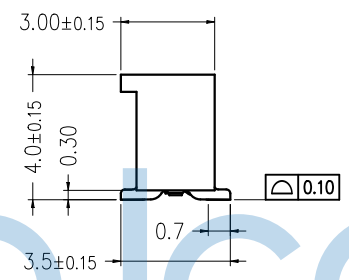
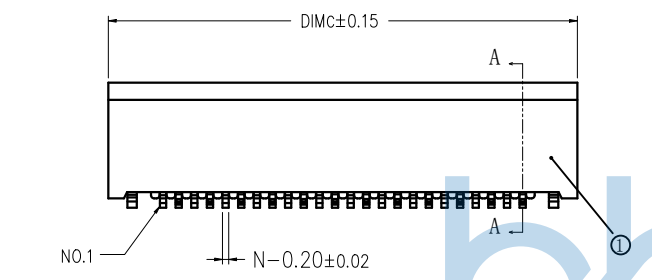
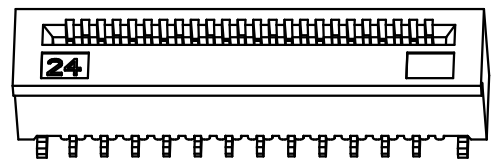
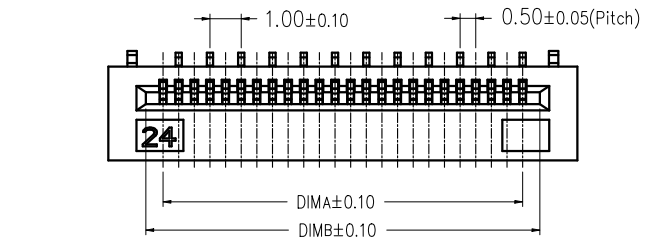


REV.	ECN NO.	CONTENT	DATE	ENGINEER
A0		Initial release	/	TSP

技术指标:

1. 塑件表面应光洁、无毛边、无明显收缩、缺陷、裂纹等现象。
2. 温度范围: $-25^{\circ}\text{C} \sim +85^{\circ}\text{C}$ 。
3. 额定电压: 50V, AC/DC(等效)。
4. 接触电阻: $\leq 0.03\text{m}\Omega$ 。
5. 绝缘电阻: $\geq 500\text{M}\Omega$ 。



适用扁平线(Applicable Flat Cable)

CKT	A	B	C	CKT	A	B	C
4	1.5	2.6	5.0	33	16.0	17.1	19.5
5	2.0	3.1	5.5	34	16.5	17.6	20.0
6	2.5	3.6	6.0	35	17.0	18.1	20.5
7	3.0	4.1	6.5	36	17.5	18.6	21.0
8	3.5	4.6	7.0	37	18.0	19.1	21.5
9	4.0	5.1	7.5	38	18.5	19.6	22.0
10	4.5	5.6	8.0	39	19.0	20.1	22.5
11	5.0	6.1	8.5	40	19.5	20.6	23.0
12	5.5	6.6	9.0	41	20.0	21.1	23.5
13	6.0	7.1	9.5	42	20.5	21.6	24.0
14	6.5	7.6	10.0	43	21.0	22.1	24.5
15	7.0	8.1	10.5	44	21.5	22.6	25.0
16	7.5	8.6	11.0	45	22.0	23.1	25.5
17	8.0	9.1	11.5	46	22.5	23.6	26.0
18	8.5	9.6	12.0	47	23.0	24.1	26.5
19	9.0	10.1	12.5	48	23.5	24.6	27.0
20	9.5	10.6	13.0	49	24.0	25.1	27.5
21	10.0	11.1	13.5	50	24.5	25.6	28.0
22	10.5	11.6	14.0	51	25.0	26.1	28.5
23	11.0	12.1	14.5	52	25.5	26.6	29.0
24	11.5	12.6	15.0	53	26.0	27.1	29.5
25	12.0	13.1	15.5	54	26.5	27.6	30.0
26	12.5	13.6	16.0	55	27.0	28.1	30.5
27	13.0	14.1	16.5	56	27.5	28.6	31.0
28	13.5	14.6	17.0	57	28.0	29.1	31.5
29	14.0	15.1	17.5	58	28.5	29.6	32.0
30	14.5	15.6	18.0	59	29.0	30.1	32.5
31	15.0	16.1	18.5	60	29.5	30.6	33.0
32	15.5	16.6	19.0				



序号	品名	材质
①	0.5无盖立式胶芯	LCP UL94V-0 本色
②	0.5无盖立式端子	铜合金/表面镀锡
③	0.5无盖立式焊片	铜合金/表面镀锡

THIS DOCUMENT IS THE SOLE PROPERTY OF BBJconn Technology Co.,Ltd. Corporation AND SHOULD NOT BE USED IN WHOLE OR IN PART WITHOUT PRIOR WRITTEN PERMISSION.

PDWG.NO: 0456-1

DR. TSP

APPD. JM_Zheng

CHKD. LYX

NAME: FPC 0.5-24P 正位立贴 H=4.0 无盖

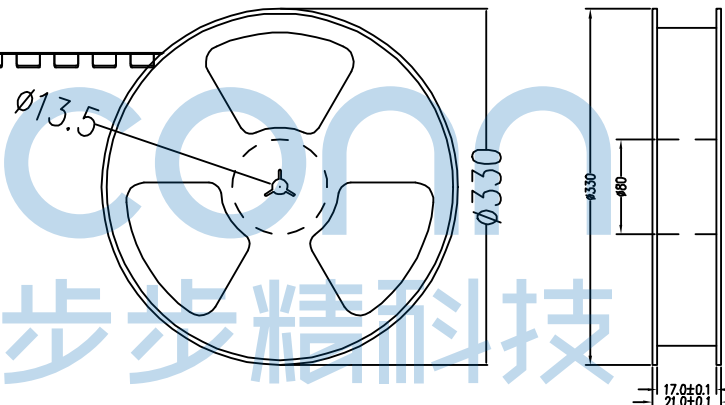
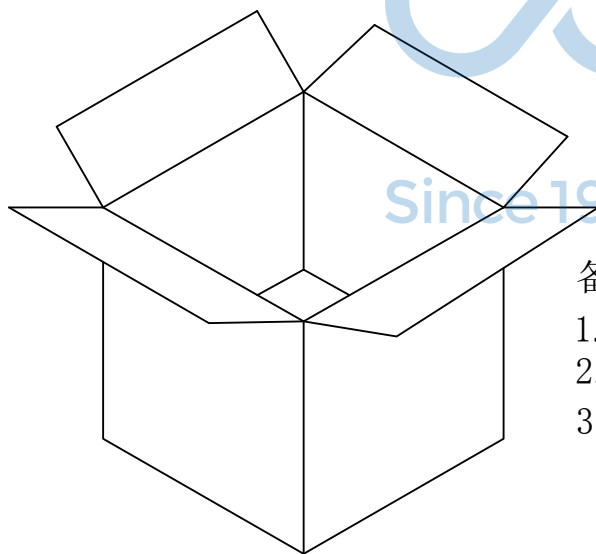
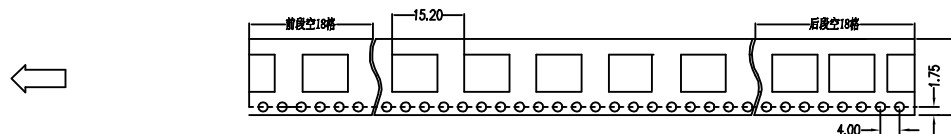
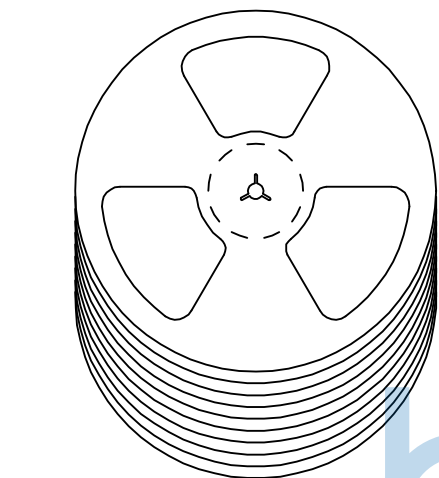
PJ. NO.: PC.02.03-42-F002

SIZE: A4 DRW NO.:

FINISH: SEE NOTES MAT'L.: SEE NOTES

SCALE: N/A REV.: A0 UNIT: mm PAGE: 1/2

深圳市步步精科技有限公司



备注:

1. 包装数量: 2000/PCS/卷, 10卷/箱。
2. 包装袋长度: 每卷前后各空10-20个空格, 中间包装。
3. 材质:
载体: 聚丙烯 (PS),
上带: 聚乙烯 (PET),
卷盘: 聚苯乙烯。

纸箱规格: 345*345*23MM

纸箱规格: 345*345*35MM

THIS DOCUMENT IS THE SOLE PROPERTY OF BBJconn Technology Co.,Ltd. Corporation AND SHOULD NOT BE USED IN WHOLE OR IN PART WITHOUT PRIOR WRITTEN PERMISSION.		.X: ±0.38 .XX: ±0.25 .XXX: ±0.13		X': ±3" .X': ±2" .XX': ±1"		NAME: FPC 0.5-24P 正位立贴 H=4.0 无盖	
APPD.	JM_Zheng	P.J. NO.:		PC.02.03-42-F002		SIZE: A4 DRW NO.:	
CHKD.	LYX	FINISH: SEE NOTES		MAT'L.: SEE NOTES		SCALE: N/A	
PDWG. NO.:	0456-1	DR.	TSP	REV.:	AO	UNIT: mm	PAGE: 2/2

深圳市步步精科技有限公司