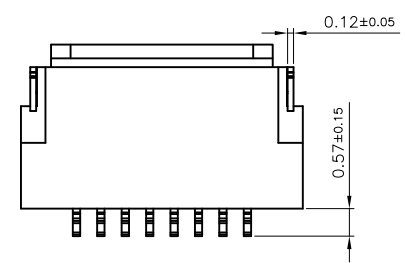
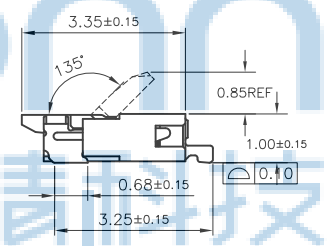
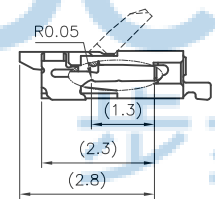
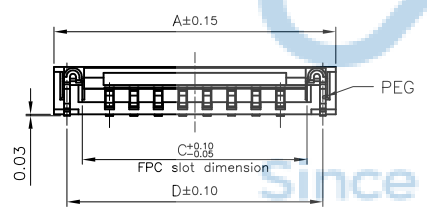
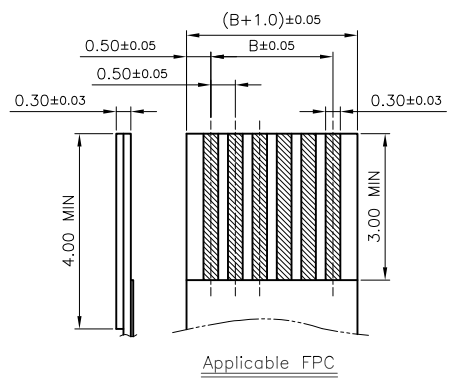
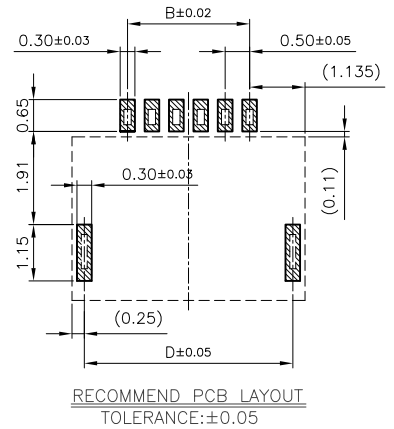
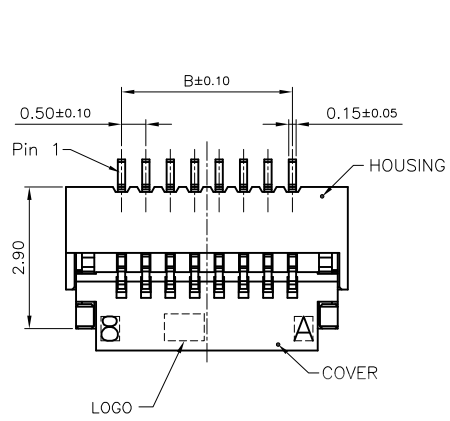


REV.	ECN NO	CONTENT	DATE	ENGINEER
A0				

NOTES:

- MATERIAL:  
HOUSING: HIGHT-TEMP PLASTIC,  
UL 94V-0, COLOR:WHITE;  
COVER: HIGHT-TEMP PLASTIC,  
UL 94V-0, COLOR:BLACK;  
CONTACT: COPPER ALLOY;  
PEG: COPPER ALLOY;
- PLATING:  
TERMINAL: 50~100u" Nickel UNDERPLATED OVERALL.  
S:100~160u" Matte Sn UNDERPLATED OVERALL.  
G:1u"Min Au UNDERPLATED CONTACT/SOLDER AREA.  
T:3u"Min Au UNDERPLATED CONTACT/SOLDER AREA.  
PEG: 50~100u" Nickel UNDERPLATED OVERALL.  
100~160u" Matte Sn PLATED ON Nickel OVERALL.
- RATING:  
CURRENT RATING: 0.4A AC/DC  
VOLTAGE RATING: 50V AC/DC  
TEMPERATURE RANGE: -55° C~+85° C;



PIN NO.	DIM. A	DIM. B	DIM. C	DIM. D	PIN NO.	DIM. A	DIM. B	DIM. C	DIM. D
04	3.77	1.50	2.60	3.27	23	13.27	11.50	12.10	12.77
05	4.27	2.00	3.10	3.77	24	13.77	11.50	12.60	13.27
06	4.77	2.50	3.60	4.27	25	14.27	12.00	13.10	13.77
07	5.27	3.00	4.10	4.77	26	14.77	12.50	13.60	14.27
08	5.77	3.50	4.60	5.27	27	15.27	13.00	14.10	14.77
09	6.27	4.00	5.10	5.77	28	15.77	13.50	14.60	15.27
10	6.77	4.50	5.60	6.27	29	16.27	14.00	15.10	15.77
11	7.27	5.00	6.10	6.77	30	16.77	14.50	15.60	16.27
12	7.77	5.50	6.60	7.27	31	17.27	15.00	16.10	16.77
13	8.27	6.00	7.10	7.77	32	17.77	15.50	16.60	17.27
14	8.77	6.50	7.60	8.27	33	18.27	16.00	17.10	17.77
15	9.27	7.00	8.10	8.77	34	18.77	16.50	17.60	18.27
16	9.77	7.50	8.60	9.27	35	19.27	17.00	18.10	18.77
17	10.27	8.00	9.10	9.77	36	19.77	17.50	18.60	19.27
18	10.77	8.50	9.60	10.27	37	20.27	18.00	19.10	19.77
19	11.27	9.00	10.10	10.77	38	20.77	18.50	19.60	20.27
20	11.77	9.50	10.60	11.27	39	21.27	19.00	20.10	20.77
21	12.27	10.00	11.10	11.77	40	21.77	19.50	20.60	21.27
22	12.77	10.50	11.60	12.27	n	n*0.5+1.77	(n-1)*0.5	n*0.5+0.6	n*0.5+1.27



THIS DOCUMENT IS THE SOLE PROPERTY OF BBJconn Technology Co.,Ltd. Corporation AND SHOULD NOT BE USED IN WHOLE OR IN PART WITHOUT PRIOR WRITTEN PERMISSION.

PDWG.NO: 0428-1

DR. SGF

APPD. JM\_Zheng

CHKD. LYX

NAME: FPC 0.5-6P 翻盖下接 H=1.0

PJ. NO.: PC.02.04-12-D001

SIZE: A4 | DRW NO.:

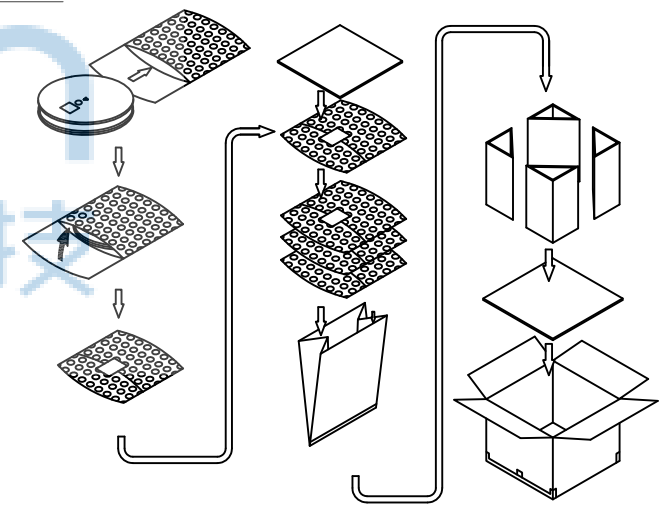
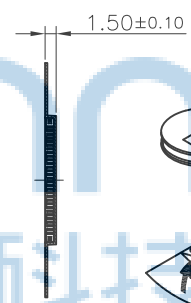
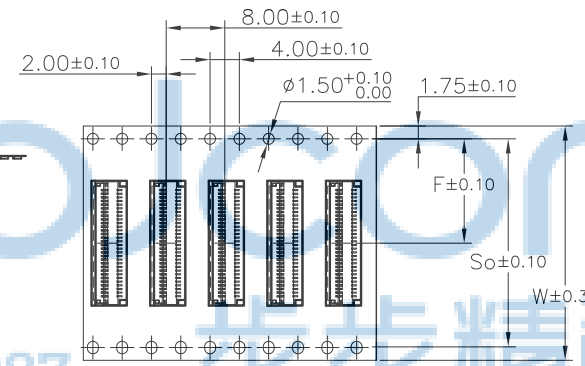
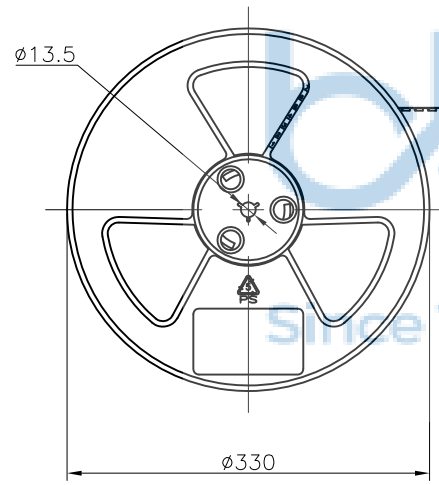
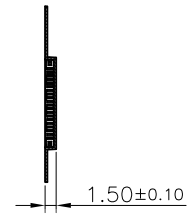
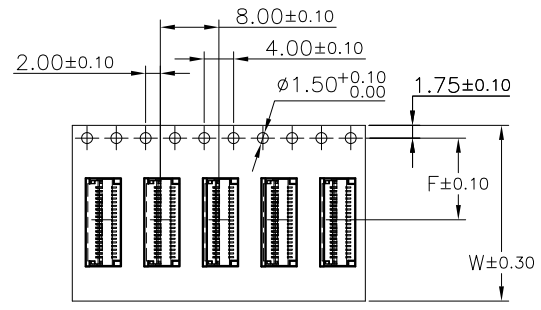
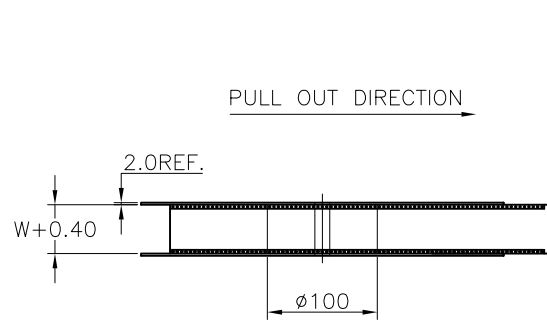
FINISH: SEE NOTES | MAT'L.: SEE NOTES

SCALE: N/A | REV.: A0 | UNIT: mm | PAGE: 1/2

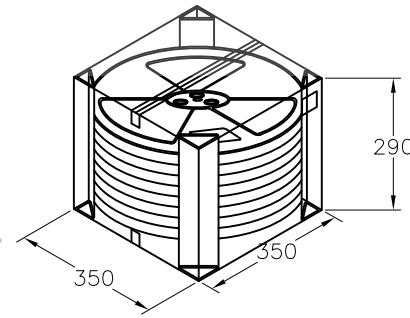
**深圳市步步精科技有限公司**

REV.	ECN NO.	CONTENT	DATE	ENGINEER
AO				

NOTES:  
 1. ALL DIMENSION MEET EIA-481-3 REQUIREMENTS;  
 2. CARRIER MATERIAL: PS, BLACK;  
 3. PACKING QULITY: 5000PCS/REEL;



SCALE 3:20



PACKING DISCRPTION:

PIN No.	04~07	08~13	14~30	31~40	41~50	PIN NO.	DIM W	DIM F	DIM So
REEL WIDTH	12.4	16.4	24.4	32.4	44.4	04~07	12.0	5.50±0.05	--
PCS/REEL	5000	5000	5000	5000	5000	08~13	16.0	7.50±0.10	--
REEL/BOX	11	9	7	6	5	14~30	24.0	11.50±0.10	--
BOX/PCS	55K	45K	35K	30K	25K	31~40	32.0	14.20±0.10	28.4
CTN. SIZE	350*350*300					41~50	44.0	20.20±0.15	40.4



THIS DOCUMENT IS THE SOLE PROPERTY OF BBJconn Technology Co.,Ltd. Corporation AND SHOULD NOT BE USED IN WHOLE OR IN PART WITHOUT PRIOR WRITTEN PERMISSION.		深圳市步步精科技有限公司 .X: ±0.38    X': ±3" .XX: ±0.25    X'': ±2" .XXX: ±0.13    .XX': ±1"		NAME: FPC 0.5-6P 翻盖下接 H=1.0	
APPD.	JM_Zheng	PJ. NO.: PC.02.04-12-D001		SIZE: A4   DRW NO.:	
CHKD.	LYX	FINISH: SEE NOTES   MAT'L.: SEE NOTES		SCALE: N/A   REV.: A0   UNIT: mm   PAGE: 2/2	
PDWG.NO:	0428-1	DR.	SGF		