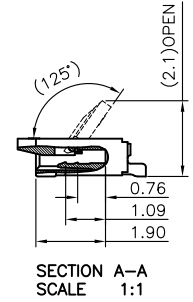
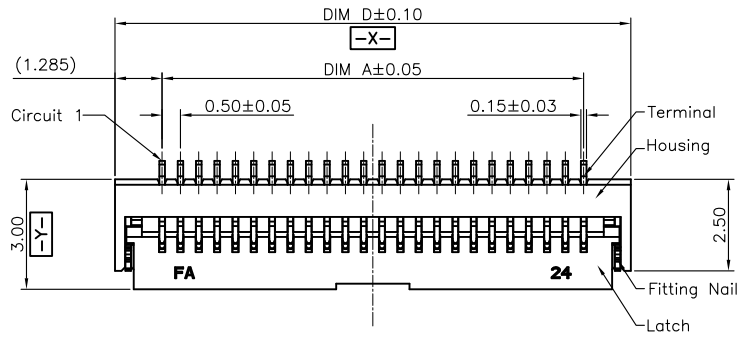
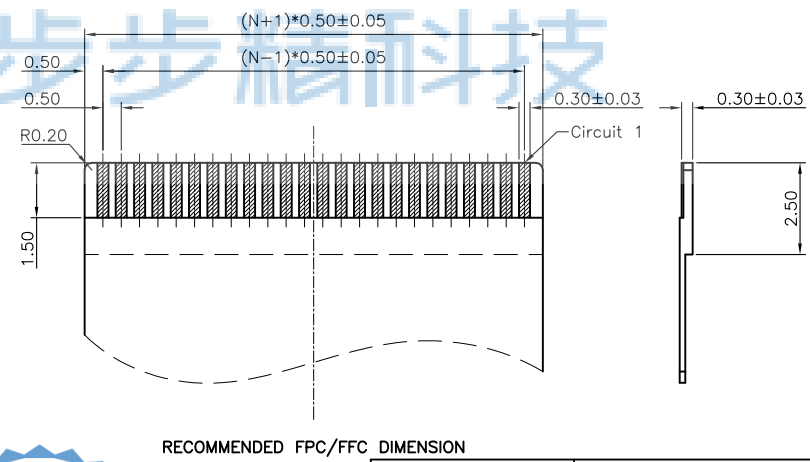
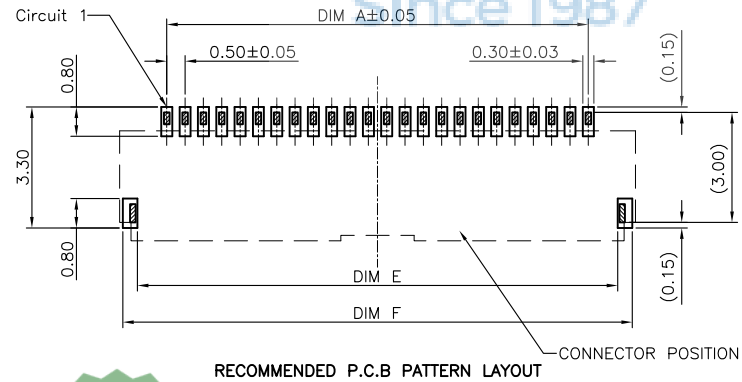
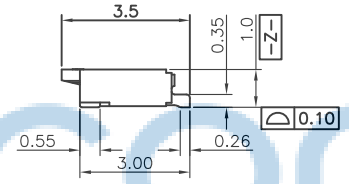
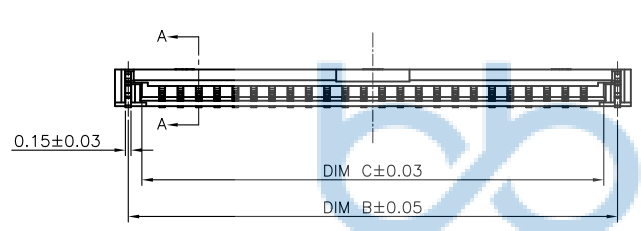


REV.	ECN NO	CONTENT	DATE	ENGINEER
A0				



- Note:**
- Material:**
    - Housing: thermoplastic high temp.UL94V-0; Color: natural.
    - Latch: thermoplastic high temp.UL94V-0; Color: black.
    - Terminal: copper alloy.
    - Fitting Nail: copper alloy.
  - Finish:**
    - Terminal:**  
Underplating: Gold flash overall.
    - Fitting Nail:**  
Underplating: matt Tin overall.
  - Product must comply HF RoHS specification.

CKTS	DIM A	DIM B	DIM C	DIM D	DIM E	DIM F
4	1.50	3.35	2.60	4.07	3.10	3.90
5	2.00	3.85	3.10	4.57	3.60	4.40
6	2.50	4.35	3.60	5.07	4.10	4.90
7	3.00	4.85	4.10	5.57	4.60	5.40
8	3.50	5.35	4.60	6.07	5.10	5.90
9	4.00	5.85	5.10	6.57	5.60	6.40
10	4.50	6.35	5.60	7.07	6.10	6.90
11	5.00	6.85	6.10	7.57	6.60	7.40
12	5.50	7.35	6.60	8.07	7.10	7.90
13	6.00	7.85	7.10	8.57	7.60	8.40
14	6.50	8.35	7.60	9.07	8.10	8.90
15	7.00	8.85	8.10	9.57	8.60	9.40
16	7.50	9.35	8.60	10.07	9.10	9.90
17	8.00	9.85	9.10	10.57	9.60	10.40
18	8.50	10.35	9.60	11.07	10.10	10.90
19	9.00	10.85	10.10	11.57	10.60	11.40
20	9.50	11.35	10.60	12.07	11.10	11.90
21	10.00	11.85	11.10	12.57	11.60	12.40
22	10.50	12.35	11.60	13.07	12.10	12.90
23	11.00	12.85	12.10	13.57	12.60	13.40
24	11.50	13.35	12.60	14.07	13.10	13.90
25	12.00	13.85	13.10	14.57	13.60	14.40
26	12.50	14.35	13.60	15.07	14.10	14.90
27	13.00	14.85	14.10	15.57	14.60	15.40
28	13.50	15.35	14.60	16.07	15.10	15.90
29	14.00	15.85	15.10	16.57	15.60	16.40
30	14.50	16.35	15.60	17.07	16.10	16.90
31	15.00	16.85	16.10	17.57	16.60	17.40
32	15.50	17.35	16.60	18.07	17.10	17.90
33	16.00	17.85	17.10	18.57	17.60	18.40
34	16.50	18.35	17.60	19.07	18.10	18.90
35	17.00	18.85	18.10	19.57	18.60	19.40
36	17.50	19.35	18.60	20.07	19.10	19.90
37	18.00	19.85	19.10	20.57	19.60	20.40
38	18.50	20.35	19.60	21.07	20.10	20.90
39	19.00	20.85	20.10	21.57	20.60	21.40
40	19.50	21.35	20.60	22.07	21.10	21.90
41	20.00	21.85	21.10	22.57	21.60	22.40
42	20.50	22.35	21.60	23.07	22.10	22.90
43	21.00	22.85	22.10	23.57	22.60	23.40
44	21.50	23.35	22.60	24.07	23.10	23.90
45	22.00	23.85	23.10	24.57	23.60	24.40
46	22.50	24.35	23.60	25.07	24.10	24.90
47	23.00	24.85	24.10	25.57	24.60	25.40
48	23.50	25.35	24.60	26.07	25.10	25.90
49	24.00	25.85	25.10	26.57	25.60	26.40
50	24.50	26.35	25.60	27.07	26.10	26.90



THIS DOCUMENT IS THE SOLE PROPERTY OF BBJconn Technology Co., Ltd. Corporation AND SHOULD NOT BE USED IN WHOLE OR IN PART WITHOUT PRIOR WRITTEN PERMISSION.

PDWG.NO: 0407-1

DR. SGF

APPD. JM\_Zheng

CHKD. LYX

NAME: 0.5-10P翻盖下接H=1.0

PJ. NO.: PC.02.04-12-C002

SIZE: A4 | DRW NO.:

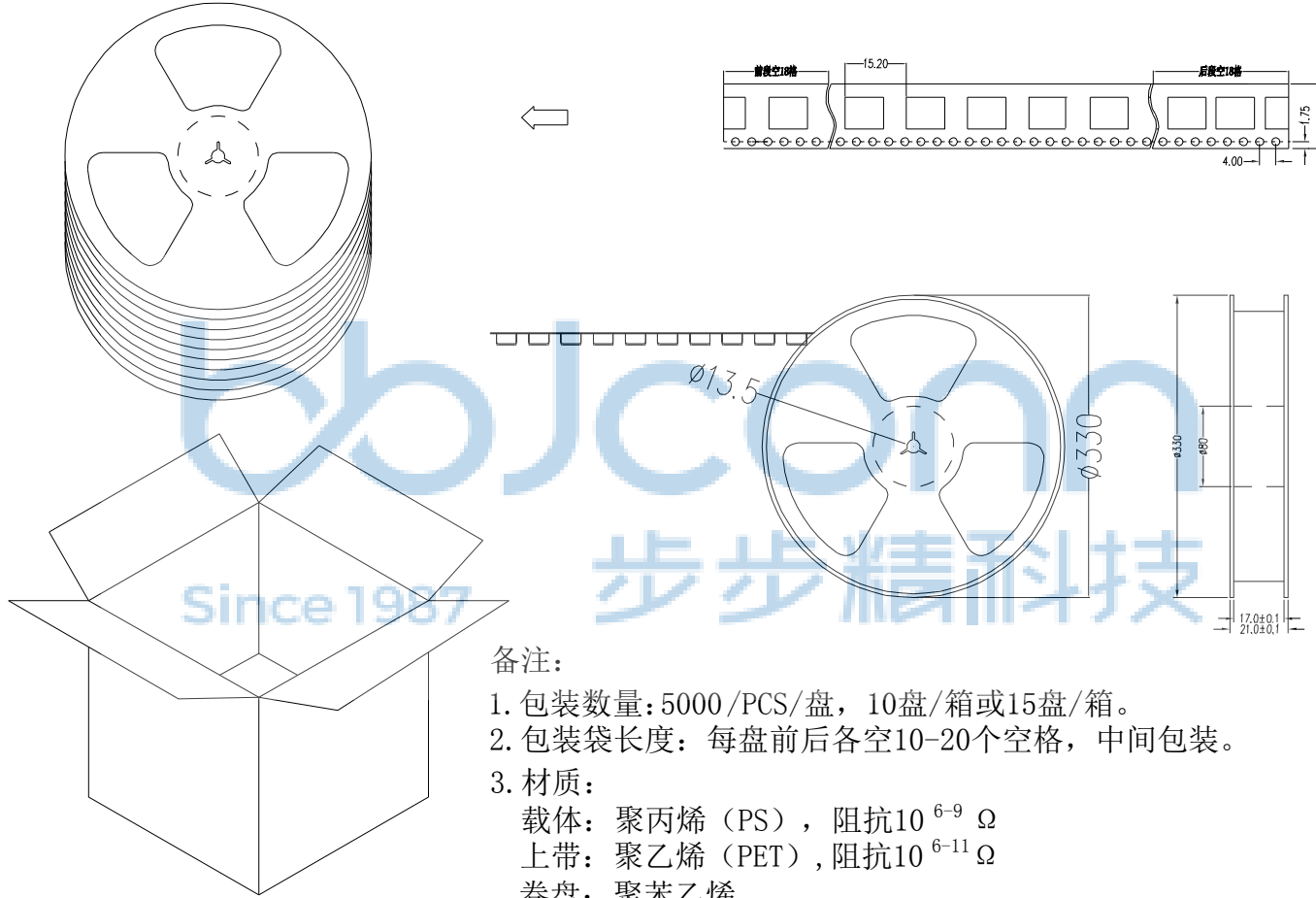
FINISH: SEE NOTES | MAT'L.: SEE NOTES

SCALE: N/A | REV.: A0 | UNIT: mm | PAGE: 1/2

深圳市步步精科技有限公司

.X: ±0.38 .XX: ±0.25 .XXX: ±0.13

X': ±3' .X': ±2' .XX': ±1'



备注:  
 1. 包装数量: 5000 /PCS/盘, 10盘/箱或15盘/箱。  
 2. 包装袋长度: 每盘前后各空10-20个空格, 中间包装。  
 3. 材质:  
 载体: 聚丙烯 (PS), 阻抗 $10^{6-9} \Omega$   
 上带: 聚乙烯 (PET), 阻抗 $10^{6-11} \Omega$   
 卷盘: 聚苯乙烯。

纸箱规格: 345\*345\*23MM  
 纸箱规格: 345\*345\*35MM

THIS DOCUMENT IS THE SOLE PROPERTY OF BBJconn Technology Co.,Ltd. Corporation AND SHOULD NOT BE USED IN WHOLE OR IN PART WITHOUT PRIOR WRITTEN PERMISSION.		深圳市步步精科技有限公司 .X: ±0.38    .X': ±3' .XX: ±0.25    .X': ±2' .XXX: ±0.13    .XX': ±1'		NAME: 0.5-10P翻盖下接H=1.0	
APPD.	JM_Zheng	PJ. NO.: PC.02.04-12-C002 SIZE: A4   DRW NO.:		FINISH: SEE NOTES    MAT'L.: SEE NOTES	
CHKD.	LYX	SCALE: N/A		REV.: A0	UNIT: mm
PDWG.NO:	0407-1	DR.	SGF	PAGE: 2/2	