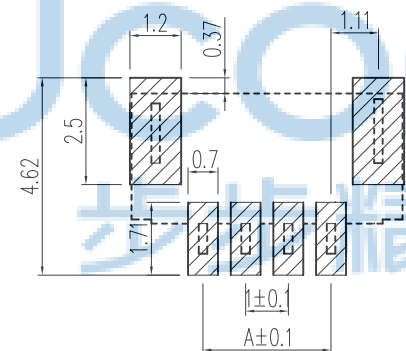
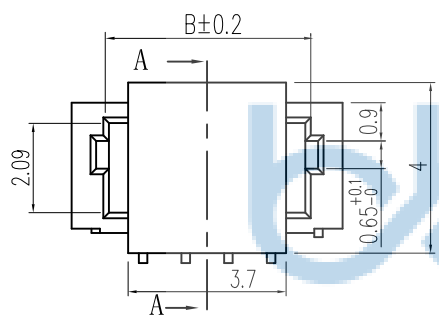
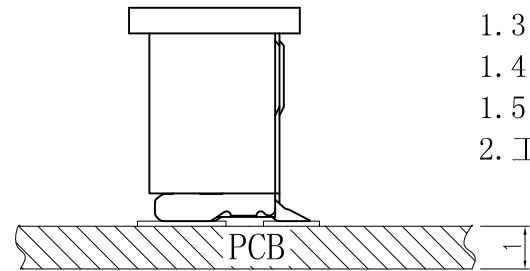
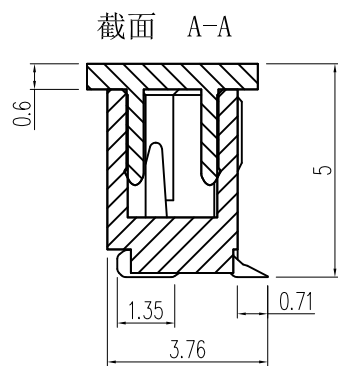
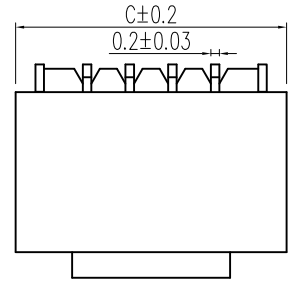
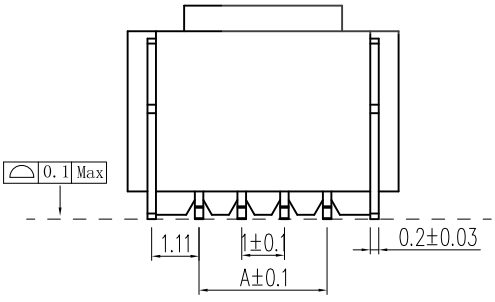
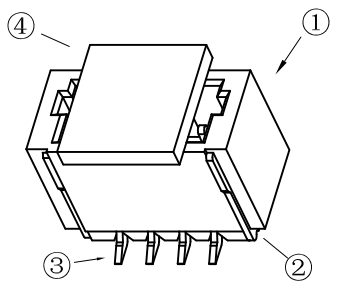


1. 技术参数:
- 1.1 额定电流: 0.5A AC/DC
 - 1.2 额定电压: 50V
 - 1.3 耐电压: 500V ACminute
 - 1.4 接触电阻: 20mΩ MAX
 - 1.5 绝缘电阻: 100MΩ MIN
 - 2. 工作温度: -25℃~+85℃



印制线路板



| Circuits | Dimensions (mm) | | | Circuits | Dimensions (mm) | | |
|------------|-----------------|------|-------|------------|-----------------|------|-------|
| | A | B | C | | A | B | C |
| 1. OLT-2P | 1.0 | 2.6 | 4.30 | 1. OLT-12P | 11.0 | 12.6 | 14.30 |
| 1. OLT-3P | 2.0 | 3.6 | 5.30 | 1. OLT-13P | 12.0 | 13.6 | 15.30 |
| 1. OLT-4P | 3.0 | 4.6 | 6.30 | 1. OLT-14P | 13.0 | 14.6 | 16.30 |
| 1. OLT-5P | 4.0 | 5.6 | 7.30 | 1. OLT-15P | 14.0 | 15.6 | 17.30 |
| 1. OLT-6P | 5.0 | 6.6 | 8.30 | 1. OLT-16P | 15.0 | 16.6 | 18.30 |
| 1. OLT-7P | 6.0 | 7.6 | 9.30 | | | | |
| 1. OLT-8P | 7.0 | 8.6 | 10.30 | | | | |
| 1. OLT-9P | 8.0 | 9.6 | 11.30 | | | | |
| 1. OLT-10P | 9.0 | 10.6 | 12.30 | | | | |
| 1. OLT-11P | 10.0 | 11.6 | 13.30 | | | | |

| NO | 物料名称 | 规格型号 | 数量(PCS) | 材质 | 镀涂 |
|----|------|------|---------|----------|----|
| ① | 基座 | 1.0 | 1 | LCPE130i | 本色 |
| ② | 焊片 | 1.0 | 2 | 磷铜 | 锡 |
| ③ | 插针 | 1.0 | 2~20 | 磷铜 | 锡 |
| ④ | 盖板 | 1.0 | 1 | LCPE130i | 本色 |



THIS DOCUMENT IS THE SOLE PROPERTY OF BBJconn Technology Co.,Ltd. Corporation AND SHOULD NOT BE USED IN WHOLE OR IN PART WITHOUT PRIOR WRITTEN PERMISSION.

PDWG.NO: 0013-1

DR. SGF

APPD. JM_Zheng

CHKD. LYX

NAME: 针座 1.0-14P 立贴 加盖 米黄色

PJ. NO.: WT.10.61-86-H001

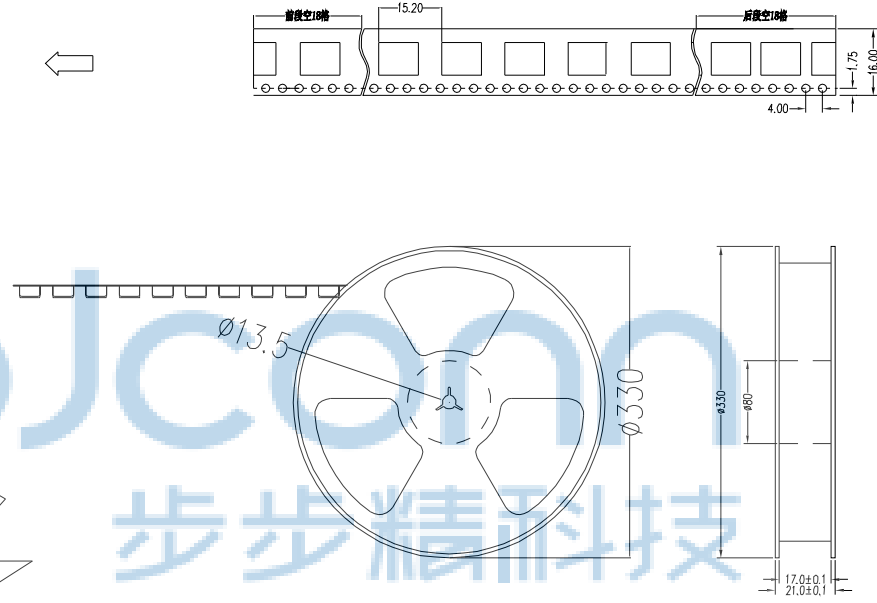
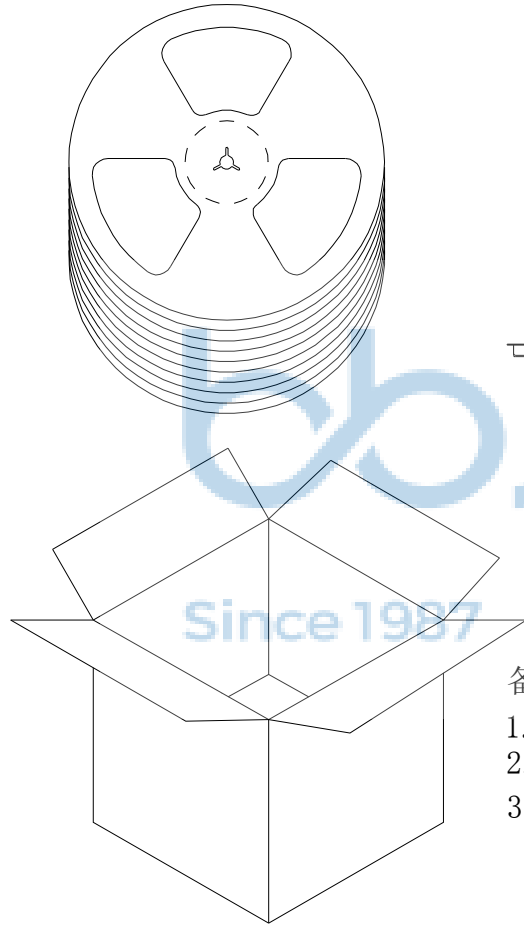
SIZE: A4 | DRW NO.:

FINISH: SEE NOTES | MAT'L.: SEE NOTES

SCALE: N/A | REV.: A0 | UNIT: mm | PAGE: 1/2

深圳市步步精科技有限公司

| | | | | |
|------|--------|---------|------|----------|
| REV. | ECN NO | CONTENT | DATE | ENGINEER |
| A0 | | | | |



备注:

1. 包装数量: 1500/PCS/卷, 10卷/箱或15卷/箱。
2. 包装袋长度: 每卷前后各空30个空格, 中间包装。
3. 材质:
载体: 聚丙烯 (PS), 阻抗 $10^{6-9} \Omega$
上带: 聚乙烯 (PET), 阻抗 $10^{6-11} \Omega$
卷盘: 聚苯乙烯。

纸箱规格: 345*345*23MM
纸箱规格: 345*345*35MM

| | | | | | | | |
|--|--|--|--|--|--|---|--|
| THIS DOCUMENT IS THE SOLE PROPERTY OF BBJconn Technology Co.,Ltd. Corporation AND SHOULD NOT BE USED IN WHOLE OR IN PART WITHOUT PRIOR WRITTEN PERMISSION. | | 深圳市步步精科技有限公司 .X: ±0.38 .XX: ±0.25 .XXX: ±0.13 X': ±3" .X': ±2" .XX': ±1" | | NAME: 针座 1.0-14P 立贴 加盖 米黄色 APPD. JM_Zheng CHKD. LYX DR. SGF | | PJ. NO.: WT.10.61-86-H001 SIZE: A4 DRW NO.: FINISH: SEE NOTES MAT'L.: SEE NOTES SCALE: N/A REV.: A0 UNIT: mm PAGE: 2/2 | |
|--|--|--|--|--|--|---|--|