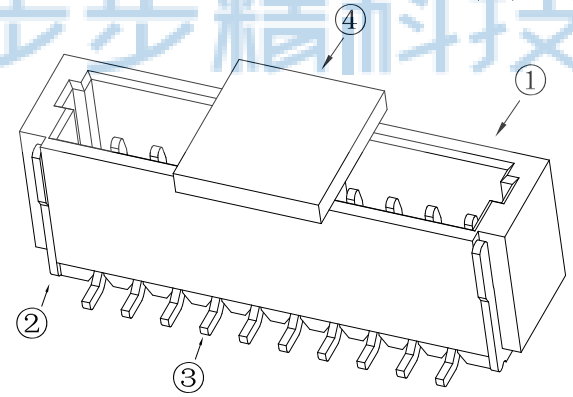
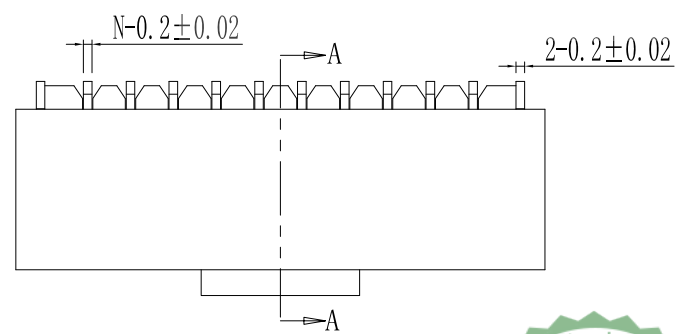
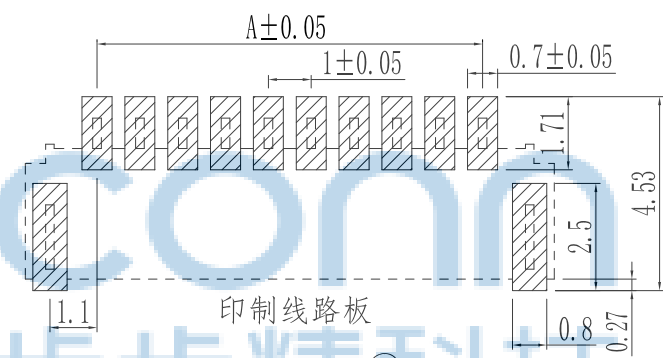
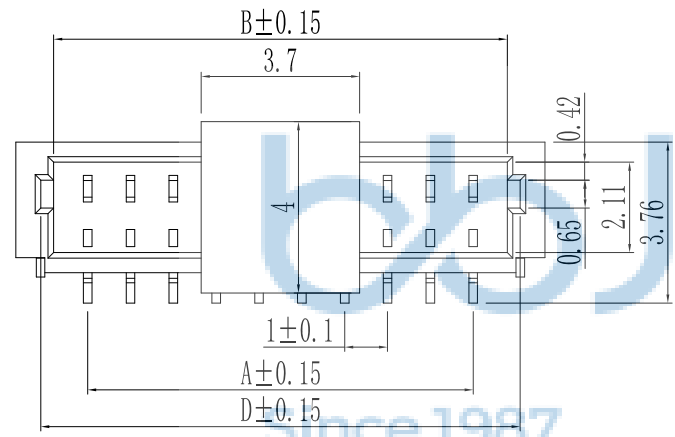
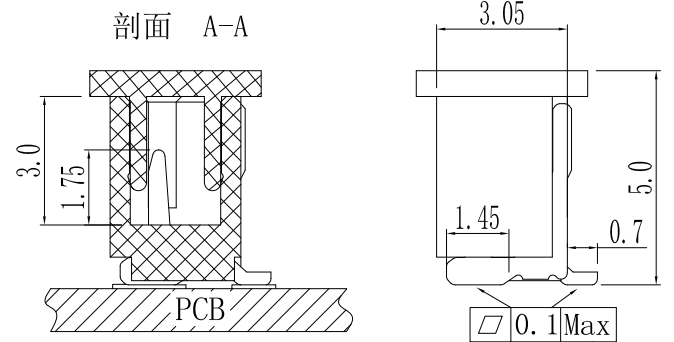
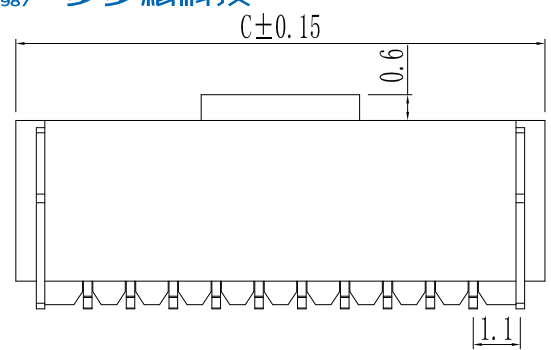


REV.	ECN NO.	CONTENT	DATE	ENGINEER
A0				

1. 技术参数:
 1.1 额定电流: 1.0A AC/DC
 1.2 额定电压: 50V AC/DC
 1.3 耐电压: 500V ACminute
 1.4 接触电阻: 20mΩ MAX
 1.5 绝缘电阻: 100MΩ MIN
 2. 工作温度: -25℃~+85℃



Dimensions (mm)				
Circuits	A	B	C	D
2PIN	1.0	2.5	4.3	3.2
3PIN	2.0	3.6	5.3	4.2
4PIN	3.0	4.5	6.3	5.2
5PIN	4.0	5.5	7.3	6.2
6PIN	5.0	6.5	8.3	7.2
7PIN	6.0	7.6	9.3	8.2
8PIN	7.0	8.5	10.3	9.2
9PIN	8.0	9.6	11.3	10.2
10PIN	9.0	10.6	12.3	11.2
11PIN	10.0	11.6	13.3	12.2
12PIN	11.0	12.6	14.3	13.2
13PIN	12.0	13.6	15.3	14.2
14PIN	13.0	14.6	16.3	15.2
15PIN	14.0	15.6	17.3	16.2
16PIN	15.0	16.6	18.3	17.2
17PIN	16.0	17.6	19.3	18.2
18PIN	17.0	18.6	20.3	19.2

NO	物料名称	数量 (PCS)	材质	镀涂
①	塑胶件	1 PCS	LCP	本色
②	焊片	2 PCS	磷铜C5191	亮锡
③	PIN针	2~16 PCS	磷铜C5191	亮锡
④	盖板	1 PCS	LCP	本色



THIS DOCUMENT IS THE SOLE PROPERTY OF BBJconn Technology Co.,Ltd. Corporation AND SHOULD NOT BE USED IN WHOLE OR IN PART WITHOUT PRIOR WRITTEN PERMISSION.
 PDWG.NO: 0013-1

深圳市步步精科技有限公司

NAME: 针座 1.0-18P 立贴 加盖 米黄色

PJ. NO.: WT.10.61-85-H009

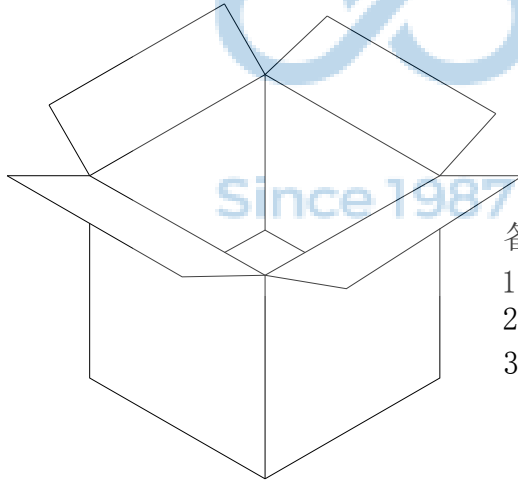
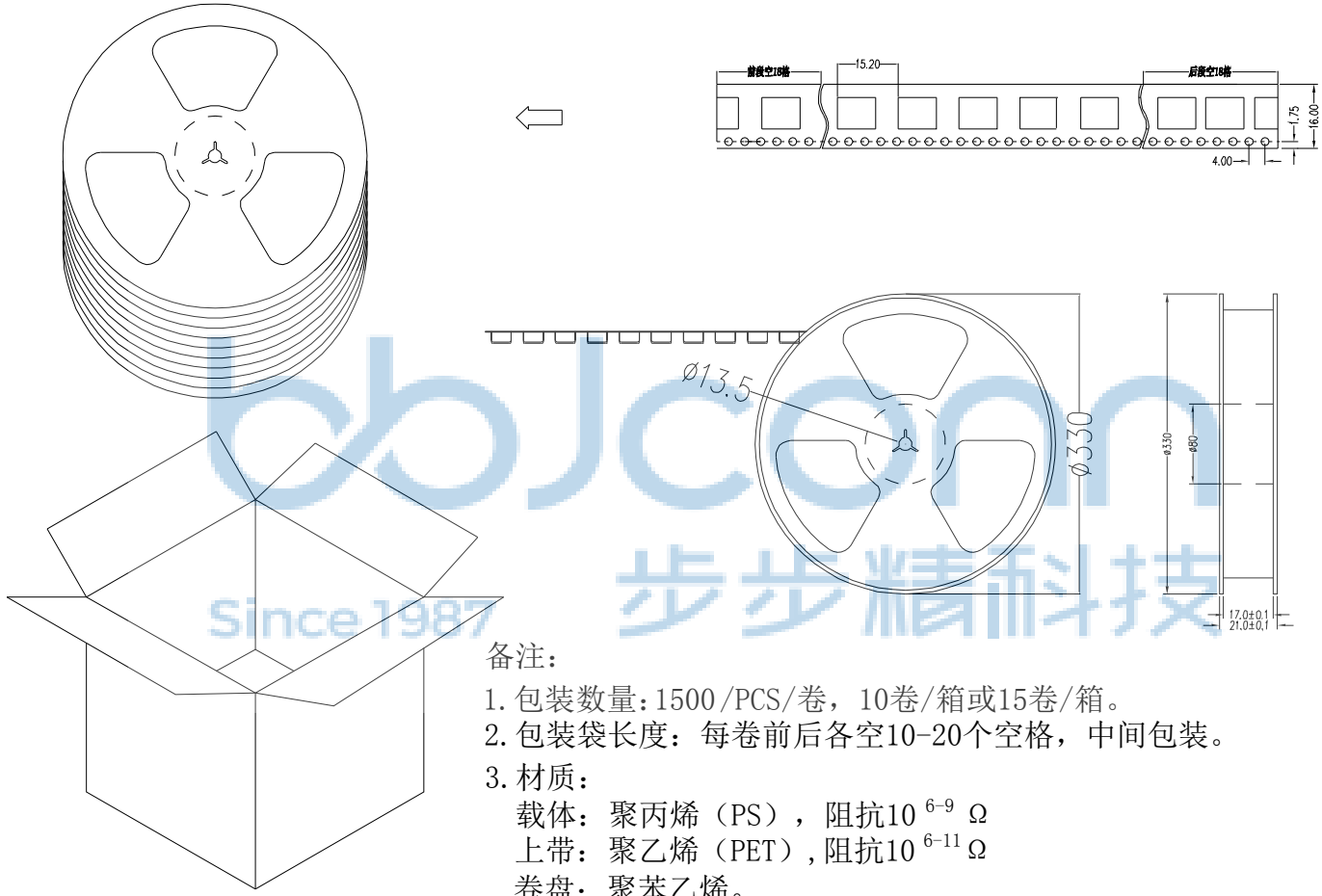
SIZE: A4 | DRW NO.:

FINISH: SEE NOTES | MAT'L.: SEE NOTES

SCALE: N/A | REV.: A0 | UNIT: mm | PAGE: 1/2

APPD. JM_Zheng
 CHKD. LYX
 DR. SGF

REV.	ECN NO	CONTENT	DATE	ENGINEER
A0				



备注:
 1. 包装数量: 1500 / PCS / 卷, 10卷 / 箱或15卷 / 箱。
 2. 包装袋长度: 每卷前后各空10-20个空格, 中间包装。
 3. 材质:
 载体: 聚丙烯 (PS), 阻抗 $10^{6-9} \Omega$
 上带: 聚乙烯 (PET), 阻抗 $10^{6-11} \Omega$
 卷盘: 聚苯乙烯。
 纸箱规格: 345*345*23MM
 纸箱规格: 345*345*35MM



THIS DOCUMENT IS THE SOLE PROPERTY OF BBJconn Technology Co.,Ltd. Corporation AND SHOULD NOT BE USED IN WHOLE OR IN PART WITHOUT PRIOR WRITTEN PERMISSION.		深圳市步步精科技有限公司 .X: ±0.38 .X': ±3" .XX: ±0.25 .X': ±2" .XXX: ±0.13 .XX': ±1"		NAME: 针座 1.0-18P 立贴 加盖 米黄色	
APPD.	JM_Zheng	PJ. NO.: WT.10.61-85-H009 SIZE: A4 DRW NO.:		FINISH: SEE NOTES MAT'L.: SEE NOTES	
CHKD.	LYX	SCALE: N/A		REV.: A0	UNIT: mm
PDWG.NO:	0013-1	DR.	SGF	PAGE: 2/2	