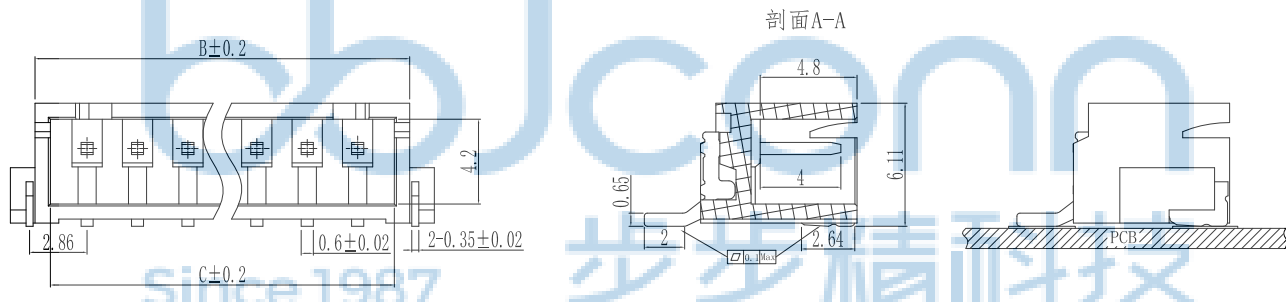
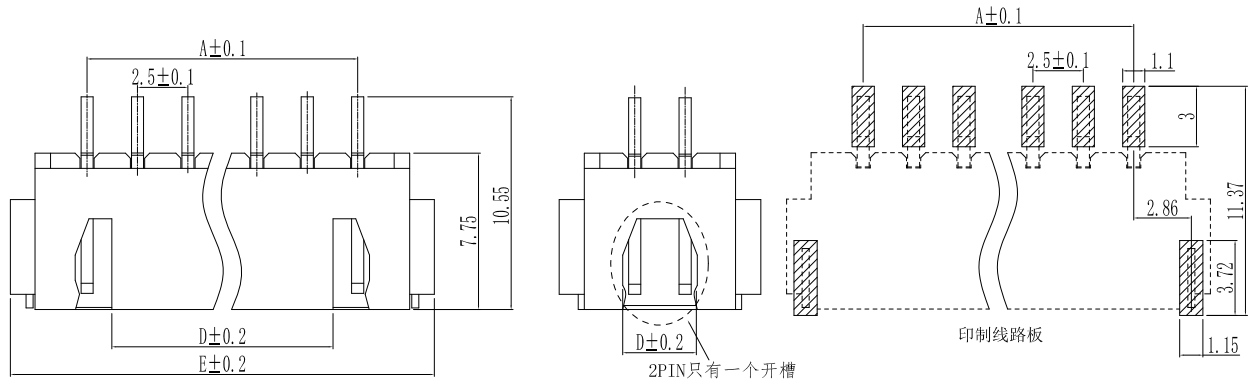
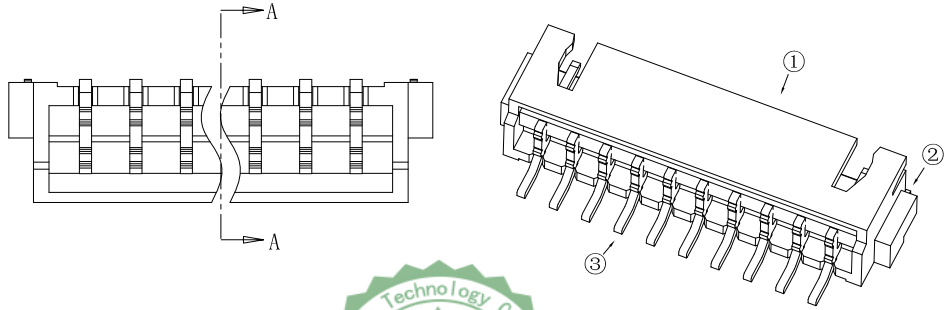


REV.	ECN NO	CONTENT	DATE	ENGINEER
A0				

1. 技术参数:
- 1.1 额定电流: 3.0A AC/DC
  - 1.2 额定电压: 250V AC/DC
  - 1.3 耐电压: 1000V AC/minute
  - 1.4 接触电阻: 20mΩ MAX
  - 1.5 绝缘电阻: 1000MΩ MIN
  - 2. 工作温度: -40℃ ~ +105℃



Circuits	Dimensions (mm)				
	A	B	C	D	E
2.5WT-2P	2.50	7.50	6.00	3.65	10.0
2.5WT-3P	5.00	10.0	8.50	2.50	12.5
2.5WT-4P	7.50	12.50	11.00	5.00	15.0
2.5WT-5P	10.00	15.0	13.50	7.50	17.5
2.5WT-6P	12.50	17.50	16.00	10.00	20.0
2.5WT-7P	15.00	20.0	18.50	12.50	22.5
2.5WT-8P	17.50	22.5	21.00	15.00	25.0
2.5WT-9P	20.00	25.0	23.50	17.50	27.5
2.5WT-10P	22.50	27.50	26.00	20.00	30.0
2.5WT-11P	25.00	30.0	28.50	22.50	32.5
2.5WT-12P	27.50	32.50	31.00	25.00	35.0
2.5WT-13P	30.00	35.00	33.50	27.50	37.5
2.5WT-14P	32.50	37.50	36.00	30.00	40.0
2.5WT-15P	35.00	40.00	38.50	32.50	42.5
2.5WT-16P	37.50	42.50	41.00	35.00	45.0



NO	物料名称	数量 (PCS)	材质	镀涂
①	塑胶件	1 PCS	LCP	本色
②	焊片	2 PCS	黄铜 H65	亮锡
③	PIN针	2~16 PCS	黄铜 H65	亮锡

THIS DOCUMENT IS THE SOLE PROPERTY OF BBJconn Technology Co.,Ltd. Corporation AND SHOULD NOT BE USED IN WHOLE OR IN PART WITHOUT PRIOR WRITTEN PERMISSION.

PDWG.NO: 0013-1

**深圳市步步精科技有限公司**

NAME: 针座 2.54-11P 卧贴 米黄色

PJ. NO.: WT.02.61-73-H004

SIZE: A4 DRW NO.:

FINISH: SEE NOTES MAT'L.: SEE NOTES

SCALE: N/A REV.: A0 UNIT: mm PAGE: 1/2

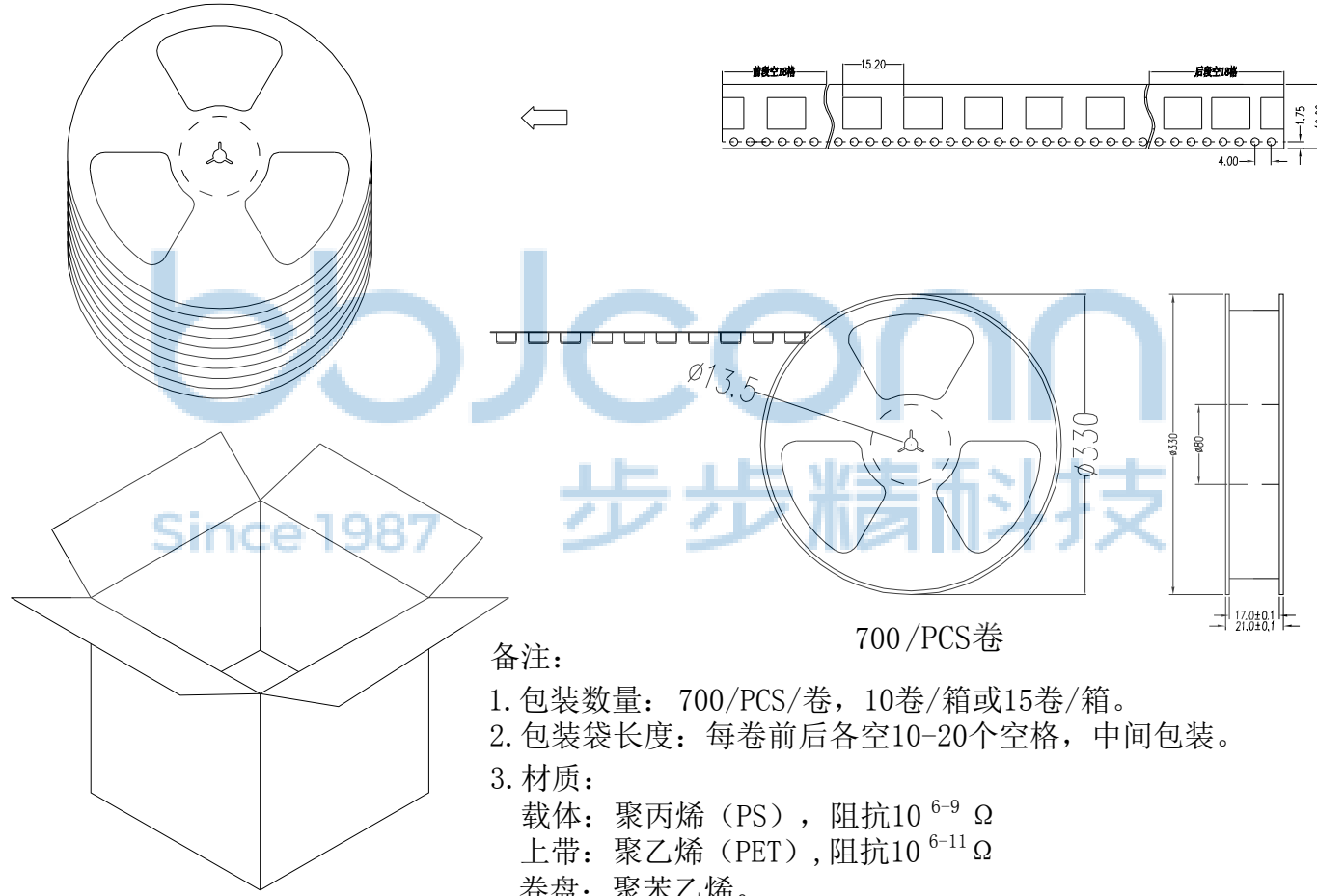
APPD. JM\_Zheng

CHKD. LYX

DR. SGF

.X: ±0.38 .XX: ±0.25 .XXX: ±0.13

X': ±3' .X': ±2' .XX': ±1'



700 /PCS卷

备注:

1. 包装数量: 700/PCS/卷, 10卷/箱或15卷/箱。
2. 包装袋长度: 每卷前后各空10-20个空格, 中间包装。
3. 材质:  
载体: 聚丙烯 (PS), 阻抗 $10^{6-9} \Omega$   
上带: 聚乙烯 (PET), 阻抗 $10^{6-11} \Omega$   
卷盘: 聚苯乙烯。

纸箱规格: 345\*345\*23MM  
纸箱规格: 345\*345\*35MM

THIS DOCUMENT IS THE SOLE PROPERTY OF BBJconn Technology Co.,Ltd. Corporation AND SHOULD NOT BE USED IN WHOLE OR IN PART WITHOUT PRIOR WRITTEN PERMISSION.		深圳市步步精科技有限公司 .X: ±0.38    .X': ±3' .XX: ±0.25    .X'': ±2' .XXX: ±0.13    .XX': ±1'		NAME: 针座 2.54-11P 卧贴 米黄色	
APPD.	JM_Zheng	PJ. NO.: WT.02.61-73-H004 SIZE: A4 DRW NO.:		FINISH: SEE NOTES    MAT'L.: SEE NOTES	
CHKD.	LYX	PDWG.NO: 0013-1		DR.	SGF
		SCALE: N/A	REV.: A0	UNIT: mm	PAGE: 2/2