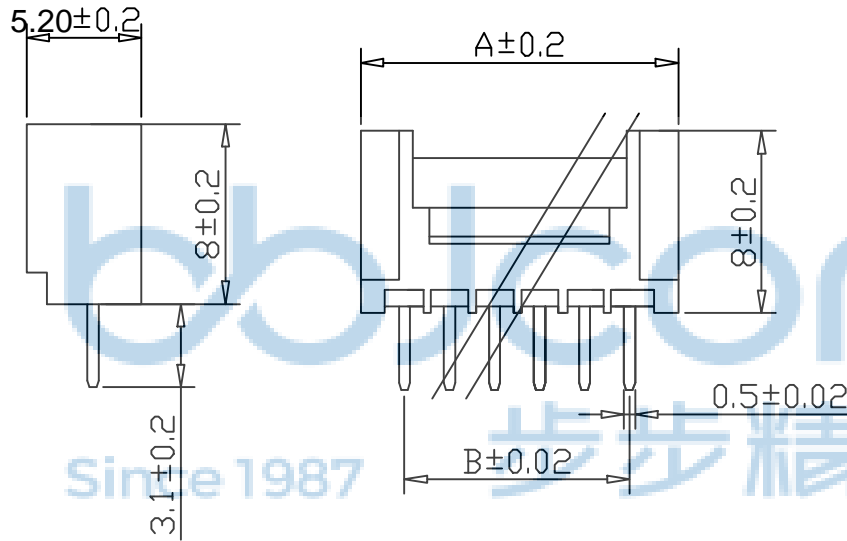


REV.	ECN NO	CONTENT	DATE	ENGINEER
A0				

使用温度范围 (Ambient temperature Range):  $-25^{\circ} \sim +85^{\circ}$   
 适用线规 (Applicable Wires): AWG 28#~22#  
 适用基板厚度 (Applicable PCboard thickness): 0.8mm~1.6mm  
 额定电压 (Voltage rating): 500V AC, DC  
 额定电流 (Current rating): 2A  
 接触电阻 (Contact Resistance):  $\leq 0.03 \Omega$   
 绝缘电阻 (Insulation Resistance):  $\geq 500M \Omega$   
 耐压 (Withstand Voltage): 500V/min

材料 (Material)

1. 基座: PA66
2. 插针: 黄铜



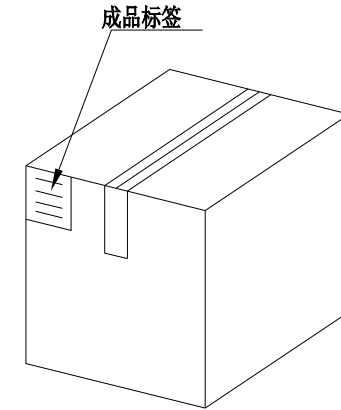
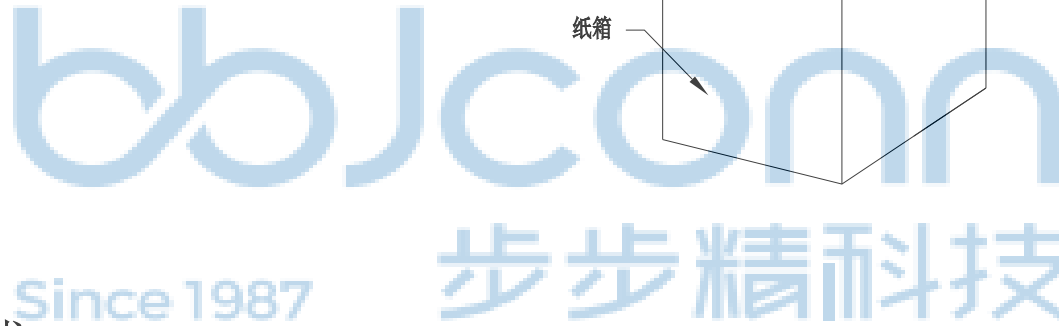
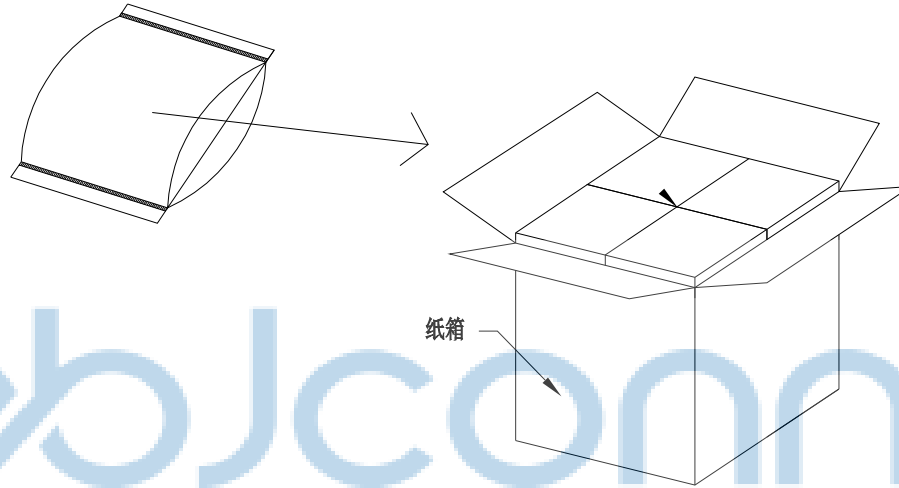
孔位	A	B
2	6.0	2.0
3	8.0	4.0
4	10.0	6.0
5	12.0	8.0
6	14.0	10.0
7	16.0	12.0
8	18.0	14.0
9	20.0	16.0
10	22.0	18.0
11	24.0	20.0
12	26.0	22.0
13	28.0	24.0
14	30.0	26.0
15	32.0	28.0



THIS DOCUMENT IS THE SOLE PROPERTY OF BBJconn Technology Co., Ltd. Corporation AND SHOULD NOT BE USED IN WHOLE OR IN PART WITHOUT PRIOR WRITTEN PERMISSION.		深圳市步步精科技有限公司 NAME: HY-9A (2.0-9P) 直针 带扣 米黄色	
APPD.	JM_Zheng	PJ. NO.: WT.01.63-11-1012 SIZE: A4 DRW NO.:	FINISH: SEE NOTES MAT'L.: SEE NOTES SCALE: N/A REV.: A0 UNIT: mm PAGE: 1/2
CHKD.	LYX		
PDWG.NO:	0102-1	DR.	SGF

REV.	ECN NO	CONTENT	DATE	ENGINEER
A0				

PE袋规格:\*\*\*X\*\*\* (以实际出货为准)



1. 包装要求:

- 1.1 每PE袋包装 1000 pcs;
- 1.2 每1袋放一小纸盒;
- 1.3 每20个小纸盒放一个纸箱, 共计20000PCS
- 1.4 纸箱外贴上标签



THIS DOCUMENT IS THE SOLE PROPERTY OF BBJconn Technology Co.,Ltd. Corporation AND SHOULD NOT BE USED IN WHOLE OR IN PART WITHOUT PRIOR WRITTEN PERMISSION.		深圳市步步精科技有限公司 .X: ±0.38    X': ±3' .XX: ±0.25    .X': ±2' .XXX: ±0.13    .XX': ±1'		NAME: HY-9A (2.0-9P) 直针 带扣 米黄色	
APPD.	JM_Zheng	PJ. NO.: WT.01.63-11-1012		SIZE: A4   DRW NO.:	
CHKD.	LYX	FINISH: SEE NOTES   MAT'L.: SEE NOTES		SCALE: N/A   REV.: A0   UNIT: mm   PAGE: 2/2	
PDWG.NO:	0102-1	DR.	SGF		