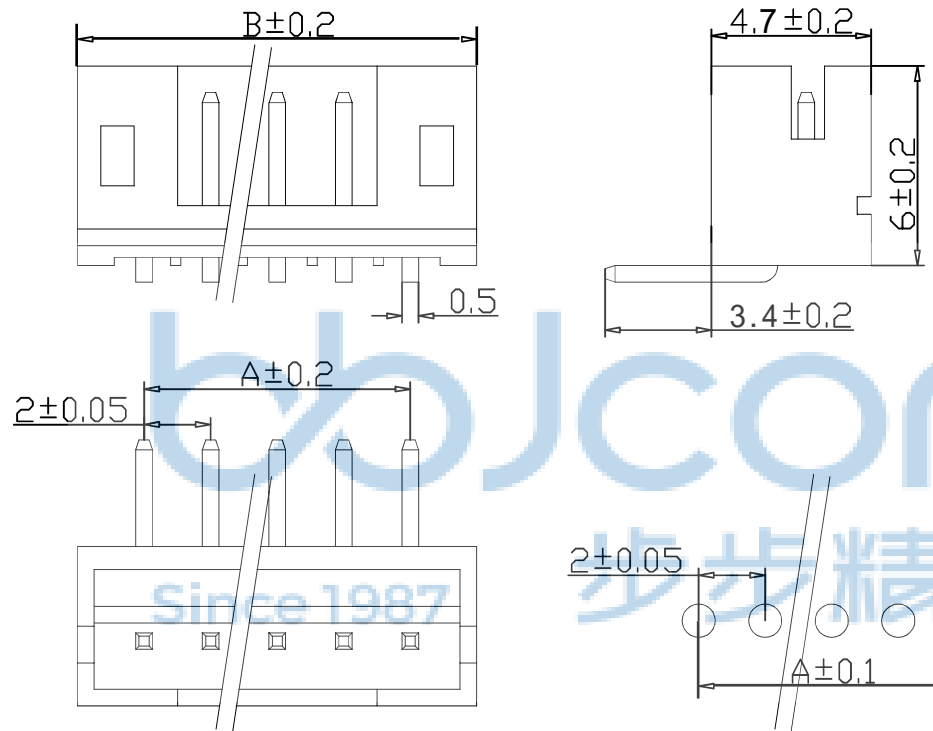


REV.	ECN NO	CONTENT	DATE	ENGINEER
A0				

使用温度范围 (Ambient temperature Range): $-25^{\circ} \sim +85^{\circ}$
 适用基板厚度 (Applicable PCboard thickness): 1.6mm
 额定电压 (Voltage rating): 250V AC, DC
 额定电流 (Current rating): 3A
 接触电阻 (Contact Resistance): $\leq 0.02 \Omega$
 绝缘电阻 (Insulation Resistance): $\geq 1000M \Omega$
 耐压 (Withstand Voltage): 1000V/min
 耐温 (Temperature resistance): $230^{\circ} \sim 250^{\circ}$
 材料 (Material)
 1. 基座: PA66
 2. 插针: 黄铜



孔位	2	3	4	5	6	7	8	9
A	2.0	4.0	6.0	8.0	10.0	12.0	14.0	16.0
B	6.0	8.0	10.0	12.0	14.0	16.0	18.0	20.0
孔位	10	11	12	13	14	15	16	
A	18.0	20.0	22.0	24.0	26.0	28.0	30.0	
B	22.0	24.0	26.0	28.0	30.0	32.0	34.0	

范围	>0-3	>3-18	>18-50	>50-100
公差	± 0.15	± 0.2	± 0.3	± 0.5



THIS DOCUMENT IS THE SOLE PROPERTY OF BBJconn Technology Co., Ltd. CORPORATION AND SHOULD NOT BE USED IN WHOLE OR IN PART WITHOUT PRIOR WRITTEN PERMISSION.

PDWG.NO: 0102-1

DR. SGF

APPD. JM_Zheng

CHKD. LYX

NAME: PH-3AW (2.0-3P) 弯针 米黄色

PJ. NO.: WT.01.61-21-1004

SIZE: A4 DRW NO.:

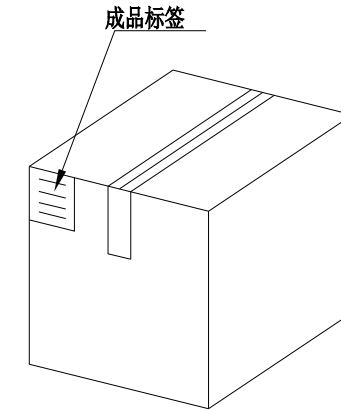
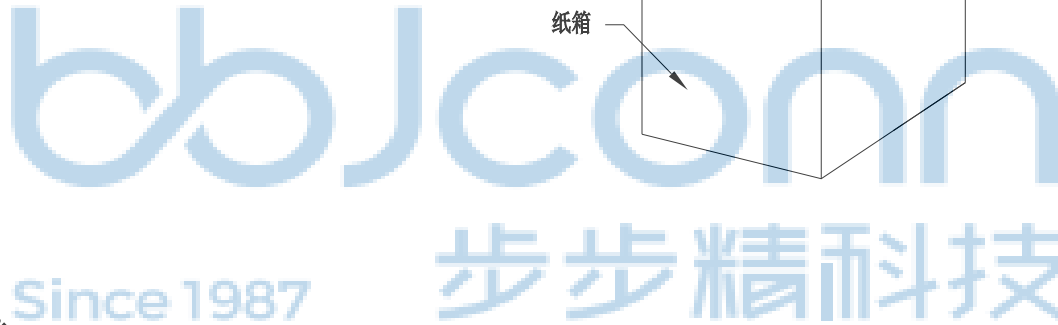
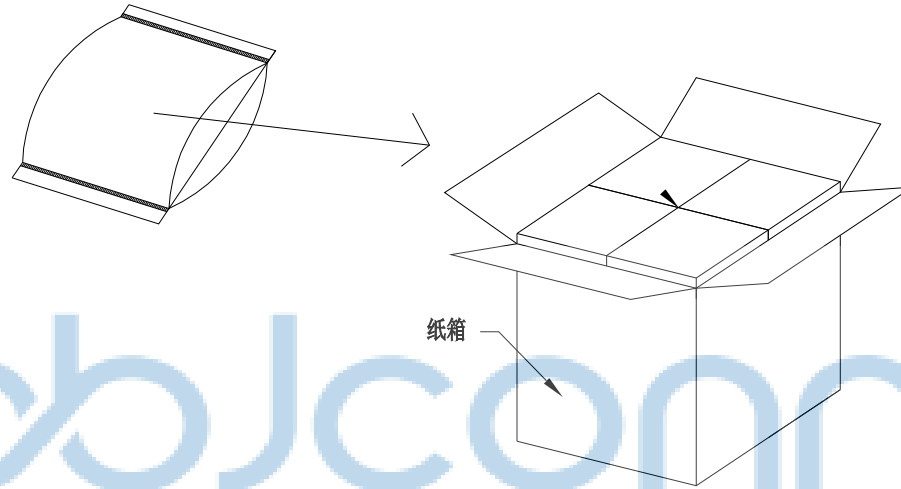
FINISH: SEE NOTES MAT'L.: SEE NOTES

SCALE: N/A REV.: A0 UNIT: mm PAGE: 1/2

深圳市步步精科技有限公司

REV.	ECN NO	CONTENT	DATE	ENGINEER
A0				

PE袋规格:***x*** (以实际出货为准)



1. 包装要求:

- 1.1 每PE袋包装 2000pcs;
- 1.2 每1袋放一小纸盒;
- 1.3 每20个小纸盒放一个纸箱, 共计40000PCS
- 1.4 纸箱外贴上标签



THIS DOCUMENT IS THE SOLE PROPERTY OF BBJconn Technology Co.,Ltd. Corporation AND SHOULD NOT BE USED IN WHOLE OR IN PART WITHOUT PRIOR WRITTEN PERMISSION.		深圳市步步精科技有限公司 .X: ±0.38 X': ±3' .XX: ±0.25 .X": ±2" .XXX: ±0.13 .XX': ±1'		NAME: PH-3AW (2.0-3P) 弯针 米黄色	
APPD.	JM_Zheng	PJ. NO.: WT.01.61-21-1004 SIZE: A4 DRW NO.:		FINISH: SEE NOTES MAT'L.: SEE NOTES	
CHKD.	LYX	SCALE: N/A		REV.: A0	UNIT: mm
PDWG.NO:	0102-1	DR.	SGF		PAGE: 2/2