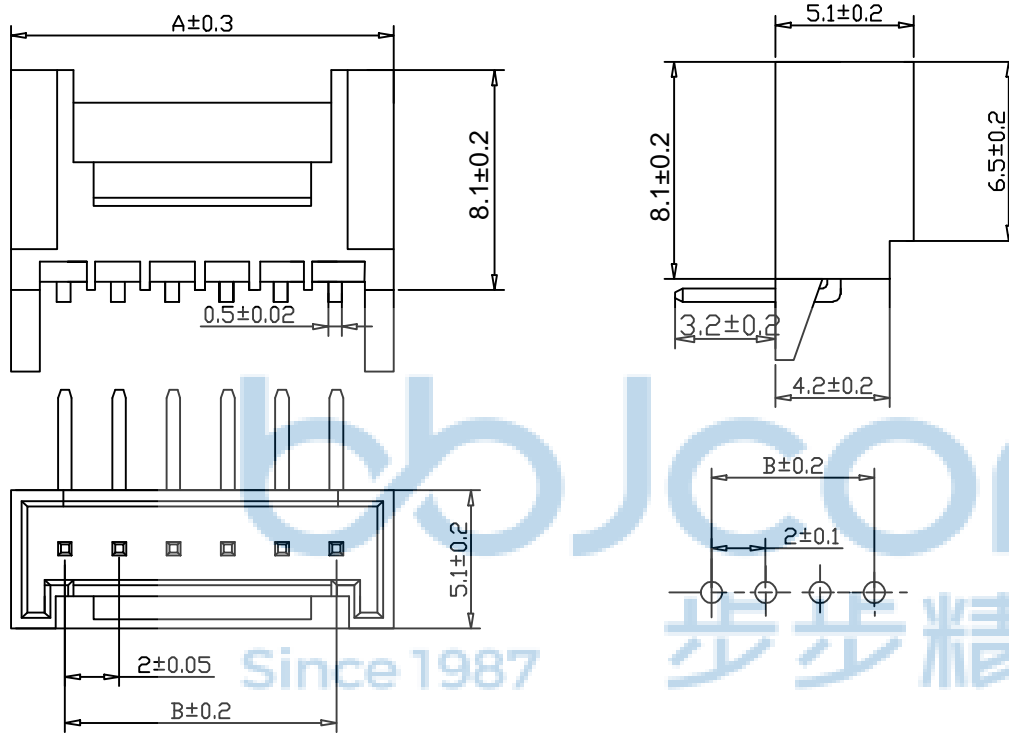


REV.	ECN NO	CONTENT	DATE	ENGINEER
A0				

使用温度范围 (Ambient temperature Range): $-25^{\circ} \sim +85^{\circ}$
 适用线规 (Applicable Wires): AWG 28#~22#
 适用基板厚度 (Applicable PCboard thickness): 0.8mm~1.6mm
 额定电压 (Voltage rating): 250V AC, DC
 额定电流 (Current rating): 2A
 接触电阻 (Contact Resistance): $\leq 0.03 \Omega$
 绝缘电阻 (Insulation Resistance): $\geq 1000M \Omega$
 耐压 (Withstand Voltage): 800V/min
 材料 (Material)
 1. 基座: PA66 增强尼龙
 2. 插针: 黄铜



孔位	A	B
2	6.0	2.0
3	8.0	4.0
4	10.0	6.0
5	12.0	8.0
6	14.0	10.0
7	16.0	12.0
8	18.0	14.0
9	20.0	16.0
10	22.0	18.0
11	24.0	20.0
12	26.0	22.0
13	28.0	24.0
14	30.0	26.0
15	32.0	28.0
16	34.0	30.0

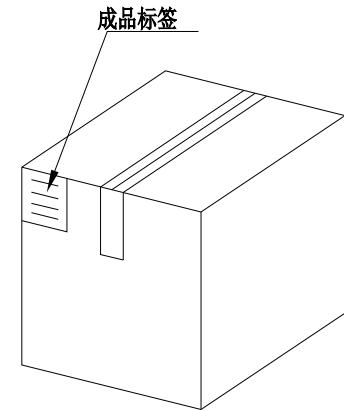
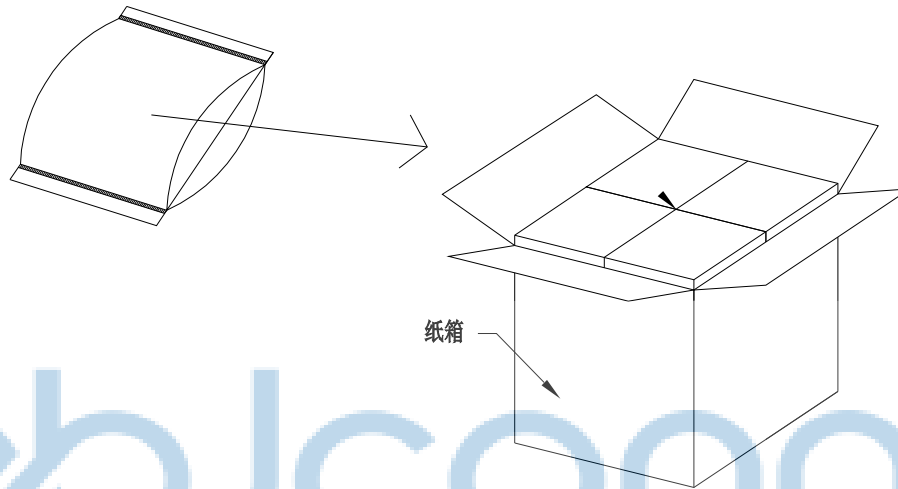
未注公差				
范围	>0-3	>3-18	>18-50	>50-100
公差	± 0.15	± 0.2	± 0.3	± 0.5



THIS DOCUMENT IS THE SOLE PROPERTY OF BBJconn Technology Co., Ltd. Corporation AND SHOULD NOT BE USED IN WHOLE OR IN PART WITHOUT PRIOR WRITTEN PERMISSION.		深圳市步步精科技有限公司 工程部	
PDWG.NO: 0102-1	DR. SGF	NAME: HY-4AWD (2.0-4P) 弯针 带扣 带定位 白色 APPD. JM_Zheng CHKD. LYX	PJ. NO.: WT.01.17-21-1002 SIZE: A4 DRW NO.: FINISH: SEE NOTES MAT'L.: SEE NOTES SCALE: N/A REV.: A0 UNIT: mm PAGE: 1/2

REV.	ECN NO.	CONTENT	DATE	ENGINEER
A0				

PE袋规格:***X*** (以实际出货为准)



1. 包装要求:
- 1.1 每PE袋包装2000 pcs;
 - 1.2 每1袋放一小纸盒;
 - 1.3 每20个小纸盒放一个纸箱, 共计40000PCS
 - 1.4 纸箱外贴上标签



THIS DOCUMENT IS THE SOLE PROPERTY OF BBJconn Technology Co.,Ltd. Corporation AND SHOULD NOT BE USED IN WHOLE OR IN PART WITHOUT PRIOR WRITTEN PERMISSION.		深圳市步步精科技有限公司	
PDWG.NO: 0102-1	DR. SGF	.X: ±0.38 .XX: ±0.25 .XXX: ±0.13	X': ±3" .X': ±2" .XX': ±1"
APPD. JM_Zheng	CHKD. LYX	NAME: HY-4AWD (2.0-4P) 弯针 带扣 带定位 白色	PJ. NO.: WT.01.17-21-1002
		FINISH: SEE NOTES	MAT'L.: SEE NOTES
		SCALE: N/A	REV.: A0
		UNIT: mm	PAGE: 2/2