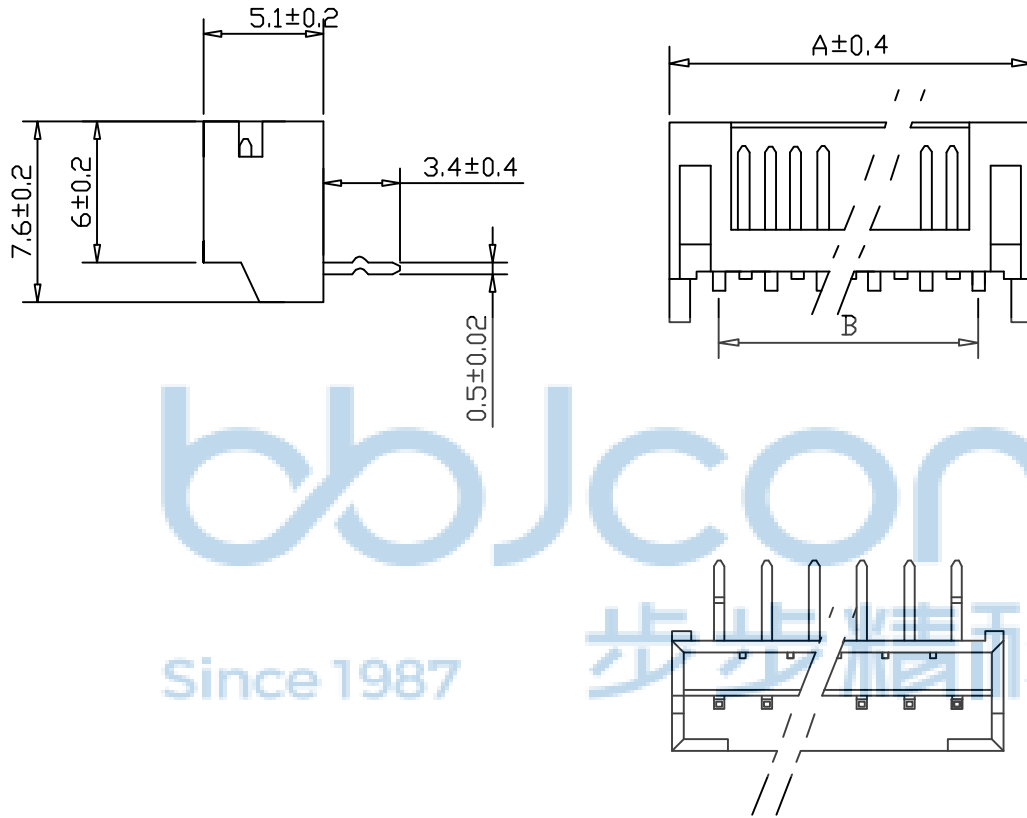


REV.	ECN NO.	CONTENT	DATE	ENGINEER
A0				



使用温度范围 (Ambient temperature Range):  $-25^{\circ} \sim +85^{\circ}$

适用线规 (Applicable Wires): AWG 28#~22#

适用基板厚度 (Applicable PCboard thickness): 0.8mm~1.6mm

额定电压 (Voltage rating): 250V AC, DC

额定电流 (Current rating): 2A

接触电阻 (Contact Resistance):  $\leq 0.01 \Omega$

绝缘电阻 (Insulation Resistance):  $\geq 1000M \Omega$

耐压 (Withstand Voltage): 800V/min

材料 (Material)

1. 基座: PA66 FV2
2. 插针: 黄铜

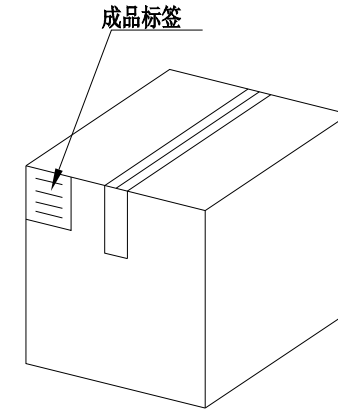
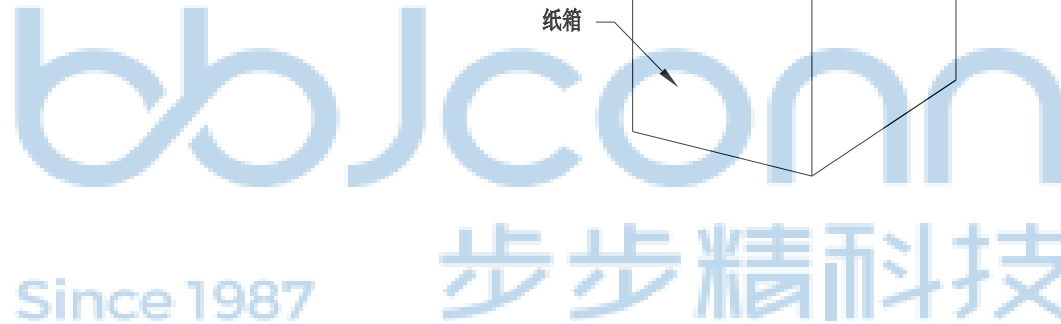
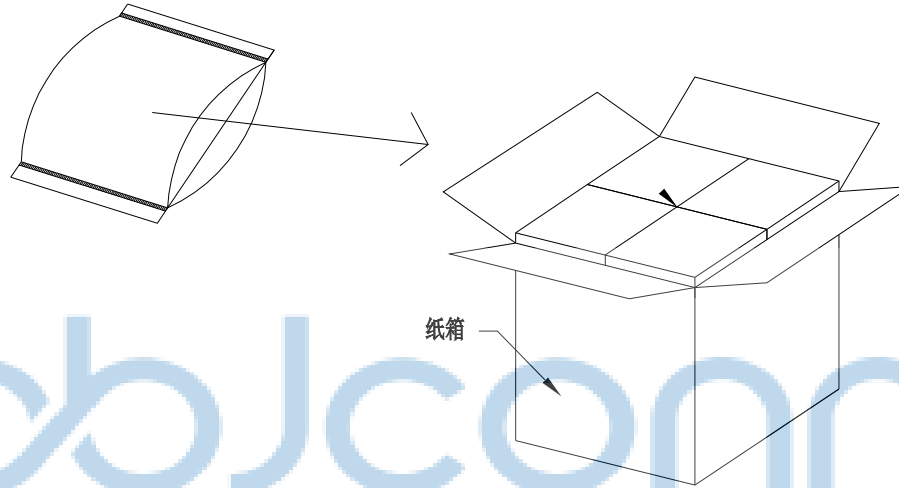
孔位	A	B
2	6.0	2.0
3	8.0	4.0
4	10.0	6.0
5	12.0	8.0
6	14.0	10.0
7	16.0	12.0
8	18.0	14.0
9	20.0	16.0
10	22.0	18.0
11	24.0	20.0
12	26.0	22.0
13	28.0	24.0
14	30.0	26.0
15	32.0	28.0



THIS DOCUMENT IS THE SOLE PROPERTY OF BBJconn Technology Co., Ltd. Corporation AND SHOULD NOT BE USED IN WHOLE OR IN PART WITHOUT PRIOR WRITTEN PERMISSION.		深圳市步步精科技有限公司 NAME: PH-5AWD (2.0-5P) 弯针 打K脚 带定位 白色 APPD. JM_Zheng CHKD. LYX DR. SGF	
.X: $\pm 0.38$ .XX: $\pm 0.25$ .XXX: $\pm 0.13$		X': $\pm 3'$ .X': $\pm 2'$ .XX': $\pm 1'$	
PDWG.NO: 0102-1		PJ. NO.: WT.01.12-21-1002 SIZE: A4 DRW NO.: FINISH: SEE NOTES MAT'L.: SEE NOTES SCALE: N/A REV.: A0 UNIT: mm PAGE: 1/2	

REV.	ECN NO	CONTENT	DATE	ENGINEER
A0				

PE袋规格:\*\*\*X\*\*\* (以实际出货为准)



1. 包装要求:

- 1.1 每PE袋包装 2000PCS;
- 1.2 每1袋放一小纸盒;
- 1.3 每20个小纸盒放一个纸箱, 共计40000PCS
- 1.4 纸箱外贴上标签



THIS DOCUMENT IS THE SOLE PROPERTY OF BBJconn Technology Co.,Ltd. Corporation AND SHOULD NOT BE USED IN WHOLE OR IN PART WITHOUT PRIOR WRITTEN PERMISSION.		深圳市步步精科技有限公司 .X: ±0.38    X': ±3' .XX: ±0.25    .X': ±2' .XXX: ±0.13    .XX': ±1'		NAME: PH-5AWD ( 2.0-5P) 弯针 打K脚 带定位 白色 PJ. NO.: WT.01.12-21-1002 SIZE: A4   DRW NO.: FINISH: SEE NOTES   MAT'L.: SEE NOTES SCALE: N/A   REV.: A0   UNIT: mm   PAGE: 2/2	
APPD.	JM_Zheng				
CHKD.	LYX				
PDWG.NO:	0102-1	DR.	SGF		