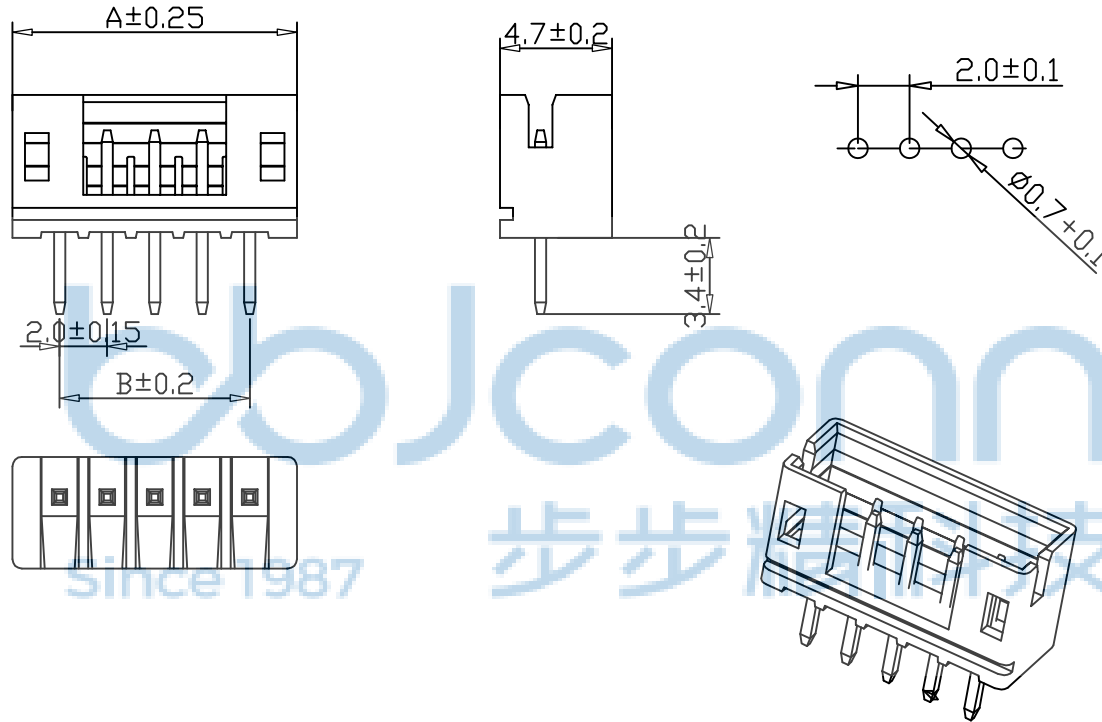


REV.	ECN NO	CONTENT	DATE	ENGINEER
A0				



使用温度范围 (Ambient temperature Range): -25° ~ +85°

适用基板厚度 (Applicable PCboard thickness): 1.6mm

额定电压 (Voltage rating): 250V AC, DC

额定电流 (Current rating): 3A

接触电阻 (Contact Resistance): < 0.02 Ω

绝缘电阻 (Insulation Resistance): > 1000M Ω

耐压 (Withstand Voltage): 1000V/min

耐温 (Temperature resistance): 230° ~ 250°

材料 (Material)

1. 基座: PA66
2. 插针: 黄铜

PH弯针	A-mm	B-mm
2P	6.0mm	2.0mm
3P	8.0mm	4.0mm
4P	10.0mm	6.0mm
5P	12.0mm	8.0mm
6P	14.0mm	10.0mm
7P	16.0mm	12.0mm
8P	18.0mm	14.0mm
9P	20.0mm	16.0mm
10P	22.0mm	18.0mm
11P	24.0mm	20.0mm
12P	26.0mm	22.0mm
13P	28.0mm	24.0mm
14P	30.0mm	26.0mm
15P	32.0mm	28.0mm
16P	34.0mm	30.0mm

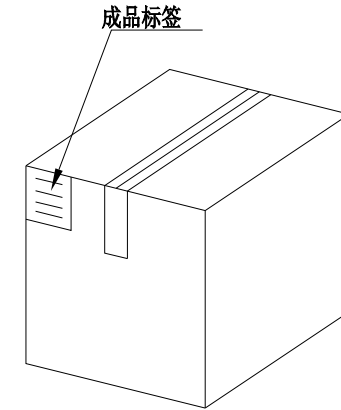
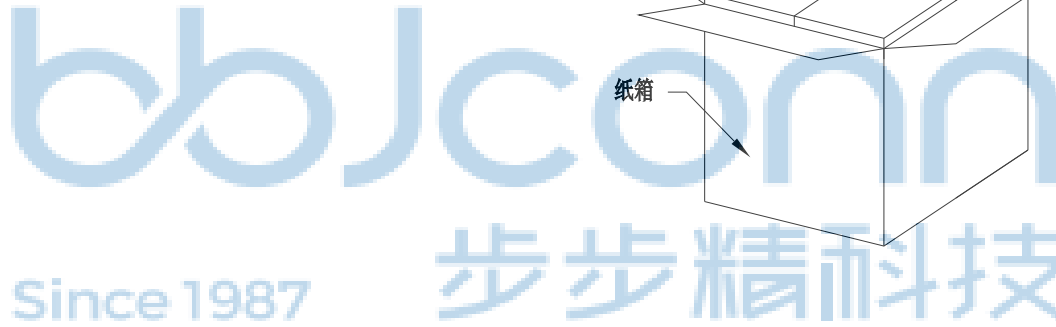
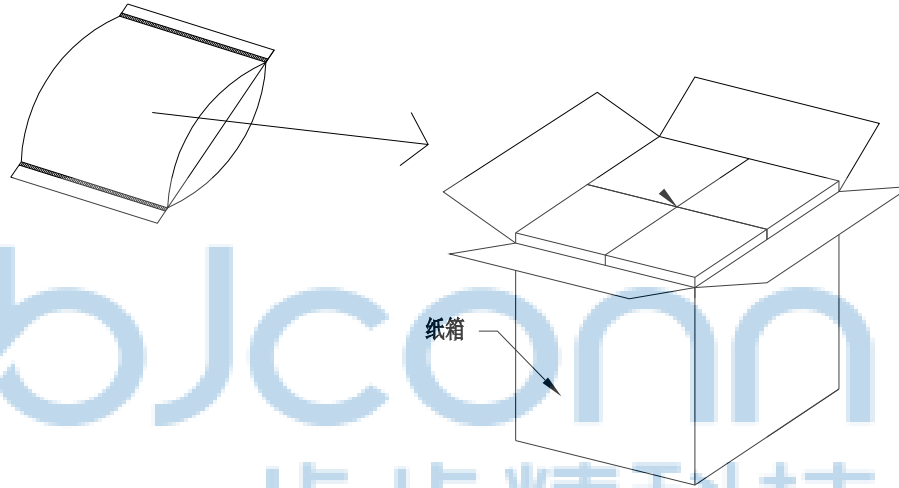
范围	>0-3	>3-18	>18-50	>50-100
公差	±0.15	±0.2	±0.3	±0.5
材料	PA66 94V- 2 ( 0 ) or ul			



THIS DOCUMENT IS THE SOLE PROPERTY OF BBJconn Technology Co.,Ltd. Corporation AND SHOULD NOT BE USED IN WHOLE OR IN PART WITHOUT PRIOR WRITTEN PERMISSION.		深圳市步步精科技有限公司 NAME: PH-2A ( 2.0-2P ) 直针 白色	
APPD.	JM_Zheng	PJ. NO.: WT.01.11-11-1001 SIZE: A4 DRW NO.:	FINISH: SEE NOTES MAT'L.: SEE NOTES SCALE: N/A REV.: A0 UNIT: mm PAGE: 1/2
CHKD.	LYX		
PDWG.NO:	0102-1	DR.	SGF

REV.	ECN NO	CONTENT	DATE	ENGINEER
A0				

PE袋规格:\*\*\*X\*\*\* (以实际出货为准)



1. 包装要求:

- 1.1 每PE袋包装 2000PCS;
- 1.2 每1袋放一小纸盒;
- 1.3 每20个小纸盒放一个纸箱, 共计40000PCS
- 1.4 纸箱外贴上标签



THIS DOCUMENT IS THE SOLE PROPERTY OF BBJconn Technology Co.,Ltd. Corporation AND SHOULD NOT BE USED IN WHOLE OR IN PART WITHOUT PRIOR WRITTEN PERMISSION.		深圳市步步精科技有限公司 .X: ±0.38    X': ±3' .XX: ±0.25    .X': ±2' .XXX: ±0.13    .XX': ±1'		NAME: PH-2A ( 2.0-2P ) 直针 白色	
APPD.	JM_Zheng	PJ. NO.: WT.01.11-11-1001 SIZE: A4 DRW NO.:		FINISH: SEE NOTES    MAT'L.: SEE NOTES	
CHKD.	LYX	SCALE: N/A		REV.: A0	UNIT: mm
PDWG.NO:	0102-1	DR.	SGF		PAGE: 2/2