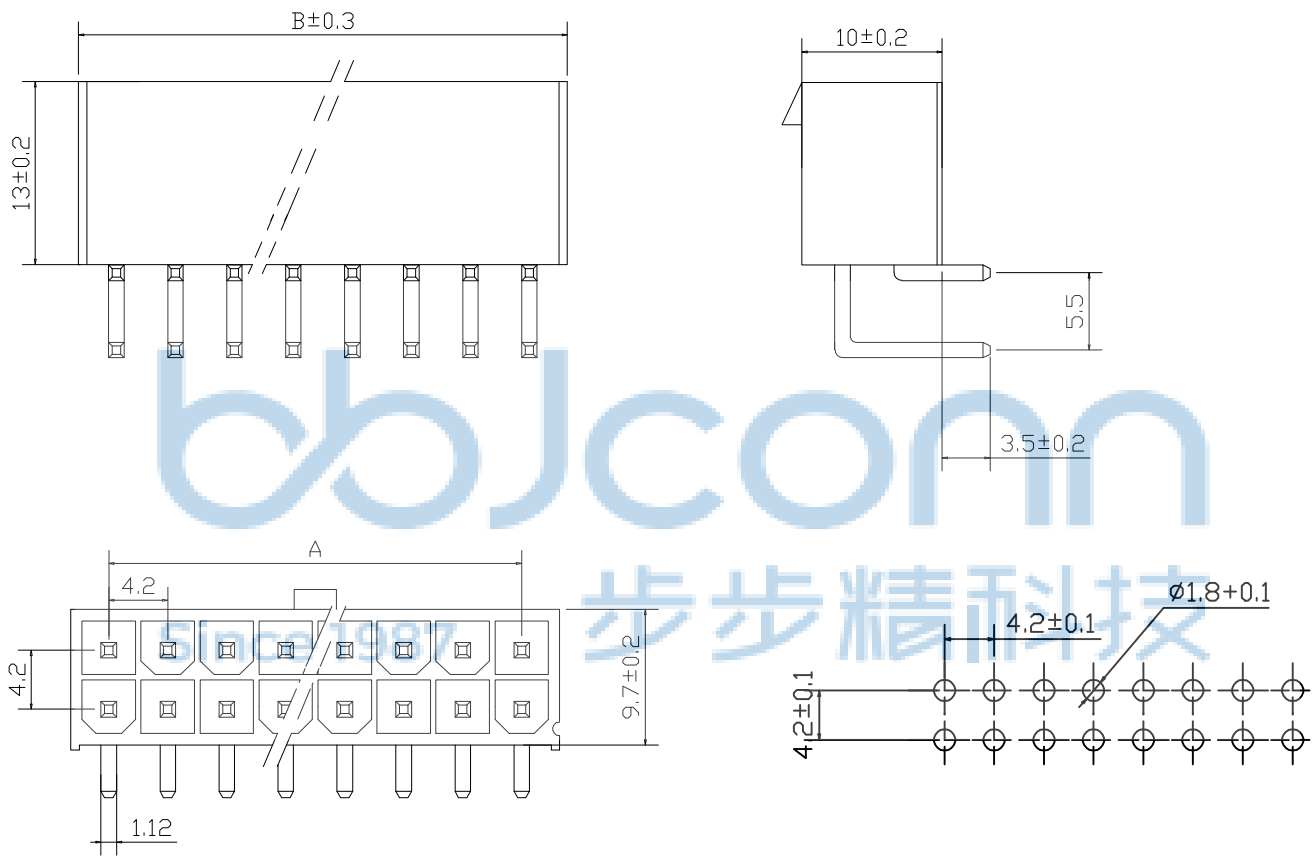


REV.	ECN NO	CONTENT	DATE	ENGINEER
A0				

使用温度范围 (Ambient temperature Range):  $-25^{\circ} \sim +85^{\circ}$   
 适用线规 (Applicable Wires): AWG 28#~20#  
 适用基板厚度 (Applicable PCboard thickness): 1.7mm  
 额定电压 (Voltage rating): 300V AC, DC  
 额定电流 (Current rating): 5A  
 接触电阻 (Contact Resistance):  $\leq 0.015 \Omega$   
 绝缘电阻 (Insulation Resistance):  $\geq 1000M \Omega$   
 耐压 (Withstand Voltage): 1000V/min

材料 (Material)  
 1. 基座: PA66 FV2  
 2. 插针: 黄铜

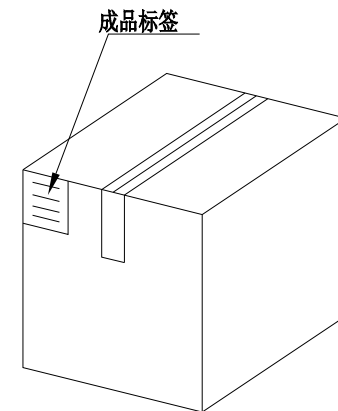
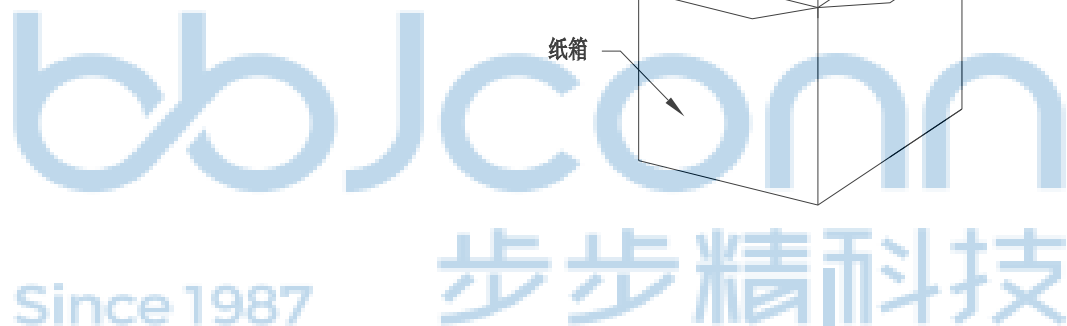
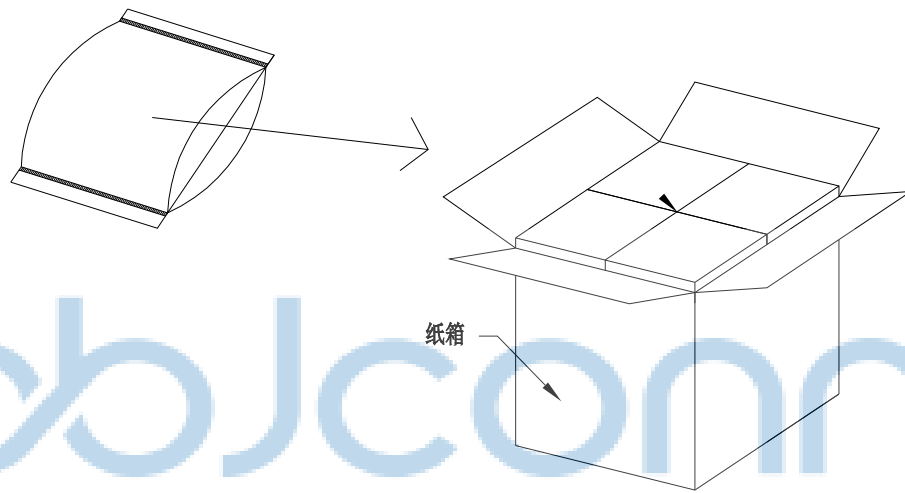
孔位	A	B
2	0	5.4
4	4.2	9.6
6	8.4	13.8
8	12.6	18.0
10	16.8	22.2
12	21.0	26.4
14	25.2	30.6
16	29.4	34.8
18	33.6	39.0
20	37.8	43.2
22	42.0	47.4
24	46.2	51.6



THIS DOCUMENT IS THE SOLE PROPERTY OF BBJconn Technology Co., Ltd. Corporation AND SHOULD NOT BE USED IN WHOLE OR IN PART WITHOUT PRIOR WRITTEN PERMISSION.		深圳市步步精科技有限公司 NAME: 5569-8AW (4.2-2x4P) 双排弯针 带扣 透明色	
APPD.	JM_Zheng	PJ. NO.: WT. 14.73-21-1001 SIZE: A4 DRW NO.:	FINISH: SEE NOTES MAT'L.: SEE NOTES SCALE: N/A REV.: A0 UNIT: mm PAGE: 1/2
CHKD.	LYX		
PDWG.NO:	0102-1	DR.	SGF

REV.	ECN NO	CONTENT	DATE	ENGINEER
A0				

PE袋规格:\*\*\*X\*\*\* (以实际出货为准)



1. 包装要求:

- 1.1 每PE袋包装 500 PCS;
- 1.2 每1袋放一小纸盒;
- 1.3 每20个小纸盒放一个纸箱, 共计10000PCS
- 1.4 纸箱外贴上标签



THIS DOCUMENT IS THE SOLE PROPERTY OF BBJconn Technology Co.,Ltd. Corporation AND SHOULD NOT BE USED IN WHOLE OR IN PART WITHOUT PRIOR WRITTEN PERMISSION.		深圳市步步精科技有限公司	
.X: ±0.38 .XX: ±0.25 .XXX: ±0.13		X': ±3' X'': ±2' XX': ±1'	
NAME:		5569-8AW (4.2-2x4P) 双排弯针 带扣 透明色	
APPD.	JM_Zheng	PJ. NO.: WT.14.73-21-1001 SIZE: A4 DRW NO.:	
CHKD.	LYX	FINISH: SEE NOTES MAT'L.: SEE NOTES	
PDWG.NO:	0102-1	DR.	SGF
SCALE: N/A		REV.: A0	UNIT: mm PAGE: 2/2