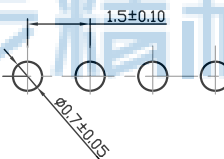
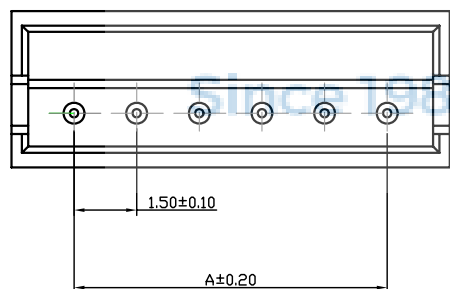
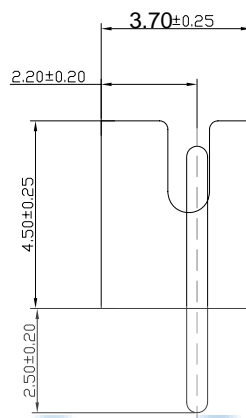
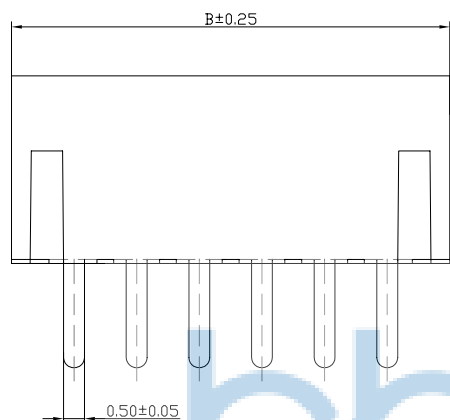


| | | | | |
|------|---------|---------|------|----------|
| REV. | ECN NO. | CONTENT | DATE | ENGINEER |
| A0 | | | | |

SPECIFICATIONS

- 1、Current Rating: 1A AC, DC
- 2、Voltage Rating: 100V AC, DC
- 3、Temperatuer Range: -25°C ~ +85°C
- 4、Contact Resistance: 20mΩ Max
- 5、Insulation Resistance: 500mΩ Min
- 6、Withstanding Voltang: 500V AC/minute
- 7、Material: Wafer Nylon66



PCB LAYOUT

PIN Brass Tin-plated

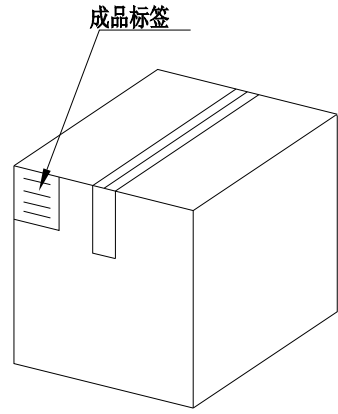
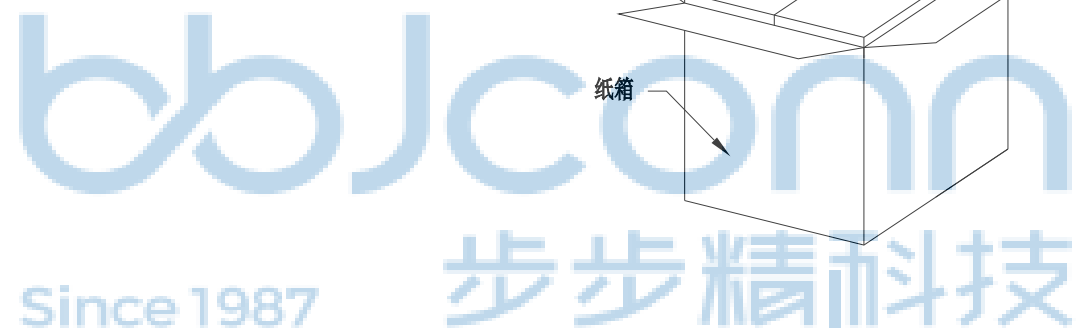
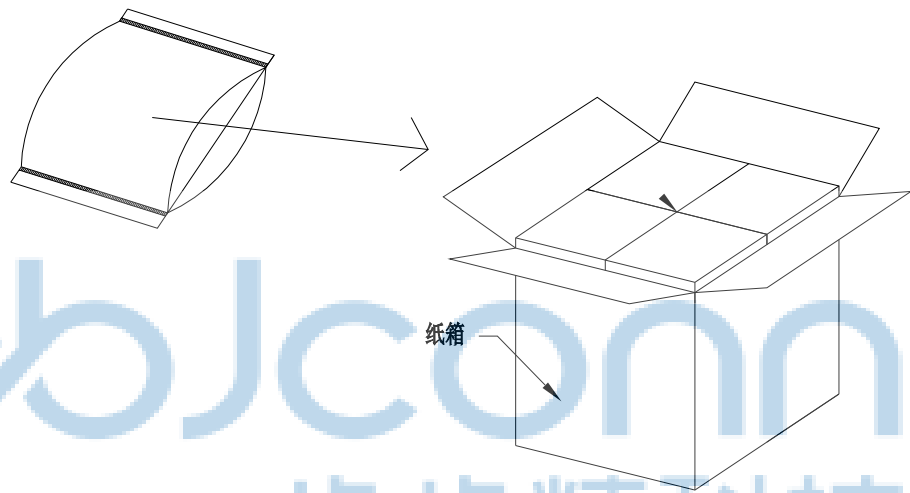
| 编号 | 尺寸 (mm) | |
|-----|---------|-------|
| | A | B |
| 02A | 1.50 | 4.50 |
| 03A | 3.00 | 6.00 |
| 04A | 4.50 | 7.50 |
| 05A | 6.00 | 9.00 |
| 06A | 7.50 | 10.50 |
| 07A | 9.00 | 12.00 |
| 08A | 10.50 | 13.50 |
| 09A | 12.00 | 15.00 |
| 10A | 13.50 | 16.50 |
| 11A | 15.00 | 18.00 |
| 12A | 16.50 | 19.50 |
| 15A | 21.00 | 24.00 |



| | | | |
|---|----------|---|-----------|
| THIS DOCUMENT IS THE SOLE PROPERTY OF BBJconn Technology Co., Ltd. Corporation AND SHOULD NOT BE USED IN WHOLE OR IN PART WITHOUT PRIOR WRITTEN PERMISSION. | | 深圳市步步精科技有限公司 NAME: ZH-4A (1.5-4P) 直针 米黄色 | |
| APPD. | JM_Zheng | PJ. NO.: WT.05.61-11-1006 | |
| CHKD. | LYX | SIZE: A4 DRW NO.: | |
| PDWG.NO: | 0102-1 | DR. | SGF |
| | | FINISH: | SEE NOTES |
| | | MAT'L.: | SEE NOTES |
| | | SCALE: | N/A |
| | | REV.: | A0 |
| | | UNIT: | mm |
| | | PAGE: | 1/2 |

| REV. | ECN NO | CONTENT | DATE | ENGINEER |
|------|--------|---------|------|----------|
| A0 | | | | |

PE袋规格:***X*** (以实际出货为准)



1. 包装要求:
- 1.1 每PE袋包装 2000 pcs;
 - 1.2 每1袋放一小纸盒;
 - 1.3 每20个小纸盒放一个纸箱, 共计40000PCS
 - 1.4 纸箱外贴上标签



| | | | | | |
|--|----------|--|-----|--|--|
| THIS DOCUMENT IS THE SOLE PROPERTY OF BBJconn Technology Co.,Ltd. Corporation AND SHOULD NOT BE USED IN WHOLE OR IN PART WITHOUT PRIOR WRITTEN PERMISSION. | | 深圳市步步精科技有限公司 .X: ±0.38 X': ±3" .XX: ±0.25 .X": ±2" .XXX: ±0.13 .XX": ±1" | | NAME: ZH-4A (1.5-4P) 直针 米黄色 | |
| APPD. | JM_Zheng | PJ. NO.: WT.05.61-11-1006 | | SIZE: A4 DRW NO.: | |
| CHKD. | LYX | FINISH: SEE NOTES MAT'L.: SEE NOTES | | SCALE: N/A REV.: A0 UNIT: mm PAGE: 2/2 | |
| PDWG.NO: | 0102-1 | DR. | SGF | | |