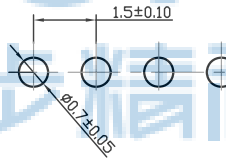
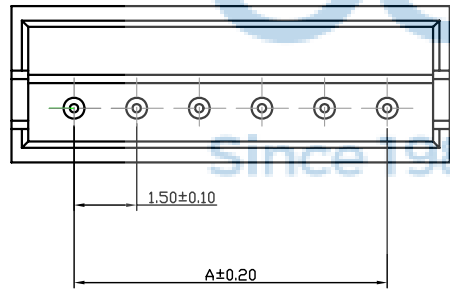
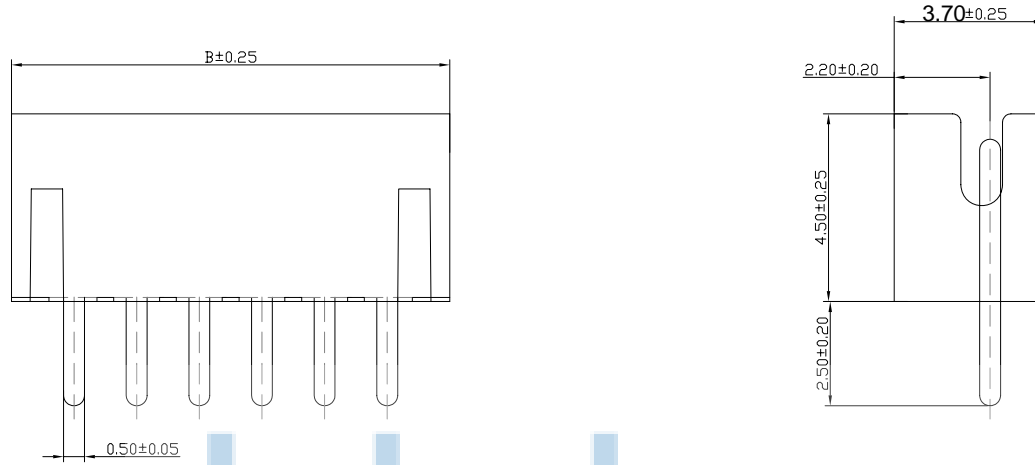


REV.	ECN NO.	CONTENT	DATE	ENGINEER
A0				

SPECIFICATIONS

- 1、Current Rating: 1A AC, DC
- 2、Voltage Rating: 100V AC, DC
- 3、Temperatuer Range: -25°C ~ +85°C
- 4、Contact Resistance: 20mΩ Max
- 5、Insulation Resistance: 500mΩ Min
- 6、Withstanding Voltang: 500V AC/minute
- 7、Material: Wafer Nylon66



PCB LAYOUT

PIN Brass Tin-plated

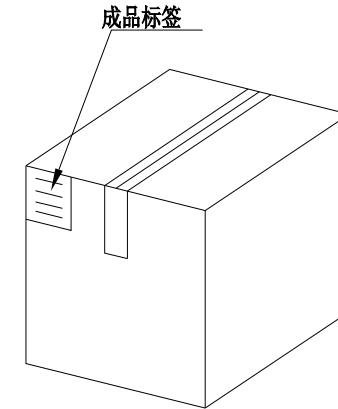
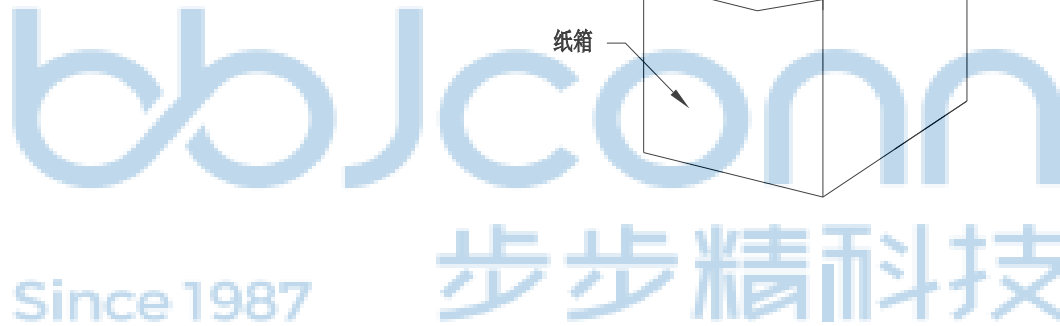
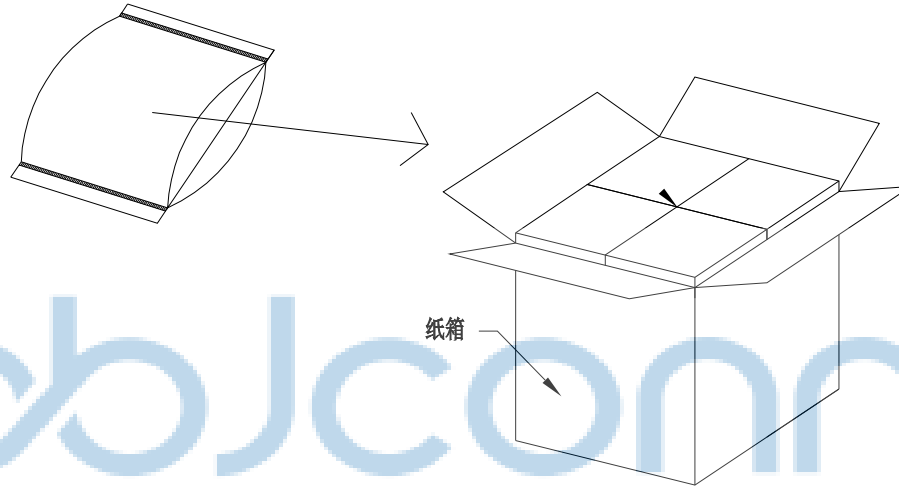
编号	尺寸 (mm)	
	A	B
02A	1.50	4.50
03A	3.00	6.00
04A	4.50	7.50
05A	6.00	9.00
06A	7.50	10.50
07A	9.00	12.00
08A	10.50	13.50
09A	12.00	15.00
10A	13.50	16.50
11A	15.00	18.00
12A	16.50	19.50
15A	21.00	24.00



THIS DOCUMENT IS THE SOLE PROPERTY OF BBJconn Technology Co.,Ltd. Corporation AND SHOULD NOT BE USED IN WHOLE OR IN PART WITHOUT PRIOR WRITTEN PERMISSION.		深圳市步步精科技有限公司 .X: ±0.38    .X': ±3" .XX: ±0.25    .X': ±2" .XXX: ±0.13    .XX': ±1"	
APPD.	JM_Zheng	NAME: ZH-3A ( 1.5-3P ) 直针 米黄色	
CHKD.	LYX	PJ. NO.: WT.05.61-11-1002	
DR.	SGF	SIZE: A4 DRW NO.:	
PDWG.NO: 0102-1		FINISH: SEE NOTES    MAT'L.: SEE NOTES	
		SCALE: N/A    REV.: A0    UNIT: mm    PAGE: 1/2	

REV.	ECN NO	CONTENT	DATE	ENGINEER
A0				

PE袋规格:\*\*\*X\*\*\* (以实际出货为准)



1. 包装要求:

- 1.1 每PE袋包装 2000 pcs;
- 1.2 每1袋放一小纸盒;
- 1.3 每20个小纸盒放一个纸箱, 共计40000PCS
- 1.4 纸箱外贴上标签



THIS DOCUMENT IS THE SOLE PROPERTY OF BBJconn Technology Co.,Ltd. Corporation AND SHOULD NOT BE USED IN WHOLE OR IN PART WITHOUT PRIOR WRITTEN PERMISSION.		深圳市步步精科技有限公司 .X: ±0.38    X': ±3' .XX: ±0.25    X'': ±2' .XXX: ±0.13    XX': ±1'		NAME: ZH-3A ( 1.5-3P ) 直针 米黄色 PJ. NO.: WT.05.61-11-1002 SIZE: A4   DRW NO.: FINISH: SEE NOTES   MAT'L.: SEE NOTES SCALE: N/A   REV.: A0   UNIT: mm   PAGE: 2/2	
APPD.	JM_Zheng	DR.		SGF	
CHKD.	LYX	PDWG.NO:		0102-1	