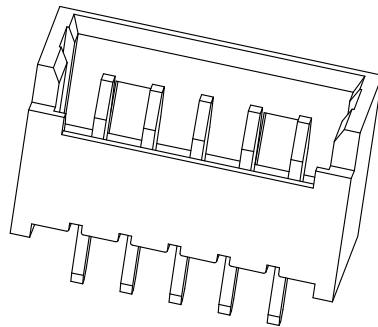
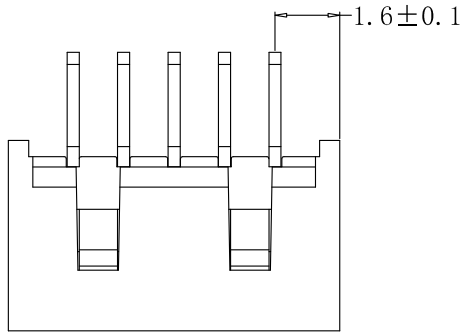
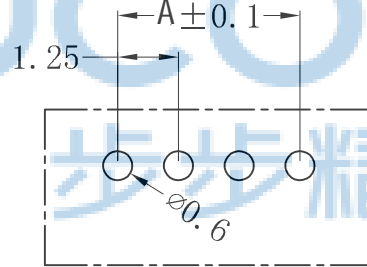
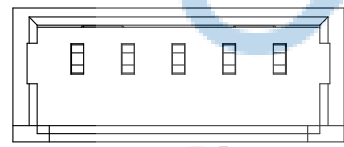
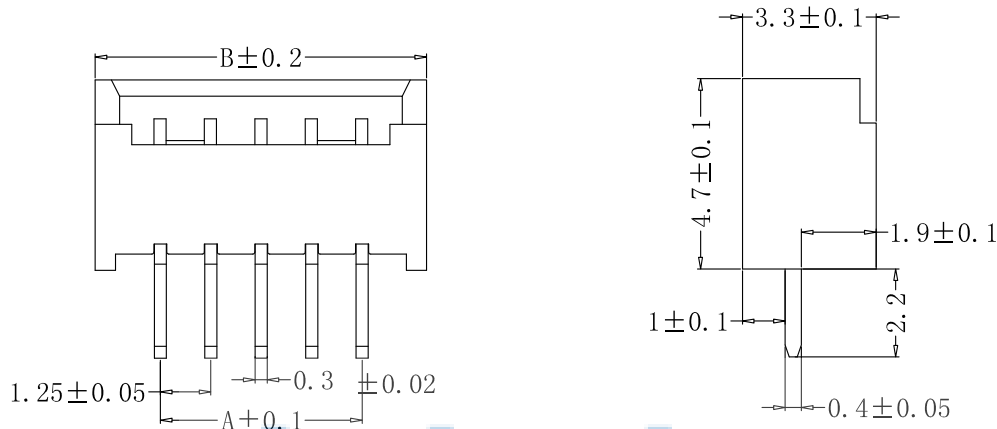


| REV. | ECN NO | CONTENT | DATE | ENGINEER |
|------|--------|---------|------|----------|
| A0 | | | | |



使用温度范围 (Ambient temperature Range): $-25^{\circ} \sim +85^{\circ}$
 适用基板厚度 (Applicable PCboard thickness): 0.8mm~1.6mm
 额定电压 (Voltage rating): 50V AC, DC
 额定电流 (Current rating): 1A
 接触电阻 (Contact Resistance): $\leq 0.01 \Omega$
 绝缘电阻 (Insulation Resistance): $\geq 500M \Omega$
 耐压 (Withstand Voltage): 500V/min
 材料 (Material)
 1. 基座: LCP 94V-0 or ul
 2. 插针: 黄铜

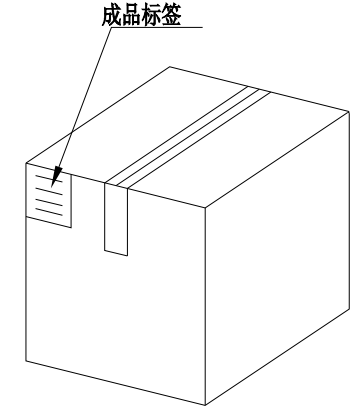
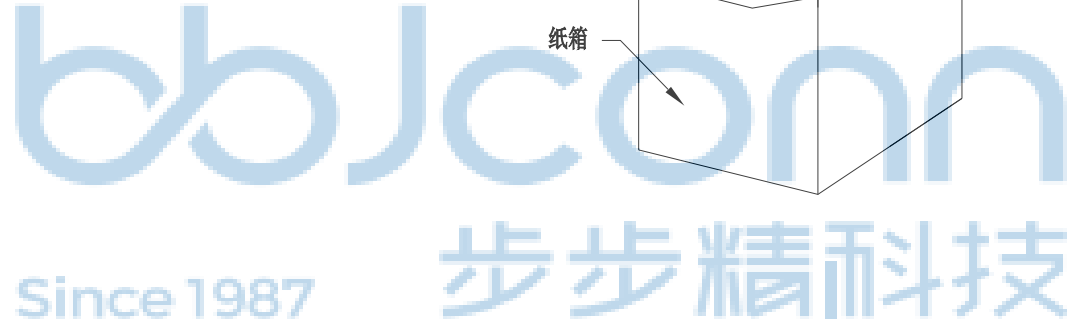
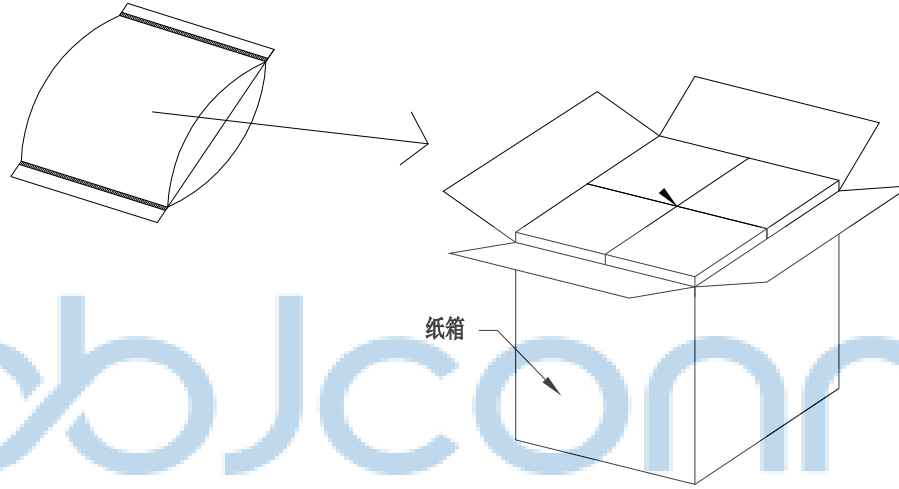
| 1.25直针 | A-mm | B-mm |
|----------|---------|---------|
| 1.25-2P | 1.25mm | 4.50mm |
| 1.25-3P | 2.50mm | 5.75mm |
| 1.25-4P | 3.75mm | 7.00mm |
| 1.25-5P | 5.00mm | 8.25mm |
| 1.25-6P | 6.25mm | 9.50mm |
| 1.25-7P | 7.50mm | 10.75mm |
| 1.25-8P | 8.75mm | 12.00mm |
| 1.25-9P | 10.00mm | 13.25mm |
| 1.25-10P | 11.25mm | 14.50mm |
| 1.25-11P | 12.50mm | 15.75mm |
| 1.25-12P | 13.75mm | 17.00mm |
| 1.25-13P | 15.00mm | 18.25mm |
| 1.25-14P | 16.25mm | 19.50mm |
| 1.25-15P | 17.50mm | 20.75mm |
| 1.25-16P | 18.75mm | 22.00mm |



| | | | |
|---|----------|--|---|
| THIS DOCUMENT IS THE SOLE PROPERTY OF BBJconn Technology Co., Ltd. Corporation AND SHOULD NOT BE USED IN WHOLE OR IN PART WITHOUT PRIOR WRITTEN PERMISSION. | | 深圳市步步精科技有限公司 NAME: 1.25-5A 闭口直针 米黄色 | |
| APPD. | JM_Zheng | PJ. NO.: WT.04.65-11-1004 SIZE: A4 DRW NO.: | FINISH: SEE NOTES MAT'L.: SEE NOTES SCALE: N/A REV.: A0 UNIT: mm PAGE: 1/2 |
| CHKD. | LYX | | |
| PDWG.NO: | 0102-1 | DR. | SGF |

| REV. | ECN NO | CONTENT | DATE | ENGINEER |
|------|--------|---------|------|----------|
| A0 | | | | |

PE袋规格:***X*** (以实际出货为准)



1. 包装要求:
- 1.1 每PE袋包装2000PCS;
 - 1.2 每1袋放一小纸盒;
 - 1.3 每20个小纸盒放一个纸箱, 共计40000PCS
 - 1.4 纸箱外贴上标签



| | | | |
|---|----------|--|-----------------------------|
| THIS DOCUMENT IS THE SOLE PROPERTY OF BBJconn Technology Co., Ltd. Corporation AND SHOULD NOT BE USED IN WHOLE OR IN PART WITHOUT PRIOR WRITTEN PERMISSION. | | 深圳市步步精科技有限公司 .X: ±0.38 X': ±3" .XX: ±0.25 .X": ±2" .XXX: ±0.13 .XX": ±1" | |
| APPD. | JM_Zheng | NAME: | 1.25-5A 闭口直针 米黄色 |
| CHKD. | LYX | PJ. NO.: WT.04.65-11-1004 SIZE: A4 DRW NO.: | |
| PDWG.NO: | 0102-1 | DR. | SGF |
| | | FINISH: SEE NOTES | MAT'L.: SEE NOTES |
| | | SCALE: N/A | REV.: A0 UNIT: mm PAGE: 2/2 |