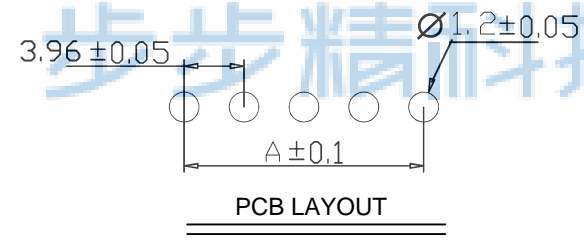
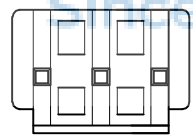
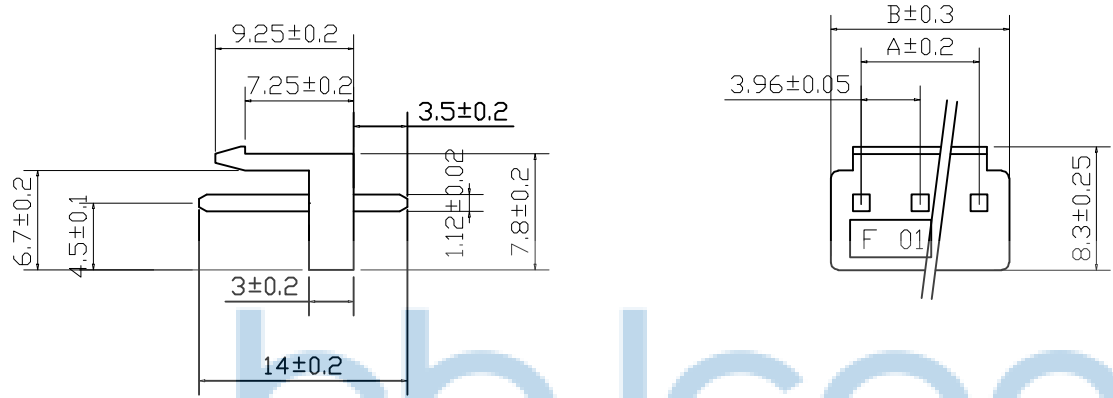


REV.	ECN NO	CONTENT	DATE	ENGINEER
A0				

使用温度范围 (Ambient temperature Range): $-25^{\circ} \sim +85^{\circ}$
 适用线规 (Applicable Wires): AWG 22#~18#
 适用基板厚度 (Applicable PCboard thickness): 1.6mm
 额定电压 (Voltage rating): 250V AC, DC
 额定电流 (Current rating): 5A
 接触电阻 (Contact Resistance): $\leq 0.01 \Omega$
 绝缘电阻 (Insulation Resistance): $\geq 1000M \Omega$
 耐压 (Withstand Voltage): 1000V/min
 材料 (Material)
 1. 基座: PA66 FV2
 2. 插针: 黄铜



	A	B
2	3.96	7.96
3	7.92	11.92
4	11.88	15.88
5	15.84	19.84
6	19.80	23.80
7	23.76	27.76
8	27.72	31.72
9	31.68	35.68
10	35.64	39.64
11	39.6	43.60
12	43.56	47.56
13	47.52	51.52
14	51.48	55.48
15	55.44	59.44

范围	>0-3	>3-18	>18-50	>50-100
公差	±0.15	±0.2	±0.3	±0.5



THIS DOCUMENT IS THE SOLE PROPERTY OF BBJconn Technology Co., Ltd. Corporation AND SHOULD NOT BE USED IN WHOLE OR IN PART WITHOUT PRIOR WRITTEN PERMISSION.

PDWG.NO: 0102-1

DR. SGF

APPD. JM_Zheng

CHKD. LYX

NAME: 深圳市步步精科技有限公司
VH-7A4 (3.96-7P) 空针2.4.6P 直针 白色

PJ. NO.: WT.03.11-11-1011

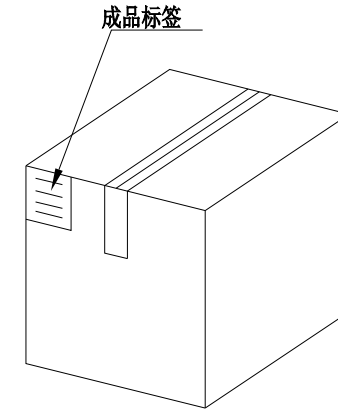
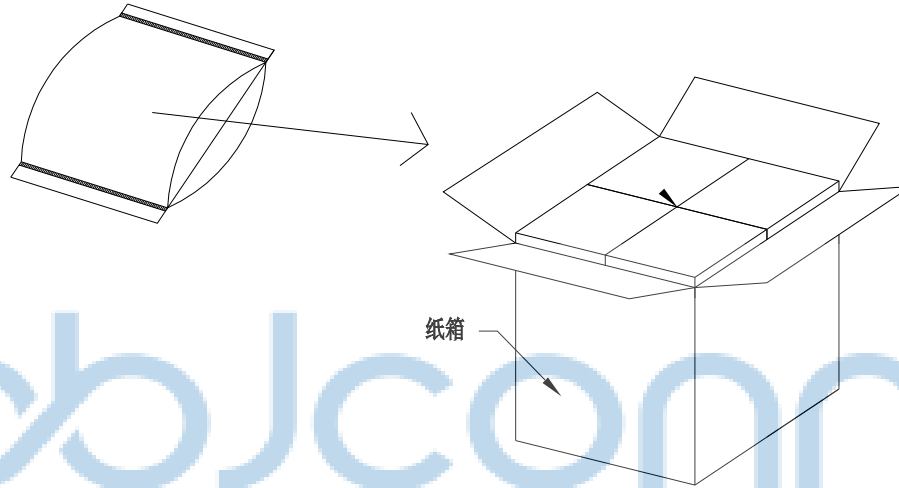
SIZE: A4 DRW NO.:

FINISH: SEE NOTES MAT'L.: SEE NOTES

SCALE: N/A REV.: A0 UNIT: mm PAGE: 1/2

REV.	ECN NO	CONTENT	DATE	ENGINEER
A0				

PE袋规格:***X*** (以实际出货为准)



1. 包装要求:

- 1.1 每PE袋包装 500 pcs;
- 1.2 每1袋放一小纸盒;
- 1.3 每20个小纸盒放一个纸箱, 共计10000PCS
- 1.4 纸箱外贴上标签



THIS DOCUMENT IS THE SOLE PROPERTY OF BBJconn Technology Co.,Ltd. Corporation AND SHOULD NOT BE USED IN WHOLE OR IN PART WITHOUT PRIOR WRITTEN PERMISSION.		深圳市步步精科技有限公司 .X: ±0.38 X': ±3' NAME: VH-7A4 (3.96-7P) 空针2.4.6P 直针 白色 .XX: ±0.25 X'': ±2' .XXX: ±0.13 XX': ±1'	
APPD.	JM_Zheng	PJ. NO.: WT.03.11-11-1011 SIZE: A4 DRW NO.:	
CHKD.	LYX	FINISH: SEE NOTES MAT'L.: SEE NOTES	
PDWG.NO:	0102-1	DR.	SGF
		SCALE: N/A	REV.: A0 UNIT: mm PAGE: 2/2