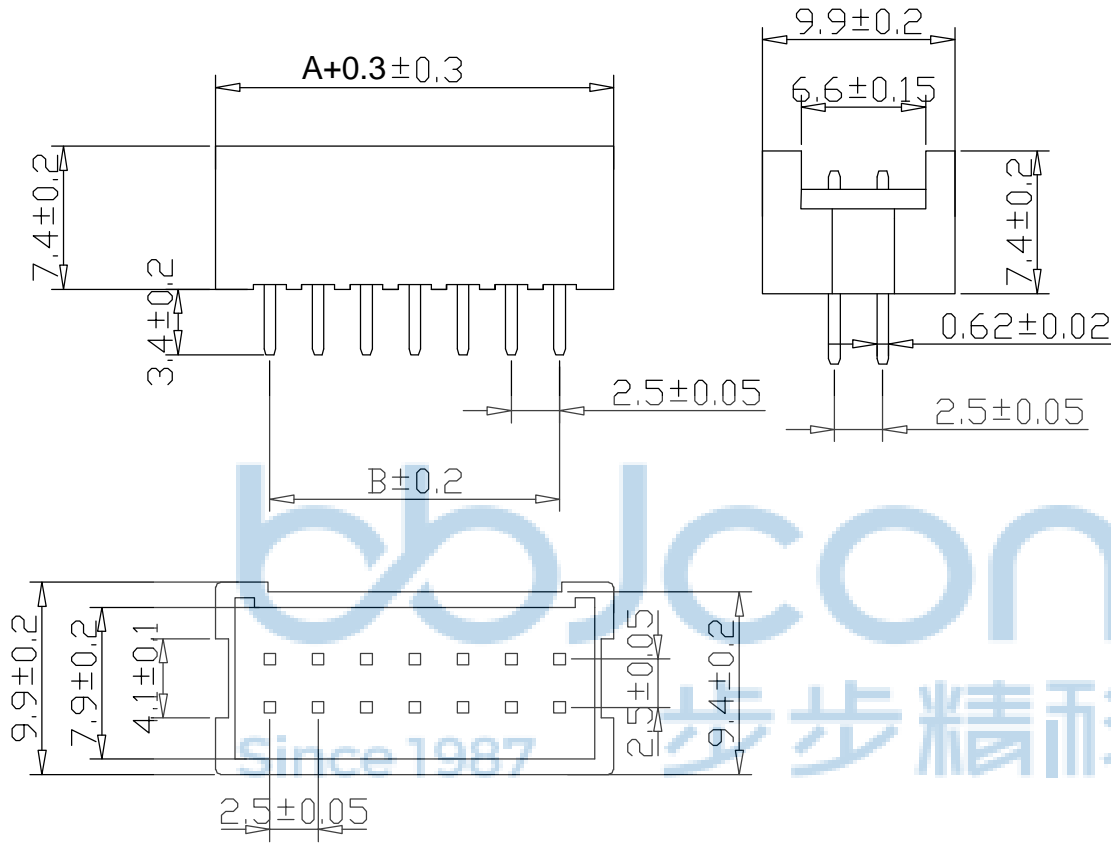


| REV. | ECN NO | CONTENT | DATE | ENGINEER |
|------|--------|---------|------|----------|
| A0 | | | | |



使用温度范围 (Ambient temperature Range): $-25^{\circ} \sim +85^{\circ}$
 适用线规 (Applicable Wires): AWG 28#~22#
 适用基板厚度 (Applicable PCboard thickness): 1.6mm
 额定电压 (Voltage rating): 250V AC, DC
 额定电流 (Current rating): 3A
 接触电阻 (Contact Resistance): $\leq 0.02 \Omega$
 绝缘电阻 (Insulation Resistance): $\geq 1000M \Omega$
 耐压 (Withstand Voltage): 1000V/min

材料 (Material)
 1. 基座: PA66 FV2
 2. 插针: 黄铜

| 孔位 | A | B |
|----|------|------|
| 2 | 8.1 | 2.5 |
| 3 | 10.6 | 5.0 |
| 4 | 13.1 | 7.5 |
| 5 | 15.6 | 10.0 |
| 6 | 18.1 | 12.5 |
| 7 | 20.6 | 15.0 |
| 8 | 23.1 | 17.5 |
| 9 | 25.6 | 20.0 |
| 10 | 28.1 | 22.5 |
| 11 | 30.6 | 25.0 |
| 12 | 33.1 | 27.5 |
| 13 | 35.6 | 30.0 |
| 14 | 38.1 | 32.5 |
| 15 | 40.6 | 35.0 |
| 16 | 43.1 | 37.5 |
| 17 | 45.6 | 40.0 |
| 18 | 48.1 | 42.5 |
| 19 | 50.6 | 45.0 |
| 20 | 53.1 | 47.5 |

| 范围 | >0-3 | >3-18 | >18-50 | >50-100 |
|----|------------|-----------|-----------|-----------|
| 公差 | ± 0.15 | ± 0.2 | ± 0.3 | ± 0.5 |



THIS DOCUMENT IS THE SOLE PROPERTY OF BBJconn Technology Co., Ltd. Corporation AND SHOULD NOT BE USED IN WHOLE OR IN PART WITHOUT PRIOR WRITTEN PERMISSION.

PDWG.NO: 0102-1

APPD. JM_Zheng
 CHKD. LYX
 DR. SGF

深圳市步步精科技有限公司

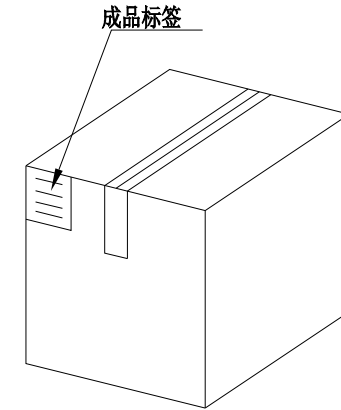
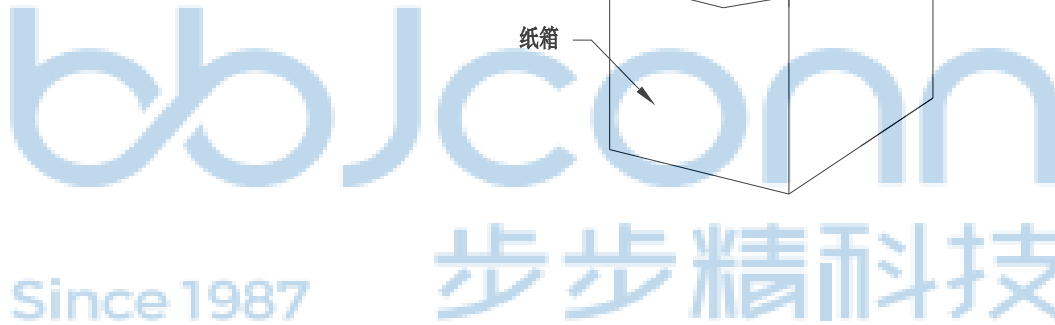
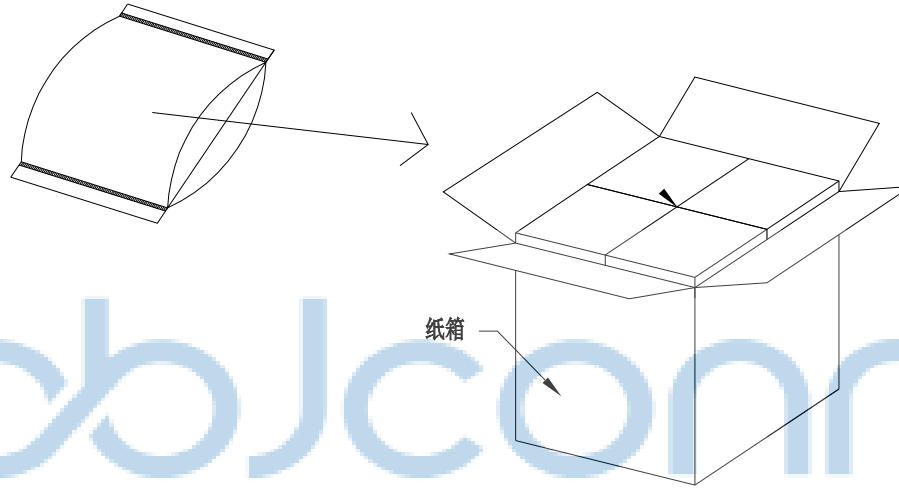
NAME: XHD-2x3A (2.54-2x3P) 双排直针 带扣 白色

PJ. NO.: WT.02.13-11-1014
 SIZE: A4 DRW NO.:

FINISH: SEE NOTES MAT'L.: SEE NOTES
 SCALE: N/A REV.: A0 UNIT: mm PAGE: 1/2

| REV. | ECN NO | CONTENT | DATE | ENGINEER |
|------|--------|---------|------|----------|
| A0 | | | | |

PE袋规格:***X*** (以实际出货为准)



1. 包装要求:

- 1.1 每PE袋包装 1000 pcs;
- 1.2 每1袋放一小纸盒;
- 1.3 每20个小纸盒放一个纸箱, 共计20000PCS
- 1.4 纸箱外贴上标签



| | | | |
|--|--|--|--|
| THIS DOCUMENT IS THE SOLE PROPERTY OF BBJconn Technology Co.,Ltd. Corporation AND SHOULD NOT BE USED IN WHOLE OR IN PART WITHOUT PRIOR WRITTEN PERMISSION. | | 深圳市步步精科技有限公司 | |
| PDWG.NO: 0102-1 | | APPD. JM_Zheng CHKD. LYX DR. SGF | NAME: XHD-2x3A (2.54-2x3P) 双排直针 带扣 白色 PJ. NO.: WT.02.13-11-1014 SIZE: A4 DRW NO.: FINISH: SEE NOTES MAT'L.: SEE NOTES SCALE: N/A REV.: A0 UNIT: mm PAGE: 2/2 |