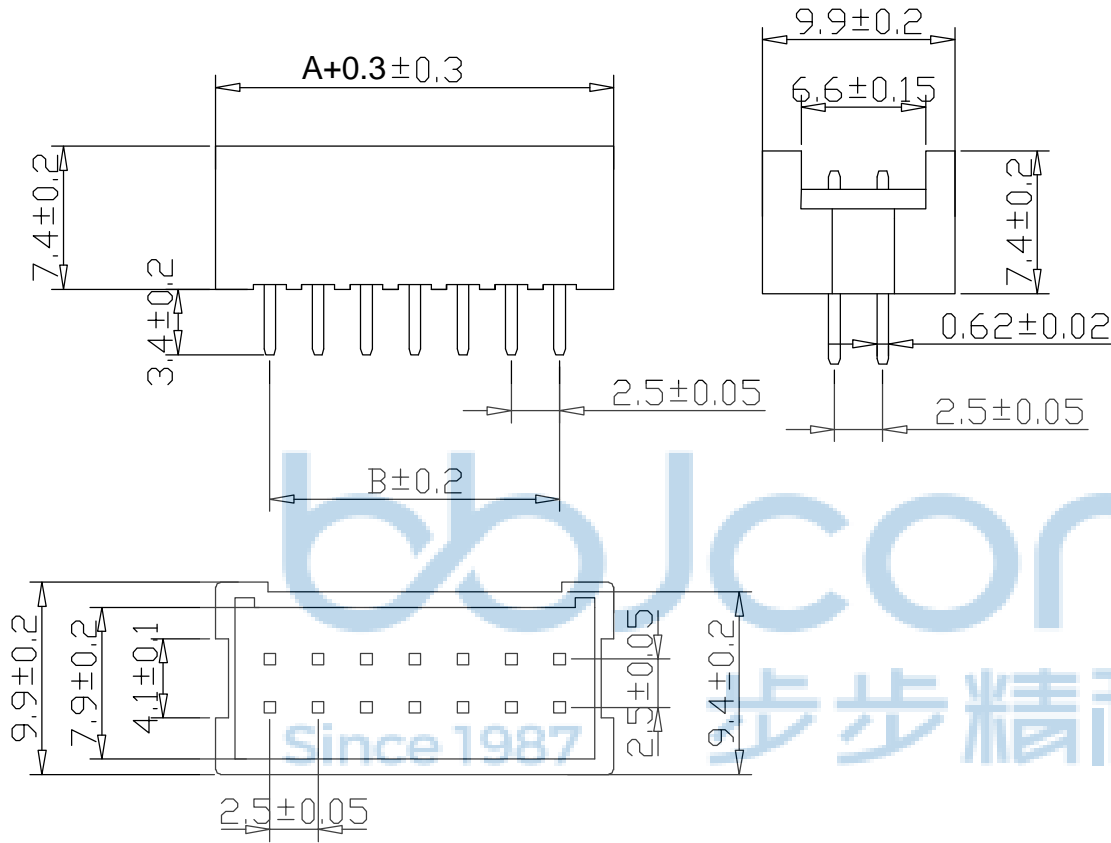


REV.	ECN NO.	CONTENT	DATE	ENGINEER
A0				



使用温度范围 (Ambient temperature Range): $-25^{\circ} \sim +85^{\circ}$
 适用线规 (Applicable Wires): AWG 28#~22#
 适用基板厚度 (Applicable PCboard thickness): 1.6mm
 额定电压 (Voltage rating): 250V AC, DC
 额定电流 (Current rating): 3A
 接触电阻 (Contact Resistance): $\leq 0.02 \Omega$
 绝缘电阻 (Insulation Resistance): $\geq 1000M \Omega$
 耐压 (Withstand Voltage): 1000V/min

材料 (Material)
 1. 基座: PA66 FV2
 2. 插针: 黄铜

孔位	A	B
2	8.1	2.5
3	10.6	5.0
4	13.1	7.5
5	15.6	10.0
6	18.1	12.5
7	20.6	15.0
8	23.1	17.5
9	25.6	20.0
10	28.1	22.5
11	30.6	25.0
12	33.1	27.5
13	35.6	30.0
14	38.1	32.5
15	40.6	35.0
16	43.1	37.5
17	45.6	40.0
18	48.1	42.5
19	50.6	45.0
20	53.1	47.5

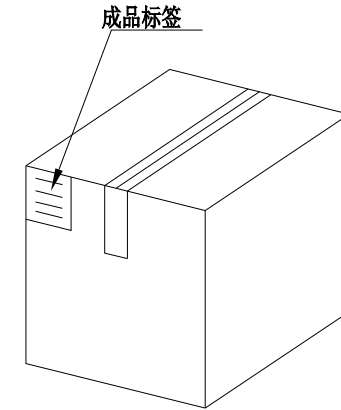
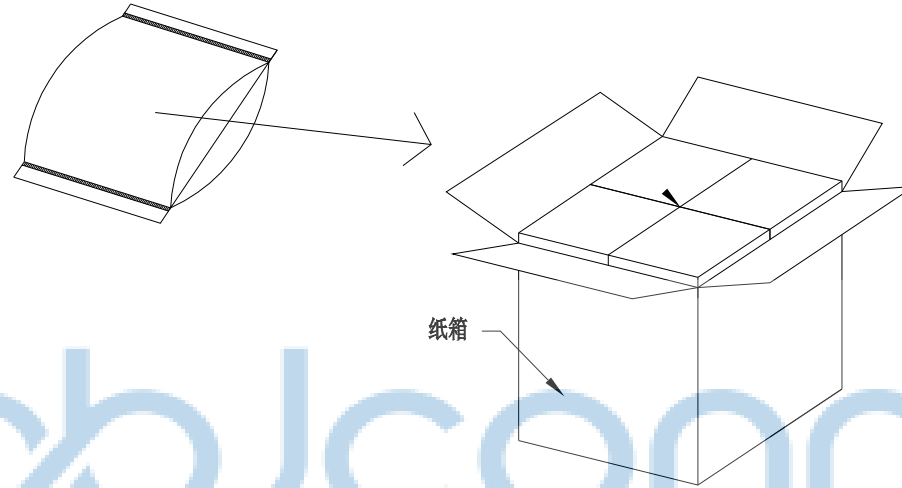
范围	>0-3	>3-18	>18-50	>50-100
公差	± 0.15	± 0.2	± 0.3	± 0.5



THIS DOCUMENT IS THE SOLE PROPERTY OF BBJconn Technology Co., Ltd. Corporation AND SHOULD NOT BE USED IN WHOLE OR IN PART WITHOUT PRIOR WRITTEN PERMISSION.		深圳市步步精科技有限公司	
NAME:	XHD-2X15A (2.54-2x15P) 双排直针带扣 白色		
APPD.	JM_Zheng	PJ. NO.: WT.02.13-11-1013	
CHKD.	LYX	SIZE: A4 DRW NO.:	
PDWG.NO:	0102-1	DR.	SGF
FINISH: SEE NOTES		MAT'L.: SEE NOTES	
SCALE: N/A	REV.: A0	UNIT: mm	PAGE: 1/2

REV.	ECN NO.	CONTENT	DATE	ENGINEER
A0				

PE袋规格:***X*** (以实际出货为准)



1. 包装要求: Since 1987

- 1.1 每PE袋包装 200 pcs;
- 1.2 每1袋放一小纸盒;
- 1.3 每20个小纸盒放一个纸箱, 共计4000PCS
- 1.4 纸箱外贴上标签



THIS DOCUMENT IS THE SOLE PROPERTY OF BBJconn Technology Co., Ltd. Corporation AND SHOULD NOT BE USED IN WHOLE OR IN PART WITHOUT PRIOR WRITTEN PERMISSION.		深圳市步步精科技有限公司 .X: ±0.38 .X': ±3" .XX: ±0.25 .X": ±2" .XXX: ±0.13 .XX": ±1"	
APPD.	JM_Zheng	NAME: XHD-2X15A (2.54-2x15P) 双排直针带扣 白色	
CHKD.	LYX	PJ. NO.: WT.02.13-11-1013	
PDWG.NO:	0102-1	SIZE: A4 DRW NO.:	
DR.	SGF	FINISH: SEE NOTES MAT'L.: SEE NOTES	
		SCALE: N/A REV.: A0 UNIT: mm PAGE: 2/2	