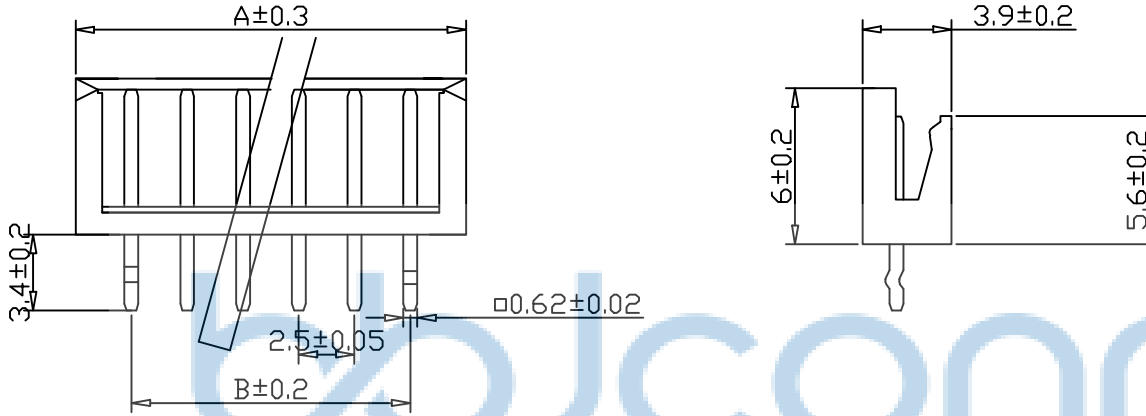


REV.	ECN NO	CONTENT	DATE	ENGINEER
A0				



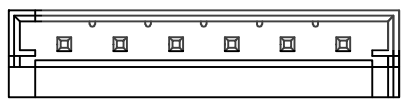
使用温度范围 (Ambient temperature Range):  $-25^{\circ} \sim +85^{\circ}$   
 适用线规 (Applicable Wires): AWG 28#~22#  
 适用基板厚度 (Applicable PCboard thickness): 1.6mm  
 额定电压 (Voltage rating): 250V AC, DC  
 额定电流 (Current rating): 3A  
 接触电阻 (Contact Resistance):  $\leq 0.02 \Omega$   
 绝缘电阻 (Insulation Resistance):  $\geq 1000M \Omega$   
 耐压 (Withstand Voltage): 1000V/min

材料 (Material)  
 1. 基座: PA66 FV2  
 2. 插针: 黄铜

孔位	A	B
2	7.5	2.5
3	10	5.0
4	12.5	7.5
5	15.0	10.0
6	17.5	12.5
7	20.0	15.0
8	22.5	17.5
9	25.0	20.0
10	27.5	22.5
11	30.0	25.0
12	32.5	27.5
13	35.0	30.0
14	37.5	32.5
15	40.0	35.0

Since 1987

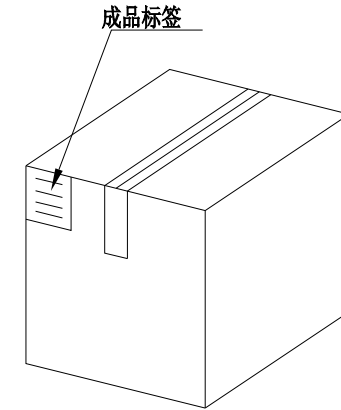
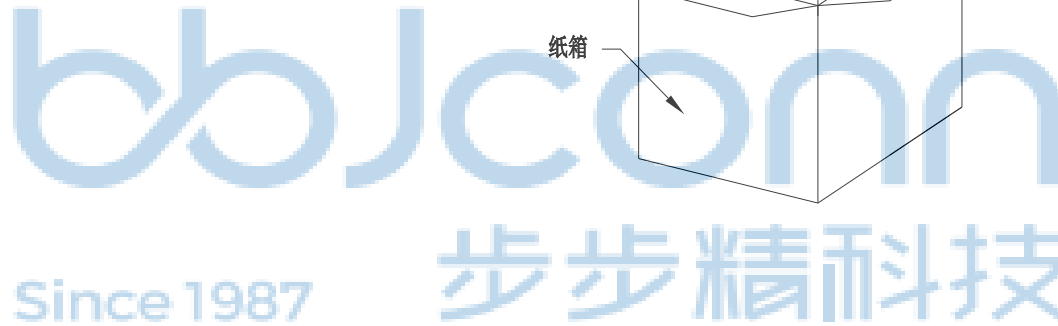
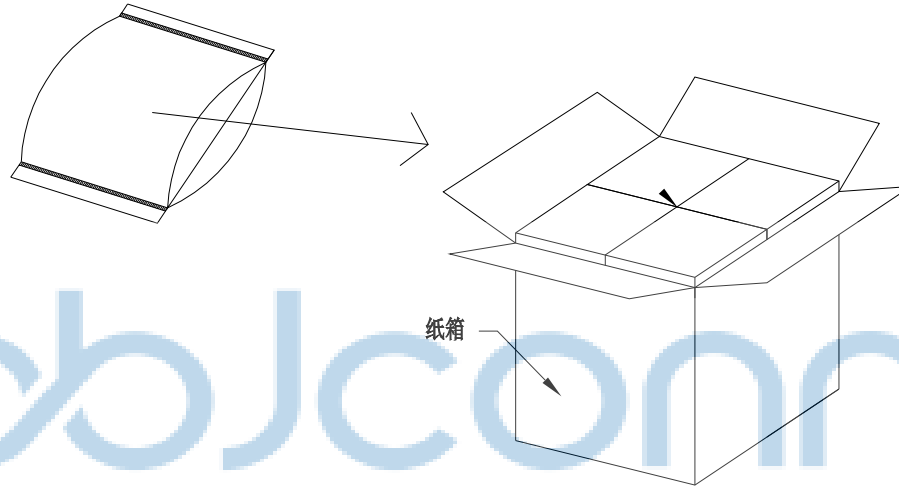
步步精科技



THIS DOCUMENT IS THE SOLE PROPERTY OF BBJconn Technology Co., Ltd. Corporation AND SHOULD NOT BE USED IN WHOLE OR IN PART WITHOUT PRIOR WRITTEN PERMISSION.		深圳市步步精科技有限公司 NAME: EH-4A (2.54-4P) 直针 打脚 白色 PJ. NO.: WT.02.11-31-1002 SIZE: A4 DRW NO.: FINISH: SEE NOTES MAT'L.: SEE NOTES SCALE: N/A REV.: A0 UNIT: mm PAGE: 1/2	
PDWG.NO: 0102-1	DR. SGF	APPD. JM_Zheng	CHKD. LYX

REV.	ECN NO	CONTENT	DATE	ENGINEER
A0				

PE袋规格:\*\*\*X\*\*\* (以实际出货为准)



1. 包装要求:

- 1.1 每PE袋包装 2000 pcs;
- 1.2 每1袋放一小纸盒;
- 1.3 每20个小纸盒放一个纸箱, 共计40000PCS
- 1.4 纸箱外贴上标签



THIS DOCUMENT IS THE SOLE PROPERTY OF BBJconn Technology Co.,Ltd. Corporation AND SHOULD NOT BE USED IN WHOLE OR IN PART WITHOUT PRIOR WRITTEN PERMISSION.		深圳市步步精科技有限公司 .X: ±0.38    X': ±3" .XX: ±0.25    .X": ±2" .XXX: ±0.13    .XX': ±1"		NAME: EH-4A (2.54-4P) 直针 打K脚 白色 PJ. NO.: WT.02.11-31-1002 SIZE: A4   DRW NO.: FINISH: SEE NOTES   MAT'L.: SEE NOTES SCALE: N/A   REV.: A0   UNIT: mm   PAGE: 2/2	
APPD.	JM_Zheng				
CHKD.	LYX				
PDWG.NO:	0102-1	DR.	SGF		