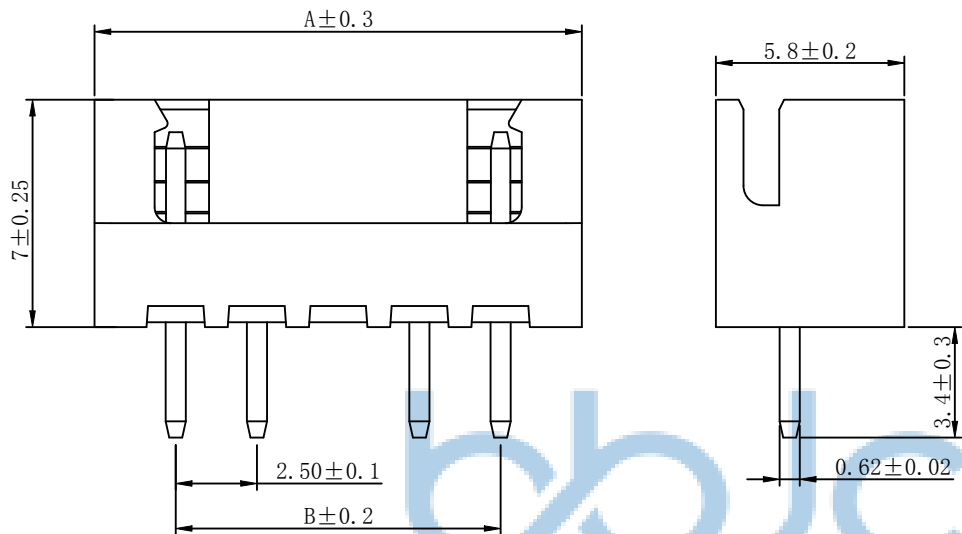
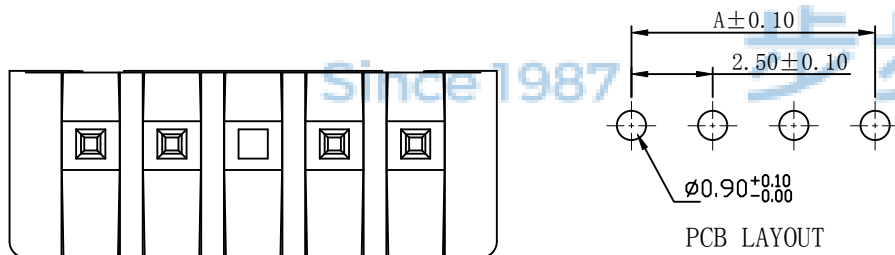


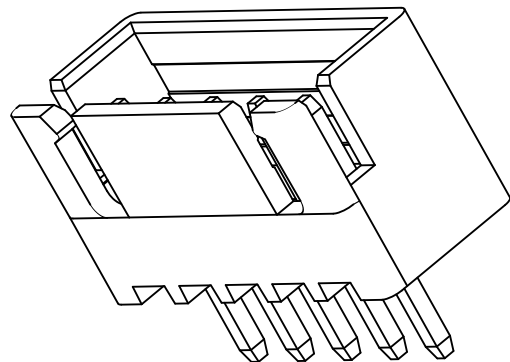
REV.	ECN NO	CONTENT	DATE	ENGINEER
AO				



使用温度范围 (Ambient temperature Range): -25° ~ +85°
 适用基板厚度 Applicable PCboard thickness): 1.6mm
 额定电压 (Voltage rating): 250V AC, DC
 额定电流 (Current rating): 3A
 接触电阻 Contact Resistance): 0.02
 绝缘电阻 (Insulation Resistance): 1000M
 耐压 (Withstand Voltage): 1000V/min
 材料 (Material)
 1. 基座: PA66 FV2
 2. 插针: 黄铜



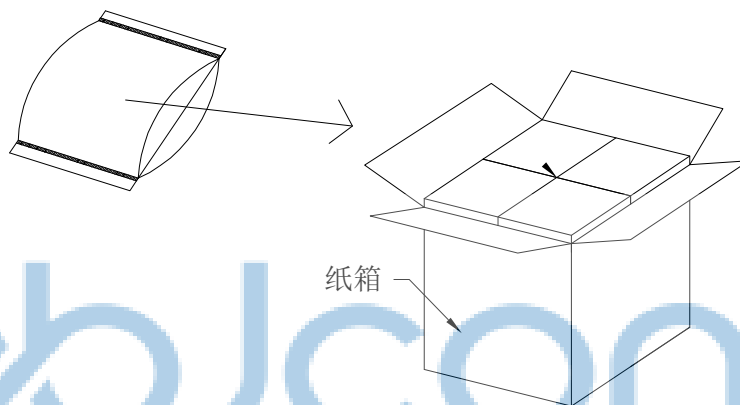
孔位	A	B
2	7.5	2.5
3	10	5.0
4	12.5	7.5
5	15.0	10.0
6	17.5	12.5
7	20.0	15.0
8	22.5	17.5
9	25.0	20.0
10	27.5	22.5
11	30.0	25.0
12	32.5	27.5
13	35.0	30.0
14	37.5	32.5
15	40.0	35.0
16	42.5	37.5



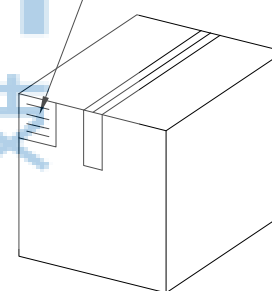
THIS DOCUMENT IS THE SOLE PROPERTY OF BBJconn Technology Co., Ltd. Corporation AND SHOULD NOT BE USED IN WHOLE OR IN PART WITHOUT PRIOR WRITTEN PERMISSION.		深圳市步步精科技有限公司 工程 部 APPROVED	
PDWG.NO: 0102-1	DR. TSP	NAME: 针座 XH-3A2(2.54-3P) 中间空1P 直针 白色	
APPD. JM_Zheng	CHKD. LYX	PJ. NO.: WT.02.11-11-1020	
		SIZE: A4 DRW NO.:	
		FINISH: SEE NOTES	MAT'L.: SEE NOTES
		SCALE: N/A	REV.: AO UNIT: mm PAGE: 1/2

REV.	ECN NO	CONTENT	DATE	ENGINEER
AO				

PE袋规格: 260*185



成品标签



1. 包装要求:

- 1.1 每个PE袋包装2000pcs;
- 1.2 每1袋放一小纸盒;
- 1.3 每20个小纸盒放一个纸箱, 共计40000pcs;
- 1.4 纸箱外贴上标签

THIS DOCUMENT IS THE SOLE PROPERTY OF BBJconn Technology Co.,Ltd. Corporation AND SHOULD NOT BE USED IN WHOLE OR IN PART WITHOUT PRIOR WRITTEN PERMISSION.		深圳市步步精科技有限公司 .X: ±0.38 .XX: ±0.25 .XXX: ±0.13 X': ±3" X'': ±2" XX': ±1"		NAME: 针座 XH-3A2(2.54-3P) 中间空1P 直针 白色	
APPD.	JM_Zheng	PJ. NO.: WT.02.11-11-1020 SIZE: A4 DRW NO.:		FINISH: SEE NOTES MAT'L.: SEE NOTES	
CHKD.	LYX	SCALE: N/A		REV.: AO	UNIT: mm
PDWG.NO:	0102-1	DR.	TSP	PAGE: 2/2	