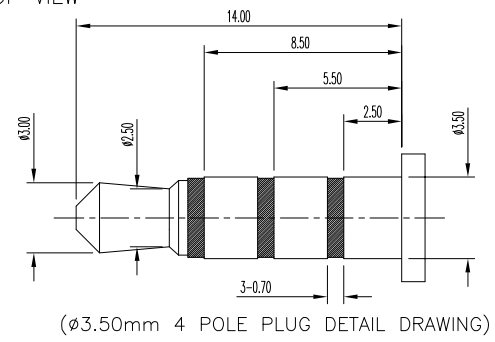
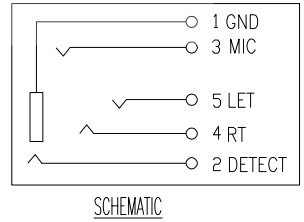
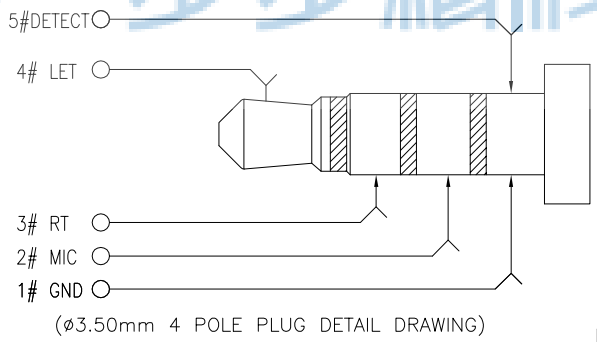
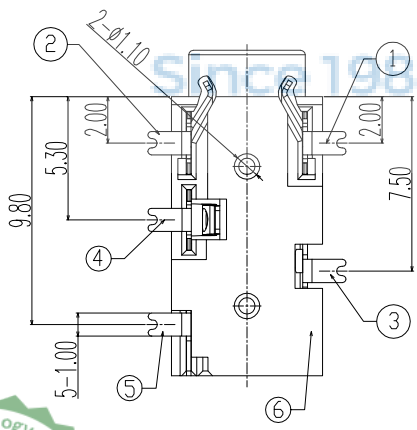
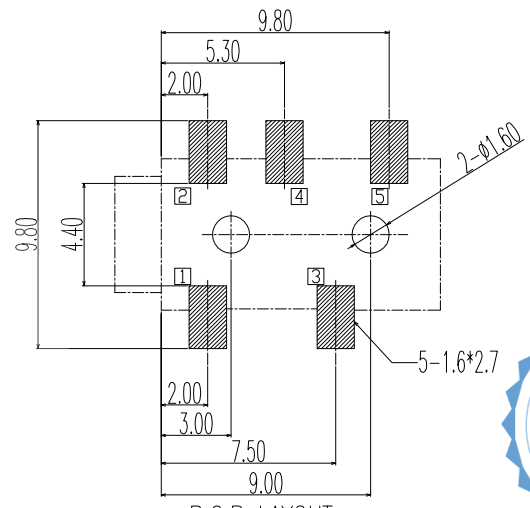
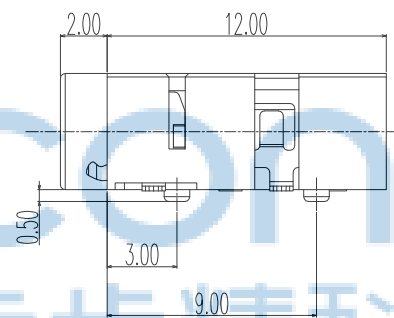
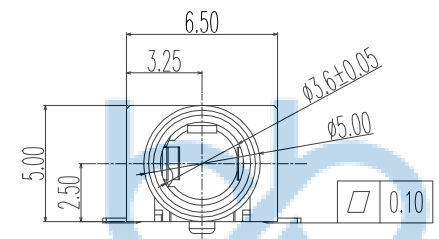
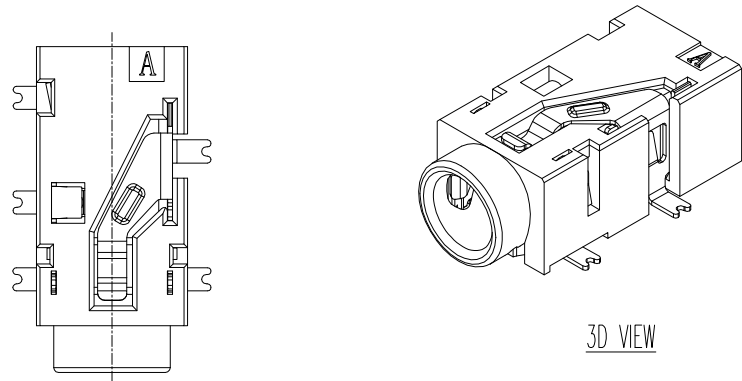


REV.	ECN NO.	CONTENT	DATE	ENGINEER
A0			2023 20/04	

- CONTACT CURRENT RATING: 1A.
- CONTACT RESISTANCE: 50 mΩ MAX.;
- INSULATION RESISTANCE: 100MΩ MIN.;
- DIELECTRIC WITHSTANDING: 500V AC MIN.;
- DURABILITY: 5,000 CYCLES MIN.;
- CONNECTOR MATING FORCES: 29.4N (3.00KgF) MAX.;
- CONNECTOR UNMATING FORCES: 2.94N(0.30KgF) MIN.;



ITEM	NAME	Q'TY	DESCRIPTION	NOTE
6	HOUSING	1	HIGHT TEMPERATURE PLASTIC; COLOR BLACK	
5	CONTACT 5#	1	PHOSPHOR BRONZE; NICKEL UNDER PLATING OVERALL,TIN WHOLE THE OVERALL	
4	CONTACT 4#	1	PHOSPHOR BRONZE; NICKEL UNDER PLATING OVERALL,TIN WHOLE THE OVERALL	
3	CONTACT 3#	1	PHOSPHOR BRONZE; NICKEL UNDER PLATING OVERALL,TIN WHOLE THE OVERALL	
2	CONTACT 2#	1	PHOSPHOR BRONZE; NICKEL UNDER PLATING OVERALL,TIN WHOLE THE OVERALL	
1	CONTACT 1#	1	PHOSPHOR BRONZE; NICKEL UNDER PLATING OVERALL,TIN WHOLE THE OVERALL	

THIS DOCUMENT IS THE SOLE PROPERTY OF BBJconn Technology Co.,Ltd. Corporation AND SHOULD NOT BE USED IN WHOLE OR IN PART WITHOUT PRIOR WRITTEN PERMISSION.

PDWG.NO: 0076-1

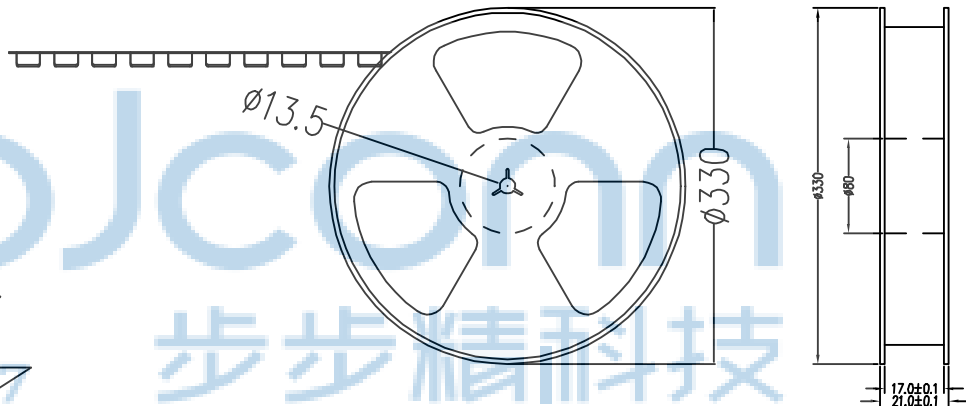
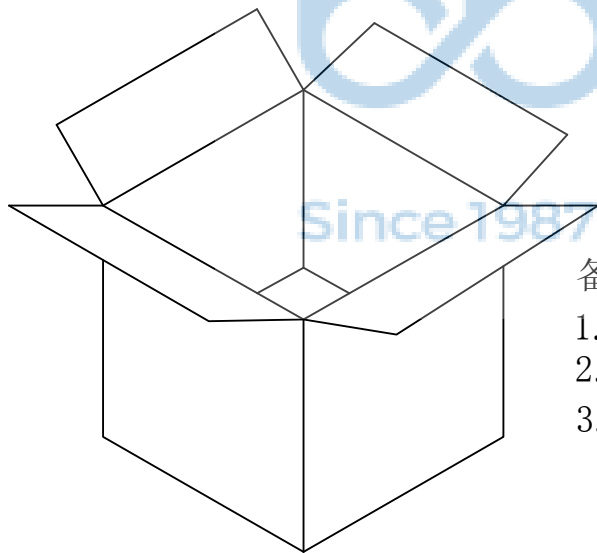
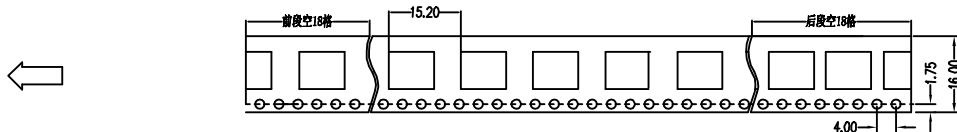
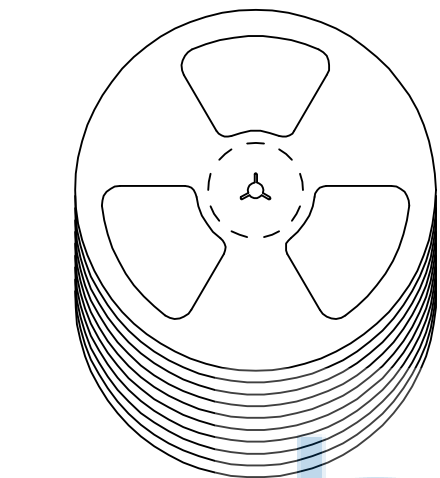
APPD. JM_Zheng 23/05/02
CHKD. LYX 23/05/02
DR. SGF 23/05/02

深圳市步步精科技有限公司

NAME: 3.5耳机座 有头 五脚贴 带柱 四节 (PJ35A046-F05T1BR-B)

PJ. NO.: PJ.01.22-01-3026
SIZE: A4 DRW NO.:

FINISH: SEE NOTES MAT'L.: SEE NOTES
SCALE: N/A REV.: A0 UNIT: mm PAGE: 1/1



备注:

1. 包装数量: 1000/PCS/卷, 10卷/箱或15卷/箱。
2. 包装袋长度: 每卷前后各空10-20个空格, 中间包装。
3. 材质:
 载体: 聚丙烯 (PS), 阻抗 $10^{6-9} \Omega$
 上带: 聚乙烯 (PET), 阻抗 $10^{6-11} \Omega$
 卷盘: 聚苯乙烯。

纸箱规格: 345*345*23MM
 纸箱规格: 345*345*35MM

THIS DOCUMENT IS THE SOLE PROPERTY OF BBJconn Technology Co.,Ltd. Corporation AND SHOULD NOT BE USED IN WHOLE OR IN PART WITHOUT PRIOR WRITTEN PERMISSION.		PDWG.NO: 0076-1		深圳市步步精科技有限公司 .X: ±0.38 .X': ±3" .XX: ±0.25 .X": ±2" .XXX: ±0.13 .XX': ±1"		NAME: 3.5耳机座 有头 五脚贴 带柱 四节 (PJ35A046-F05T1BR-B) PJ. NO.: PJ.01.22-01-3026 SIZE: A4 DRW NO.: FINISH: SEE NOTES MAT'L.: SEE NOTES SCALE: N/A REV.: A0 UNIT: mm PAGE: 1/1	
APPD.	JM_Zheng	23/05'02					
CHKD.	LYX	23/05'02					
DR.	SGF	23/05'02					