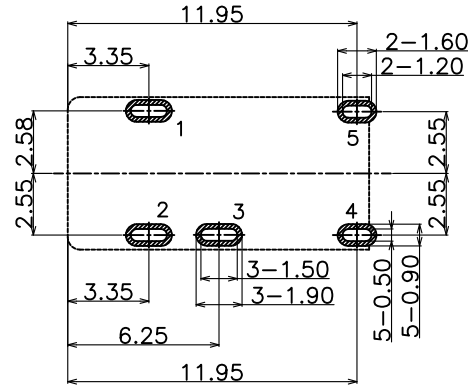
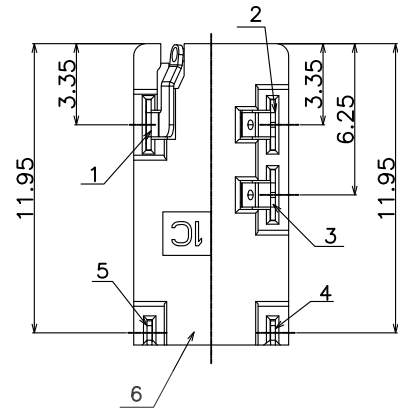
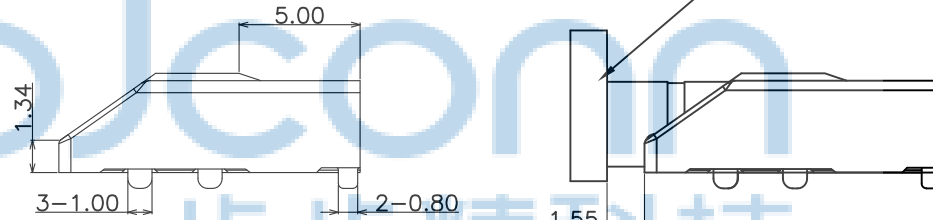
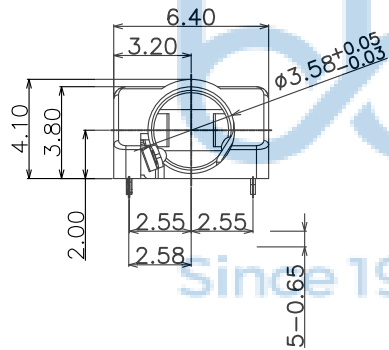


REV.	ECN NO.	CONTENT	DATE	ENGINEER
A0			2023 20/04	

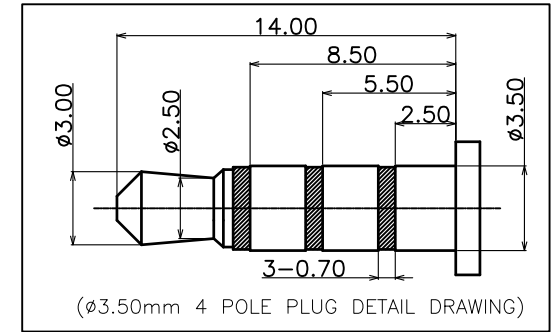


P.C.B LAYOUT  
TOP VIEW

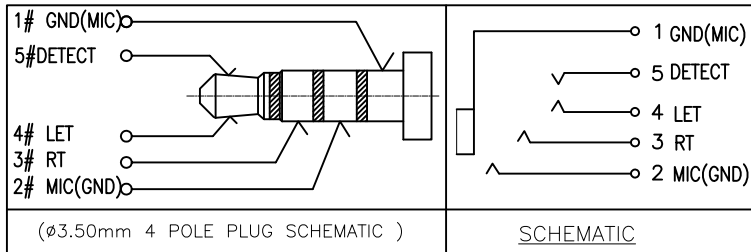
- CONTACT CURRENT RATING: 1A.
- CONTACT RESISTANCE: 50 mΩ MAX.;
- INSULATION RESISTANCE: 100MΩ MIN.;
- DIELECTRIC WITHSTANDING: 500V AC MIN.;
- DURABILITY: 5,000 CYCLES MIN.;
- CONNECTOR MATING FORCES: 30N MAX.;
- CONNECTOR UNMATING FORCES: 3N MIN.;



PLUG MATE DRAWING

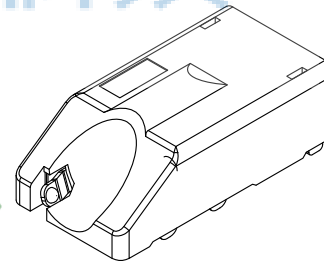


( $\phi 3.50\text{mm}$  4 POLE PLUG DETAIL DRAWING)



( $\phi 3.50\text{mm}$  4 POLE PLUG SCHEMATIC )

SCHEMATIC



THIS DOCUMENT IS THE  
SOLE PROPERTY OF  
BBJconn Technology Co.,Ltd.  
Corporation AND SHOULD  
NOT BE USED IN WHOLE  
OR IN PART WITHOUT  
PRIOR WRITTEN PERMISSION.  
PDWG.NO: 0076-1

**深圳市步步精科技有限公司**

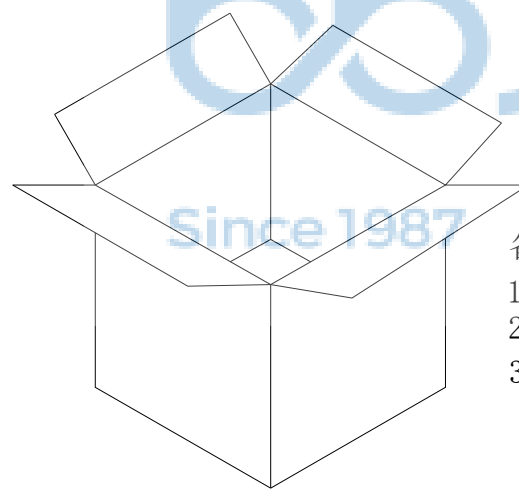
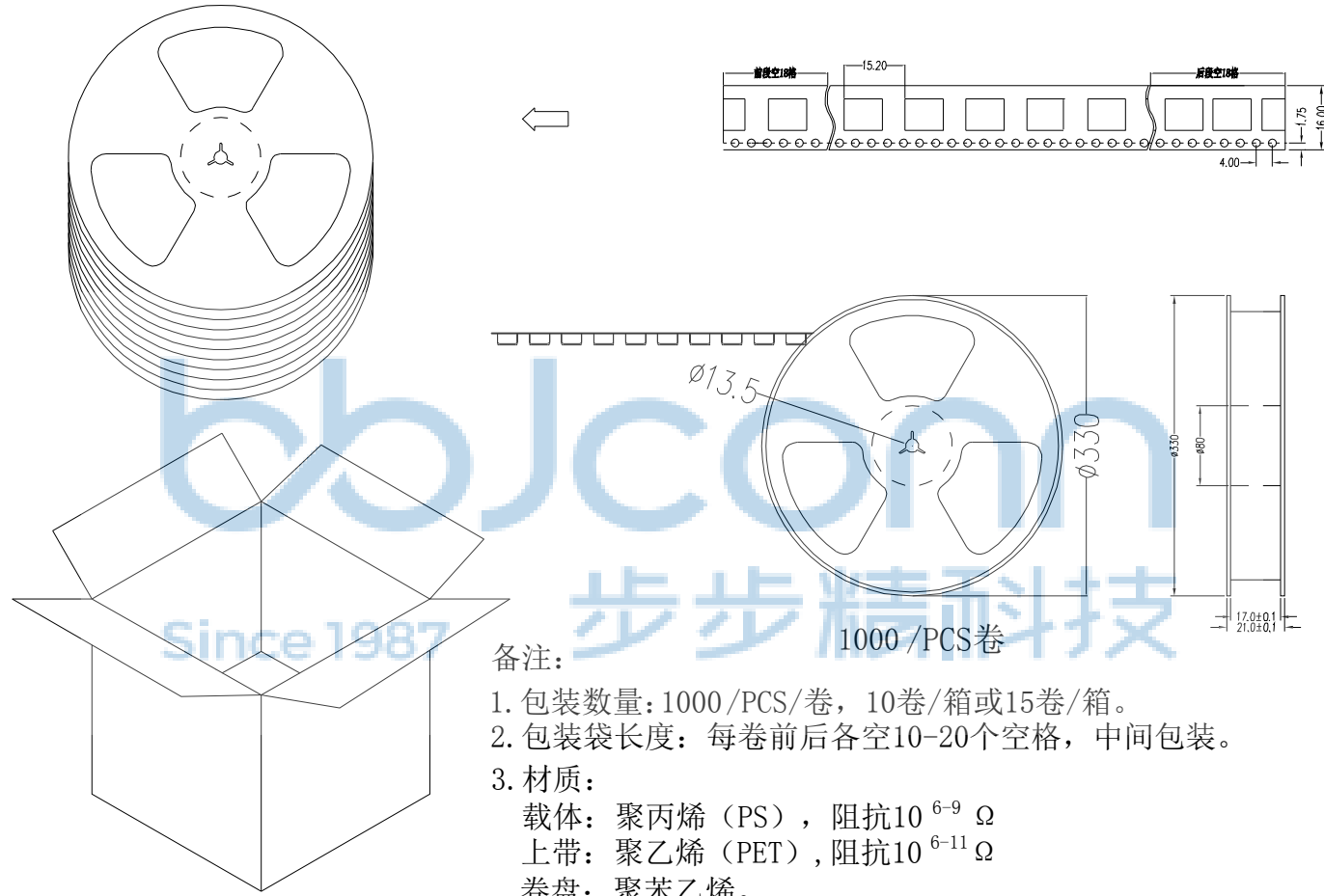
NAME: 3.5耳机座 斜口 五脚插 半金 (PJ35A016-F05J1BR-A)  
PJ. NO.: PJ.03.22-01-3003  
SIZE: A4 DRW NO.:

APPD. JM\_Zheng 23/05'02  
CHKD. LYX 23/05'02  
DR. SGF 23/05'02

FINISH: SEE NOTES MAT'L.: SEE NOTES  
SCALE: N/A REV.: A0 UNIT: mm PAGE: 1/1

ITEM	NAME	Q'TY	DESCRIPTION	NOTE
6	HOUSING	1	HIGHT TEMPERATURE PLASTIC; COLOR BLACK	
5	TERMINAL 5#	1	STAINLESS STEEL; NICKEL UNDER PLATING OVERALL, GOLD PLATING ON SOLDER AREA; GOLD PLATING ON CONTACT AREA	T=0.20mm
4	TERMINAL 4#	1		T=0.20mm
3	TERMINAL 3#	1		T=0.20mm
2	TERMINAL 2#	1	COPPER ALLOY; NICKEL UNDER PLATING OVERALL, GOLD PLATING ON SOLDER AREA; GOLD PLATING ON CONTACT AREA	T=0.20mm
1	TERMINAL 1#	1		T=0.20mm

REV.	ECN NO	CONTENT	DATE	ENGINEER
A0			2023 20/04	



备注：  
 1. 包装数量：1000 /PCS/卷，10卷/箱或15卷/箱。  
 2. 包装袋长度：每卷前后各空10-20个空格，中间包装。  
 3. 材质：  
 载体：聚丙烯（PS），阻抗 $10^{6-9} \Omega$   
 上带：聚乙烯（PET），阻抗 $10^{6-11} \Omega$   
 卷盘：聚苯乙烯。  
 纸箱规格：345\*345\*23MM  
 纸箱规格：345\*345\*35MM



THIS DOCUMENT IS THE SOLE PROPERTY OF BBJconn Technology Co.,Ltd. Corporation AND SHOULD NOT BE USED IN WHOLE OR IN PART WITHOUT PRIOR WRITTEN PERMISSION.		深圳市步步精科技有限公司 .X: ±0.38 .X': ±3" .XX: ±0.25 .X": ±2" .XXX: ±0.13 .XX": ±1"		NAME: 3.5耳机座 斜口 五脚插 半金 (PJ35A016-F05J1BR-A) PJ. NO.: PJ.03.22-01-3003 SIZE: A4 DRW NO.: FINISH: SEE NOTES MAT'L.: SEE NOTES SCALE: N/A REV.: A0 UNIT: mm PAGE: 1/1	
APPD.	JM_Zheng	23/05'02	CHKD.	LYX	23/05'02
PDWG.NO:	0076-1	DR.	SGF	23/05'02	