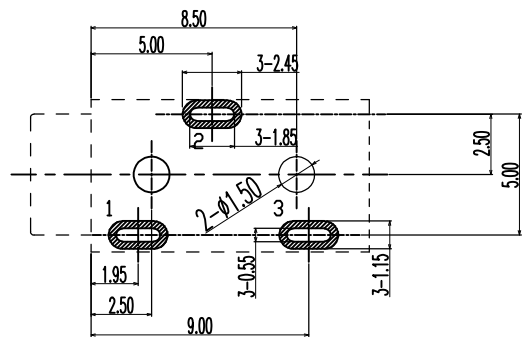
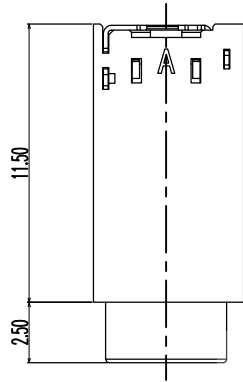
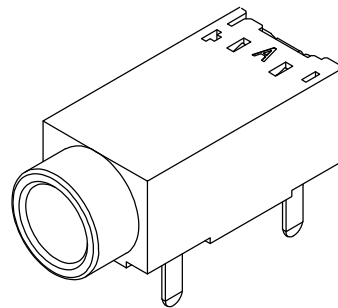


REV.	ECN NO.	CONTENT	DATE	ENGINEER
AO			2023 20/04	

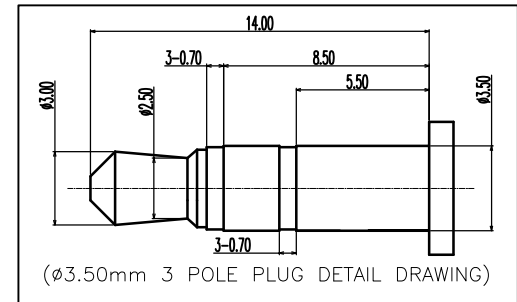
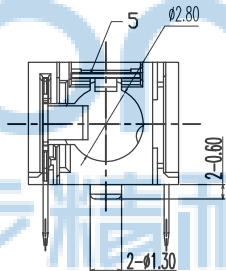
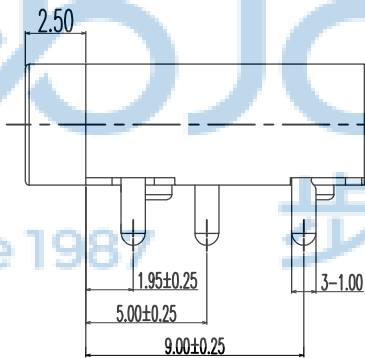
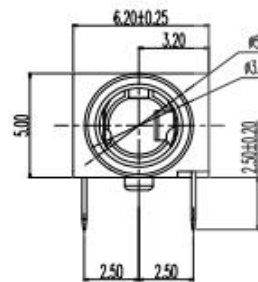


P.C.B LAYOUT
TOP VIEW

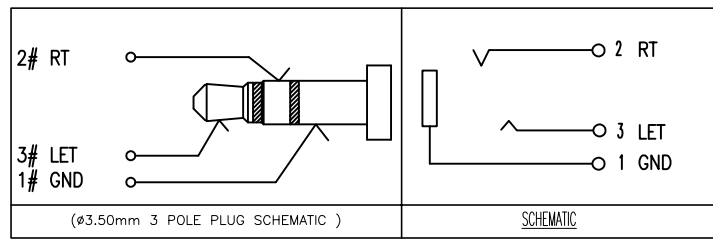
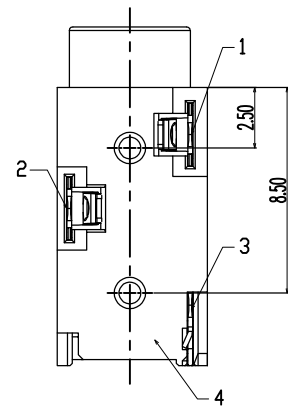


3D VIEW

- CONTACT CURRENT RATING: 1A.
- CONTACT RESISTANCE: 100 mΩ MAX.;
- INSULATION RESISTANCE: 1000MΩ MIN.;
- DIELECTRIC WITHSTANDING: 500V AC MIN.;
- DURABILITY: 5,000 CYCLES MIN.;
- CONNECTOR MATING FORCES: 30N MAX.;
- CONNECTOR UNMATING FORCES: 3N MIN.;



(ø3.50mm 3 POLE PLUG DETAIL DRAWING)



(ø3.50mm 3 POLE PLUG SCHEMATIC)

SCHEMATIC

ITEM	NAME	Q'TY	DESCRIPTION	NOTE
5	FAKE PIN	1	STAINLESS STEEL; CLEANING.	T=0.20mm
4	HOUSING	1	HIGH TEMP. PLASTIC,COLOR BLACK.	
3	TERMINAL 3#	1	STAINLESS STEEL; THE BOTTOM OF THE NICKEL;THE WHOLE MATTE TIN PLATING.	T=0.20mm
2	TERMINAL 2#	1	PHORPHOS BRONZE; THE BOTTOM OF THE NICKEL;THE WHOLE MATTE TIN PLATING.	T=0.20mm
1	TERMINAL 1#	1	PHORPHOS BRONZE; THE BOTTOM OF THE NICKEL;THE WHOLE MATTE TIN PLATING.	T=0.20mm



THIS DOCUMENT IS THE SOLE PROPERTY OF BBJconn Technology Co.,Ltd.

深圳市步步精科技有限公司

NAME: 3.5耳机座 有头 带柱 三脚插 (PJ35A108-F03S1BR-A)

APPD. JM_Zheng 23/05'02

CHKD. LYX 23/05'02

DR. SGF 23/05'02

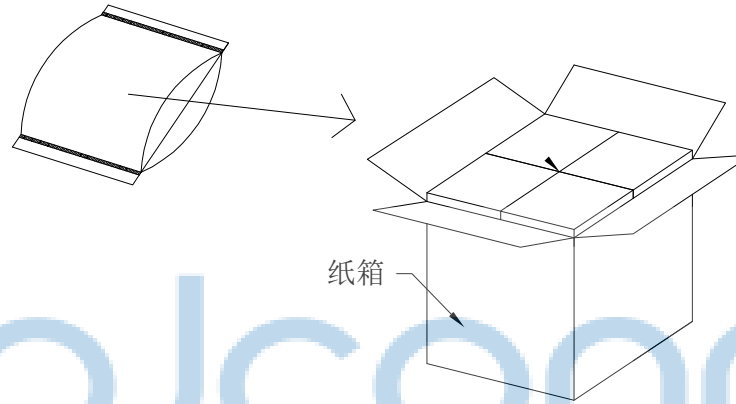
FINISH: SEE NOTES MAT'L.: SEE NOTES

SCALE: N/A REV.: A0 UNIT: mm PAGE: 1/1

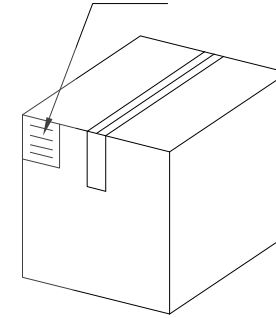
PDWG.NO: 0076-1

REV.	ECN NO.	CONTENT	DATE	ENGINEER
A0			2023 20/04	

PE袋规格: 260*185




成品标签



1. 包装要求:

- 1.1 每个PE袋包装1000pcs;
- 1.2 每1袋放一小纸盒;
- 1.3 每20个小纸盒放一个纸箱, 共计20000pcs;
- 1.4 纸箱外贴上标签

THIS DOCUMENT IS THE SOLE PROPERTY OF BBJconn Technology Co.,Ltd. Corporation AND SHOULD NOT BE USED IN WHOLE OR IN PART WITHOUT PRIOR WRITTEN PERMISSION.		 深圳市步步精科技有限公司	
PDWG.NO: 0076-1		.X: ±0.38 .X': ±3" .XX: ±0.25 .X'': ±2" .XXX: ±0.13 .XX': ±1"	
APPD. JM_Zheng 23/05'02		NAME: 3.5耳机座 有头 带柱 三脚插 (PJ35A108-F03S1BR-A)	
CHKD. LYX 23/05'02		PJ. NO.: PJ.02.21-01-3004 SIZE: A4 DRW NO.:	
DR. SGF 23/05'02		FINISH: SEE NOTES MAT'L.: SEE NOTES SCALE: N/A REV.: A0 UNIT: mm PAGE: 1/1	