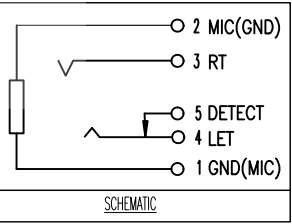
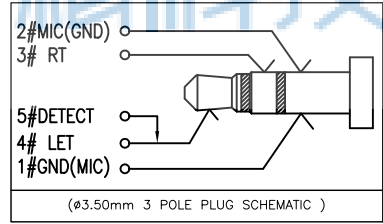
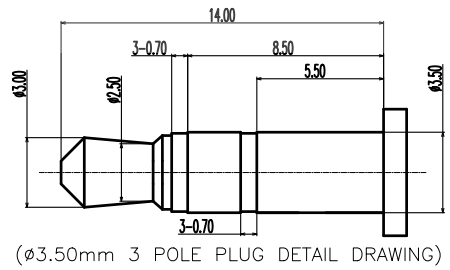
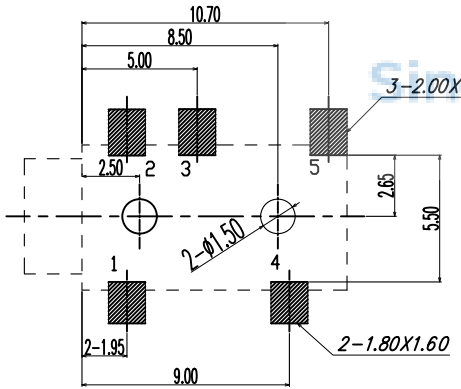
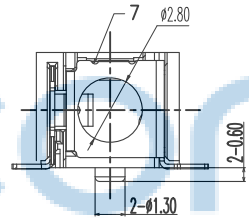
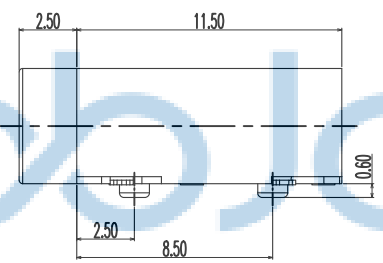
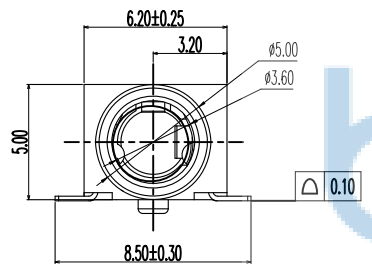
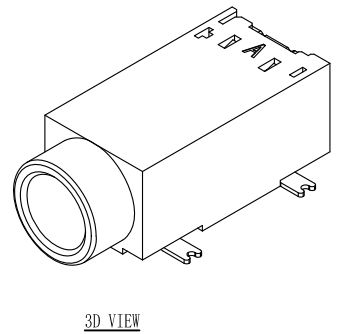
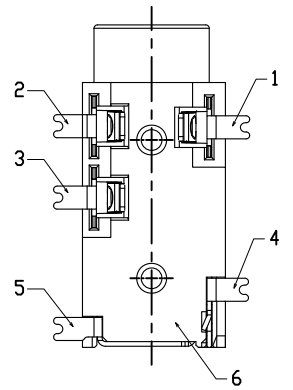
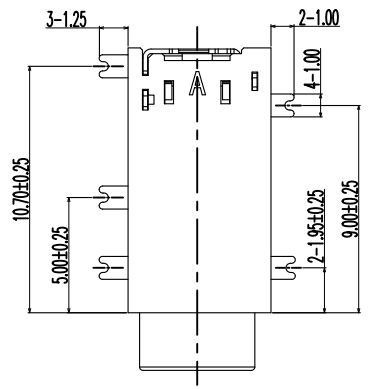


REV.	ECN NO.	CONTENT	DATE	ENGINEER
A0			2023 20/04	

- CONTACT CURRENT RATING: 1A.
- CONTACT RESISTANCE: 100 mΩ MAX. ;
- INSULATION RESISTANCE: 1000 Ω MIN. ;
- DIELECTRIC WITHSTANDING: 500V AC MIN. ;
- DURABILITY: 5,000 CYCLES MIN. ;
- CONNECTOR MATING FORCES: 30N MAX. ;
- CONNECTOR UNMATING FORCES: 3N MIN. ;



ITEM	NAME	Q'TY	DESCRIPTION	NOTE
7	FAKE PIN	1	STAINLESS STEEL; CLEANING.	T=0.20mm
6	HOUSING	1	PA10T; COLOR BLACK.	
5	TERMINAL 5#	1	BRASS; THE BOTTOM OF THE NICKEL; THE WHOLE MATTE TIN PLATING.	T=0.20mm
4	TERMINAL 4#	1	STAINLESS STEEL; THE BOTTOM OF THE NICKEL; THE WHOLE MATTE TIN PLATING.	T=0.20mm
3	TERMINAL 3#	1		T=0.20mm
2	TERMINAL 2#	1	PHORPHOS BRONZE; THE BOTTOM OF THE NICKEL; THE WHOLE MATTE TIN PLATING.	T=0.20mm
1	TERMINAL 1#	1		T=0.20mm

THIS DOCUMENT IS THE SOLE PROPERTY OF BBJconn Technology Co., Ltd. Corporation AND SHOULD NOT BE USED IN WHOLE OR IN PART WITHOUT PRIOR WRITTEN PERMISSION.

PDWG.NO: 0076-1

DR. SGF 23/05/02

深圳市步步精科技有限公司

.X: ±0.38 .XX: ±0.25 .XXX: ±0.13 X': ±3' .X': ±2' .XX': ±1'

NAME: 3.5耳机座 有头 五脚贴片 带柱 三节 (PJ35A108-F05S1BR-D)

APPD. JM_Zheng 23/05/02

CHKD. LYX 23/05/02

PJ. NO.: PJ.01.22-01-3012

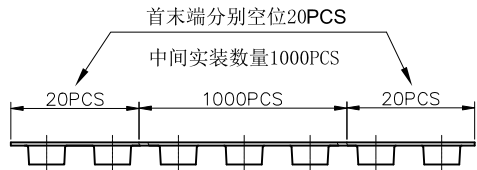
SIZE: A4 DRW NO.:

FINISH: SEE NOTES MAT'L.: SEE NOTES

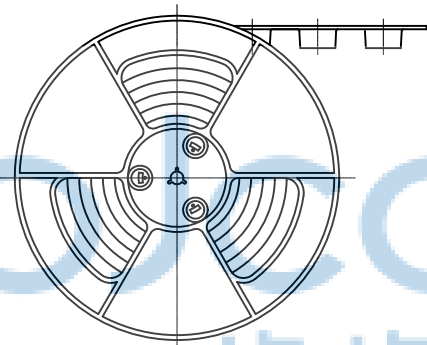
SCALE: N/A REV.: A0 UNIT: mm PAGE: 1/1

1载带=1000PCS

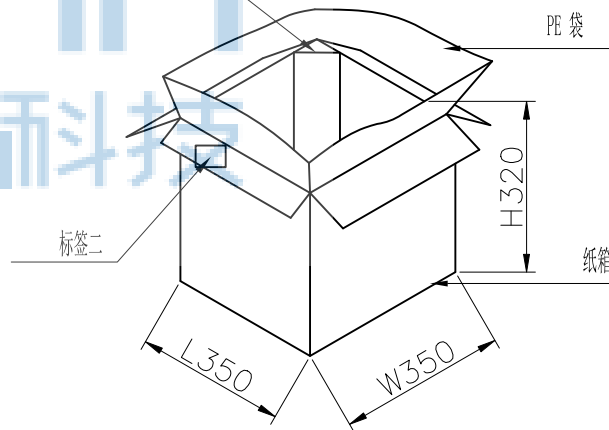
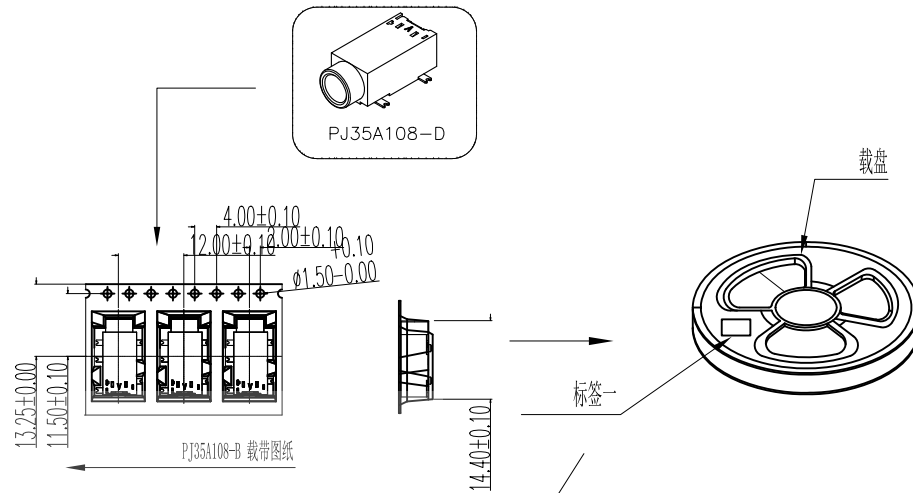
1外箱=1000PCSX10盘载带=10000PCS



载带引出方向
* 载带包装时请依此引出方向为标准



卷盘包装示意



包材名称	材料及厚度(mm)	规格(mm)
PJ35A108-B 载带	P.S(白色透明)T=0.30	12500X24.00X5.10
载盘	HI P.S(蓝色)	φ330X28.40
自粘带	PET(白色透明)	W=21.30 T=0.06
纸箱	K=K	350X350X320
PE袋	PE	

备注:

1. 每载盘内必须放干燥剂;
2. 每箱必须按照要求增加PE防水袋包装;
3. 参考《高温材料管理规定》进行作业;
4. 条码+二维码标签和交货标签按客户要求制作;



THIS DOCUMENT IS THE SOLE PROPERTY OF BBJconn Technology Co.,Ltd. Corporation AND SHOULD NOT BE USED IN WHOLE OR IN PART WITHOUT PRIOR WRITTEN PERMISSION.		深圳市步步精科技有限公司 .X: ±0.38 .X': ±3' .XX: ±0.25 .X'': ±2" .XXX: ±0.13 .XX': ±1"	
APPD.	JM_Zheng	23/05/02	NAME: 3.5耳机座 有头 五脚贴片 带柱 三节 (PJ35A108-F05S1BR-D)
CHKD.	LYX	23/05/02	PJ. NO.: PJ.01.22-01-3012
DR.	SGF	23/05/02	SIZE: A4 DRW NO.:
PDWG.NO:	0076-1		FINISH: SEE NOTES MAT'L.: SEE NOTES
			SCALE: N/A REV.: A0 UNIT: mm PAGE: 1/1