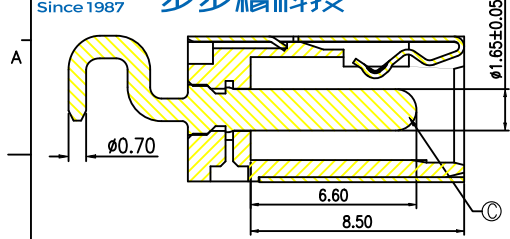
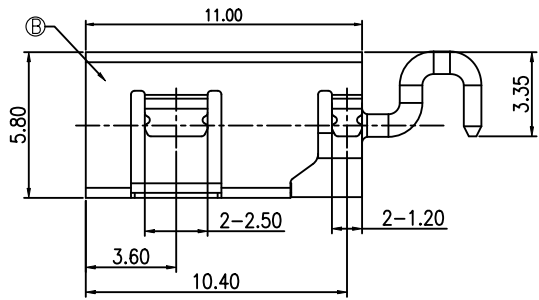
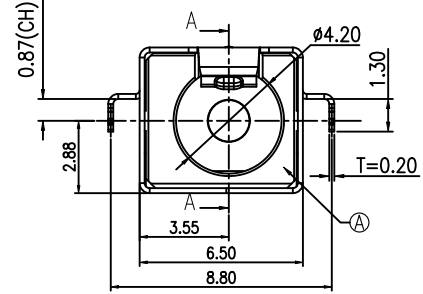


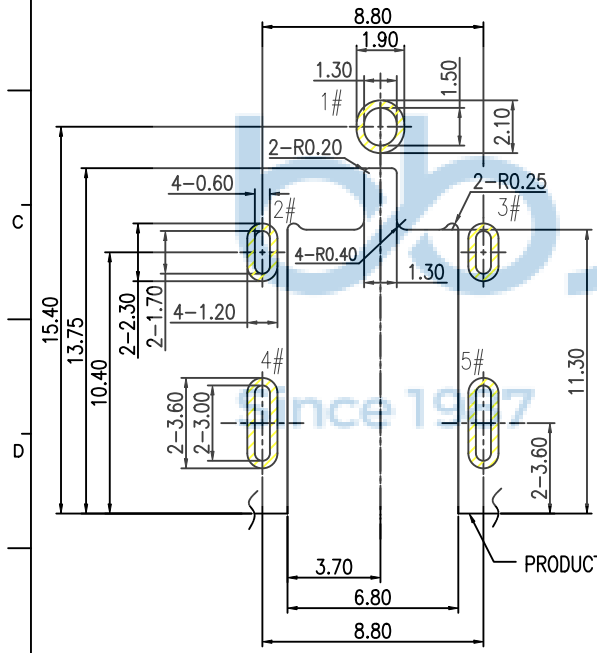
REV.	ECN NO	CONTENT	DATE	ENGINEER
A0			2023 20/04	



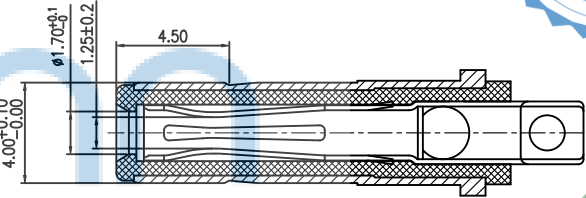
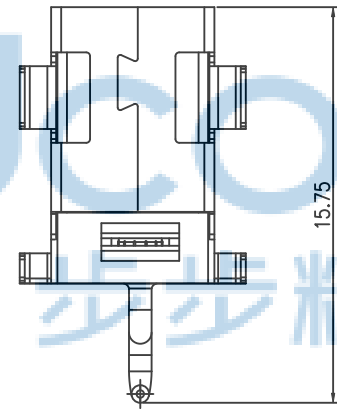
SECTION A-A



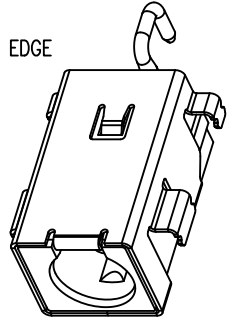
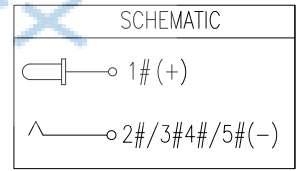
- SPECIFICATION:
1. RATING: DC 20V 5A
 2. CONTACT RESISTANCE: 30mΩ MAX.
 3. INSULATION RESISTANCE: 100 MΩ MIN.
 4. WITHSTAND VOLTAGE: 500 VAC
 5. INSERTION FORCE: 3N~30N
 6. EXTRACTION FORCE: 3N~30N
 7. DURABILITY: 5,000 CYCLES



RECOMMENDED PCB LAYOUT(t=1.00)
TOP VIEW TOLERANCE:±0.05



MATING PLUG



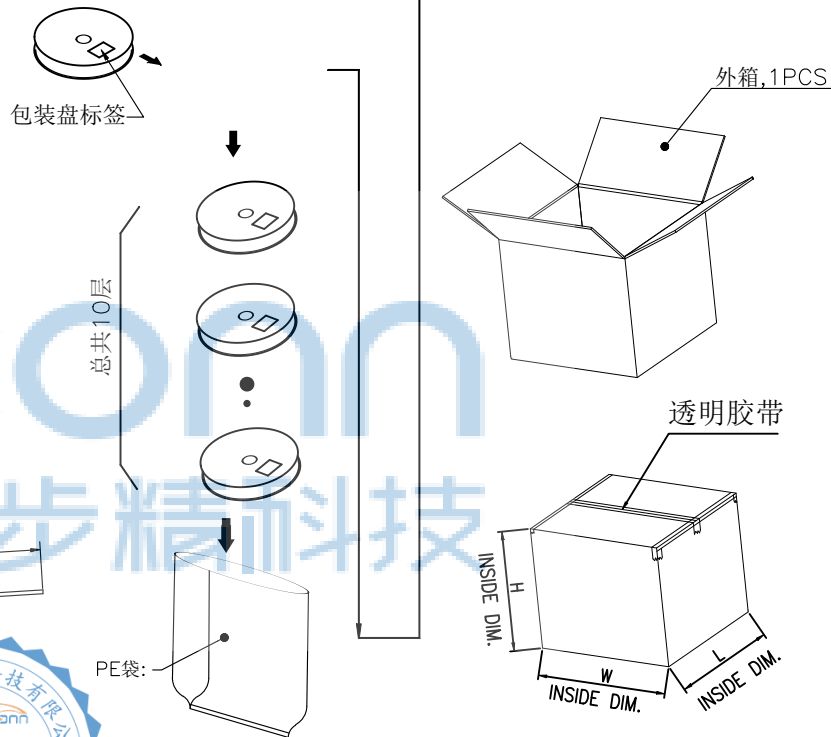
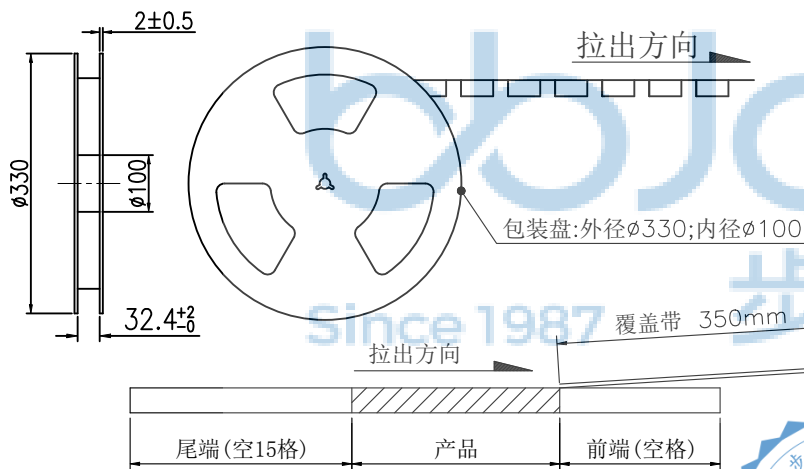
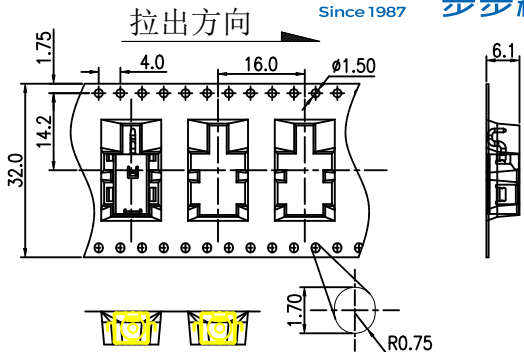
C	CENTER PIN	BRASS	GOLD FLASH"/Ni 40u"	1
B	SHELL	COPPER ALLOY	Ni 40u"	1
A	HOUSING	HIGH TEMP.THERMOPLASTIC	BLACK	1
NO.	DESCRIPTION	MATERIAL	REMARKS	QTY

THIS DOCUMENT IS THE SOLE PROPERTY OF BBJconn Technology Co.,Ltd. Corporation AND SHOULD NOT BE USED IN WHOLE OR IN PART WITHOUT PRIOR WRITTEN PERMISSION. PDPWG,NO: 0386-2

深圳市步步精科技有限公司

.X: ±0.38	X': ±3'	NAME:	DC座 DC1.65针 全铜 沉板式 四脚插 (DC400170-1091-20000H)
.XX: ±0.25	.X': ±2'	APPD.	JM_Zheng 23/05'02
.XXX: ±0.13	.XX': ±1'	CHKD.	LYX 23/05'02
DR. SGF 23/05'02		PJ. NO.: DC.03.52-12-G008	
SCALE: N/A		SIZE: A4 DRW NO.:	
REV.: A3		FINISH: SEE NOTES	
UNIT: mm		MAT'L.: SEE NOTES	
PAGE: 1/1			

REV.	ECN NO.	CONTENT	DATE	ENGINEER
AO			2023 20/04	



备注:

- 材料规格:
 - 载带: T=0.50mm, 黑色
 - 包装盘: 蓝色
 - 纸箱: L=335, W=335, H=380
- 包装数量: 600PCS/卷, 10卷(6000PCS)/箱
- 上盖带拔离力: 0.1N~0.7N(10~70gf);
拔离角度: 165°~180°;
拔离速度: 300mm/分钟.



THIS DOCUMENT IS THE SOLE PROPERTY OF		深圳市步步精科技有限公司	
BBJconn Technology Co., Ltd. Corporation AND SHOULD		.X: ±0.38 .X': ±3' .XX: ±0.25 .X'': ±2' .XXX: ±0.13 .X'': ±1'	
NOT BE USED IN WHOLE OR IN PART WITHOUT PRIOR WRITTEN PERMISSION.		APPD. JM_Zheng 23/05'02	NAME: DC座 DC1.65针 全铜 沉板式 四脚插 (DC400170-1091-20000H)
PDWG.NO: 0386-2	DR. SGF 23/05'02	CHKD. LYX 23/05'02	PJ. NO.: DC.03.52-12-G008
		SIZE: A4 DRW NO.:	
		FINISH: SEE NOTES MAT'L: SEE NOTES	
		SCALE: N/A REV.: A3 UNIT: mm PAGE: 1/1	