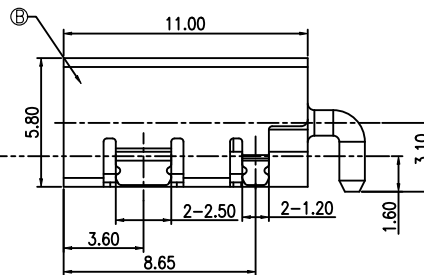
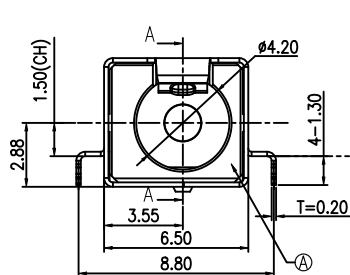
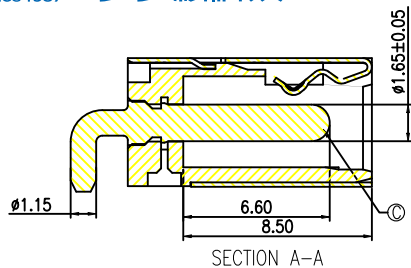
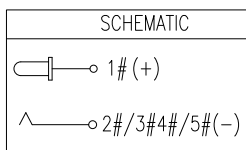
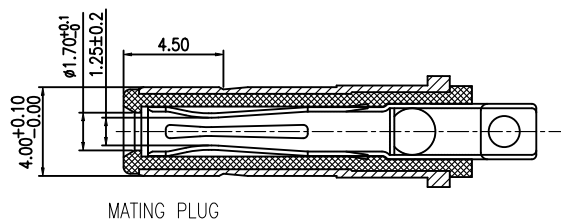
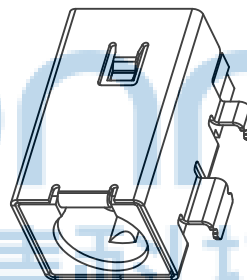
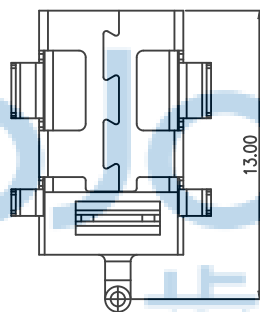
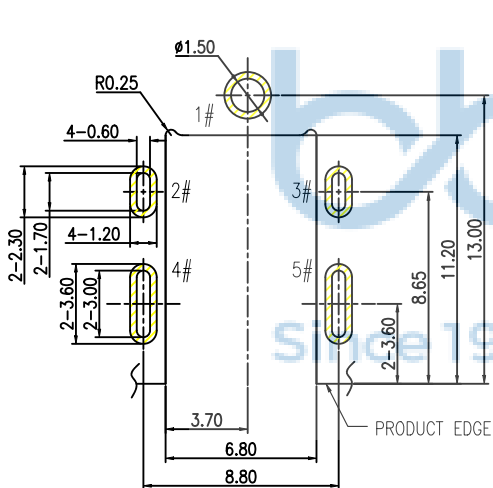


REV.	ECN NO.	CONTENT	DATE	ENGINEER
AO			2023 20/04	



- SPECIFICATION:
1. RATING: DC 20V 8A
 2. CONTACT RESISTANCE: 30m Ω MAX.
 3. INSULATION RESISTANCE: 100 M Ω MIN.
 4. WITHSTAND VOLTAGE: 500 VAC
 5. INSERTION FORCE: 30N MAX.
 6. EXTRACTION FORCE: 3N MIN.
 7. DURABILITY: 5,000 CYCLES



C	CENTER PIN	BRASS	GOLD FLASH/Ni 40u"	1
B	SHELL	COPPER ALLOY	Ni 40u"	1
A	HOUSING	HIGH TEMP.THERMOPLASTIC	BLACK	1
NO.	DESCRIPTION	MATERIAL	REMARKS	QTY

THIS DOCUMENT IS THE SOLE PROPERTY OF BBJconn Technology Co., Ltd. Corporation AND SHOULD NOT BE USED IN WHOLE OR IN PART WITHOUT PRIOR WRITTEN PERMISSION.

PDWG.NO: 0386-2

DR. SGF 23/05/02

深圳市步步精科技有限公司

NAME: DC座 DC-L.65针 全铜 沉板式 四脚插 (DC400170-0985-30000H)

PJ. NO.: DC.03.52-12-G004

SIZE: A4 DRW NO.:

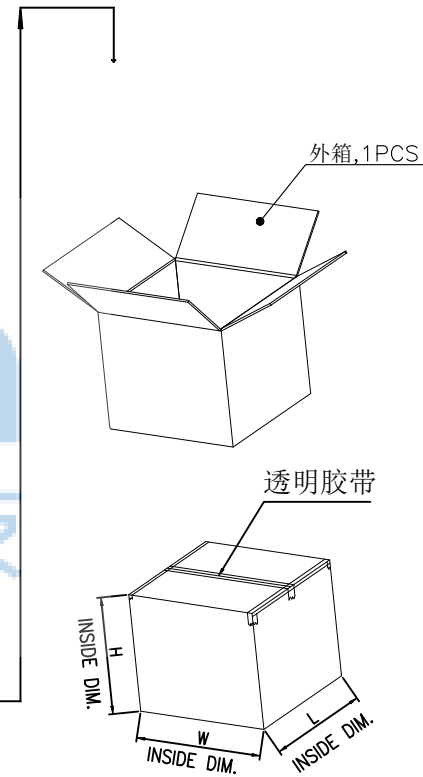
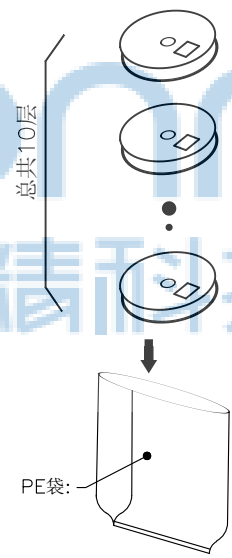
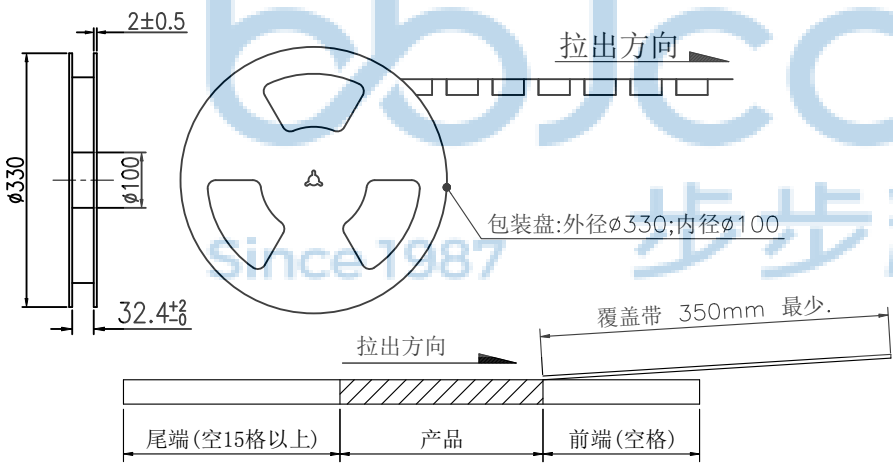
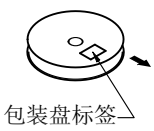
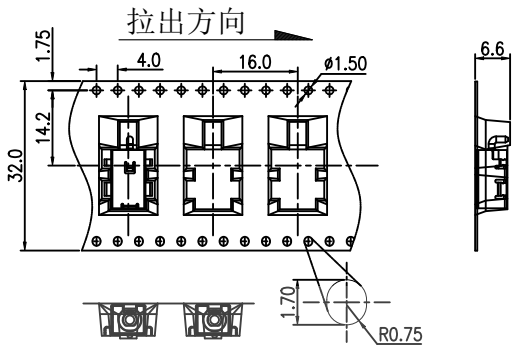
FINISH: SEE NOTES MAT'L.: SEE NOTES

SCALE: N/A REV.: A3 UNIT: mm PAGE: 1/1



REV.	ECN NO	CONTENT	DATE	ENGINEER
A0			2023 20/04	

A
B
C
D
E



- 备注:
- 材料规格:
 - 1.1 载带:T=0.50mm,黑色
 - 1.2 包装盘:蓝色
 - 1.3 纸箱: L=335,W=335,H=380
 - 包装数量:
 - 600PCS/卷, 10卷(6000PCS)/箱
 - 上盖带拨离力: 0.1N~0.7N(10~70gf);
 拨离角度: 165°~180°;
 拨离速度: 300mm/分钟。



THIS DOCUMENT IS THE SOLE PROPERTY OF BBJconn Technology Co.,Ltd. Corporation AND SHOULD NOT BE USED IN WHOLE OR IN PART WITHOUT PRIOR WRITTEN PERMISSION. PDWG.NO: 0386-2	深圳市步步精科技有限公司		NAME: DC座 DC-1.65针 全铜 沉板式 四脚插 (DC400170-0985-3000H)	
	.X: ±0.38 .XX: ±0.25 .XXX: ±0.13	X': ±3" .X': ±2" .XX': ±1"	APPD. JM_Zheng 23/05/02	P.J. NO.: DC.03.52-12-G004
	CHKD. LYX 23/05/02	DR. SGF 23/05/02	SIZE: A4 DRW NO.:	MAT'L.: SEE NOTES
	FINISH: SEE NOTES		UNIT: mm	
	SCALE: N/A		REV.: A3	

A
B
C
D
E