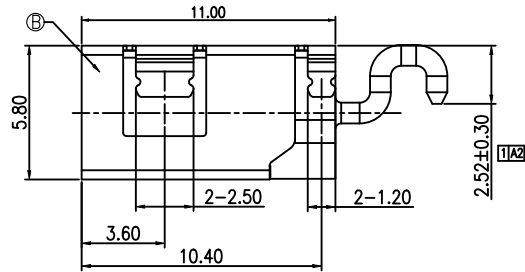
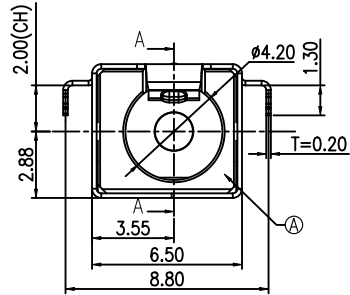
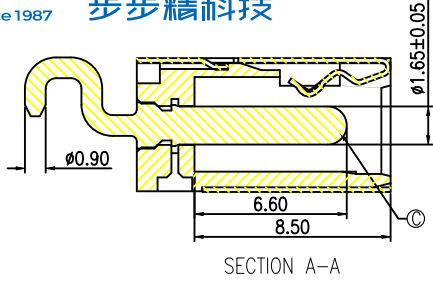
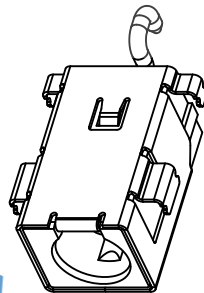
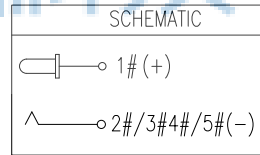
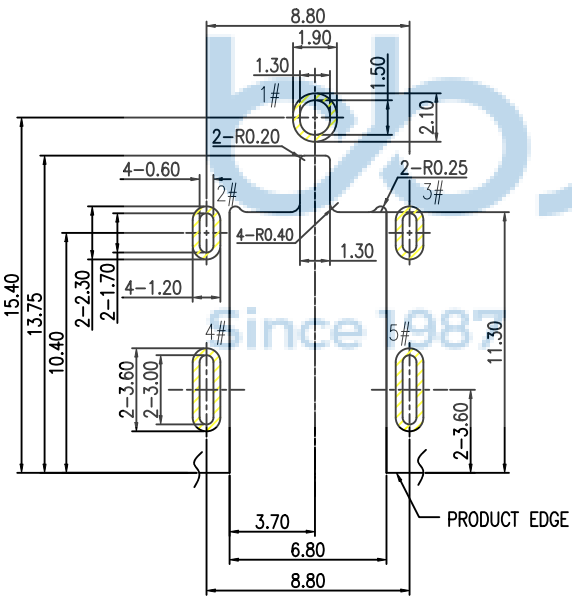
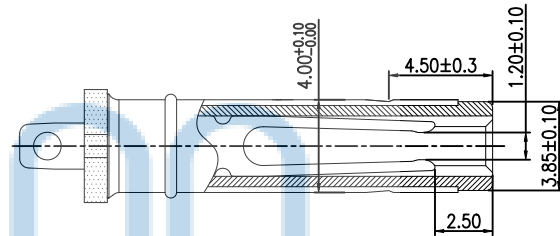
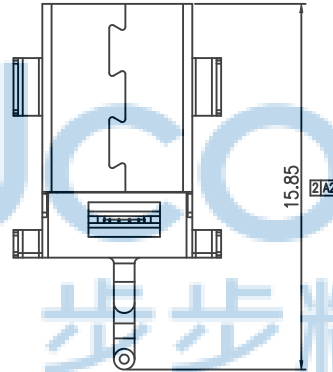


REV.	ECN NO	CONTENT	DATE	ENGINEER
AO			2023 20/04	



SPECIFICATION:

1. RATING: DC 20V 5A
2. CONTACT RESISTANCE: 30mΩ MAX.
3. INSULATION RESISTANCE: 100 MΩ MIN.
4. WITHSTAND VOLTAGE: 500 VAC
5. INSERTION FORCE: 13N~30N
6. EXTRACTION FORCE: 13N~30N
7. DURABILITY: 5,000 CYCLES



NO.	DESCRIPTION	MATERIAL	REMARKS	QTY
C	CENTER PIN	HBI59	GOLD FLASH/Ni 50u"	1
B	SHELL	C5210	Ni 50u"	1
A	HOUSING	PA10T	BLACK	1

RECOMMENDED PCB LAYOUT(t=1.00)
TOP VIEW TOLERANCE: ±0.05



THIS DOCUMENT IS THE SOLE PROPERTY OF		深圳市步步精科技有限公司	
BBJconn Technology Co., Ltd. Corporation AND SHOULD NOT BE USED IN WHOLE OR IN PART WITHOUT PRIOR WRITTEN PERMISSION.		.X: ±0.38 X': ±3" .XX: ±0.25 .X': ±2" .XXX: ±0.13 .XX': ±1"	
APPD.	JM_Zheng 23/05'02	NAME:	DC座 DC-1.65针 全铜 沉板式 四脚插(DC400170-0961-30000H-A2)
CHKD.	LYX 23/05'02	PJ. NO.:	DC.03.52-12-G003
PDWG.NC:	0386-2	SIZE:	A4 DRW NO.:
DR.	SGF 23/05'02	FINISH:	SEE NOTES
		MAT'L.:	SEE NOTES
		SCALE:	N/A
		REV.:	A3
		UNIT:	mm
		PAGE:	1/1

REV.	ECN NO.	CONTENT	DATE	ENGINEER
AO			2023 20/04	

A

B

C

D

E

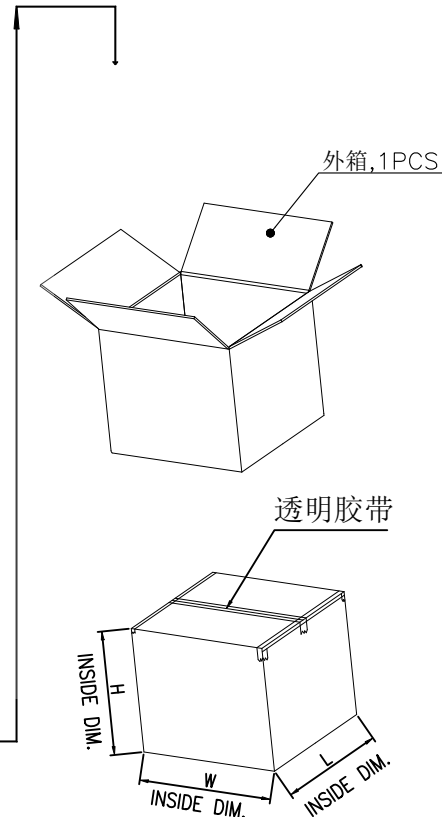
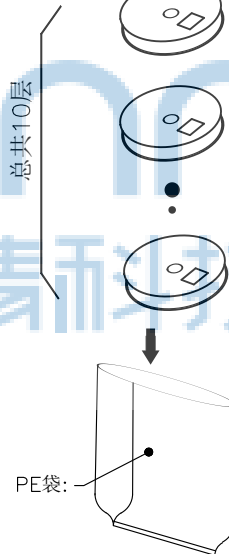
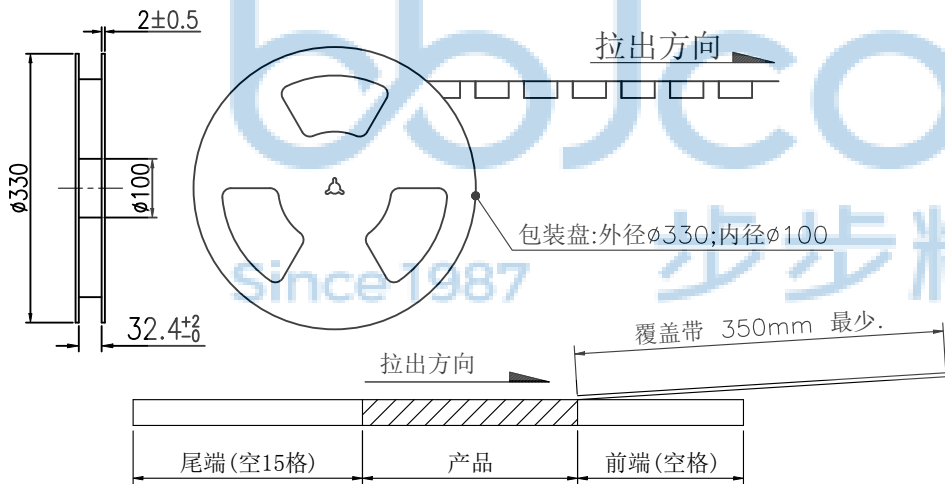
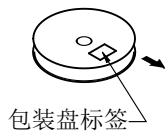
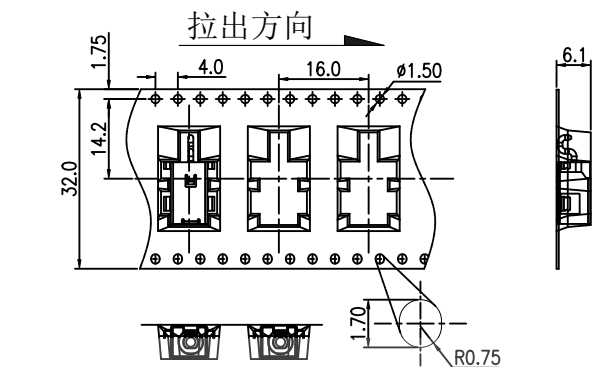
A

B

C

D

E



备注:

- 材料规格:
 - 载带:T=0.50mm,黑色
 - 包装盘:蓝色
 - 纸箱: L=335,W=335,H=380
- 包装数量:
600PCS/卷, 10卷(6000PCS)/箱
- 上盖带剥离力: 0.1N~0.7N(10~70gf);
剥离角度: 165°~180°;
剥离速度: 300mm/分钟.



THIS DOCUMENT IS THE SOLE PROPERTY OF BBJconn Technology Co.,Ltd. Corporation AND SHOULD NOT BE USED IN WHOLE OR IN PART WITHOUT PRIOR WRITTEN PERMISSION.		深圳市步步精科技有限公司 .X: ±0.38 .X': ±3' .XX: ±0.25 .X'': ±2' .XXX: ±0.13 .X''': ±1'	
PDWG.No: 0386-2	DR. SGF	APPD. JM_Zheng 23/05'02	NAME: DC座 DC-1.65针 全铜 沉板式 四脚插(DC400170-0961-30000H-A2)
		CHKD. LYX 23/05'02	PJ. No.: DC.03.52-12-G003
		23/05'02	SIZE: A4 DRW NO.:
			FINISH: SEE NOTES MAT'L: SEE NOTES
			SCALE: N/A REV.: A3 UNIT: mm PAGE: 1/1