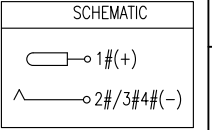
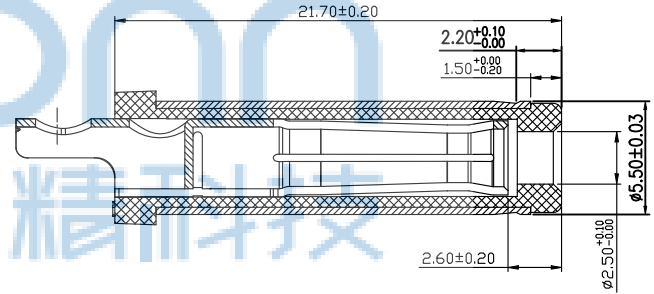
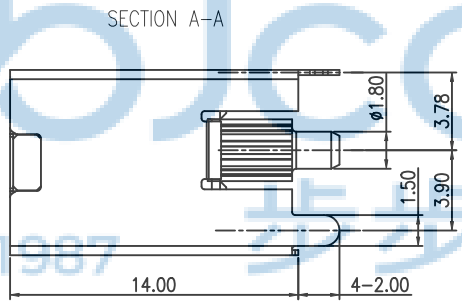
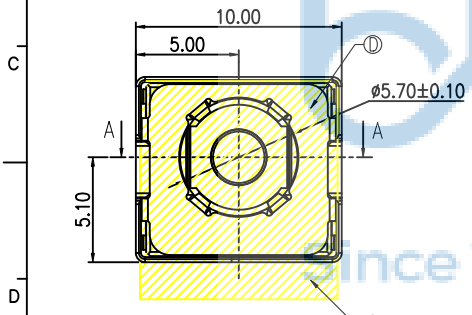
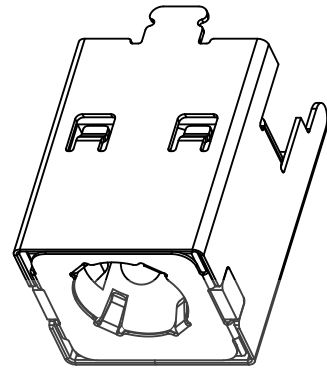
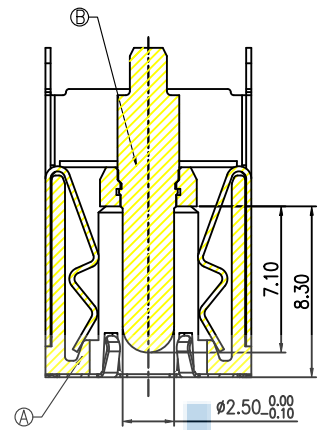
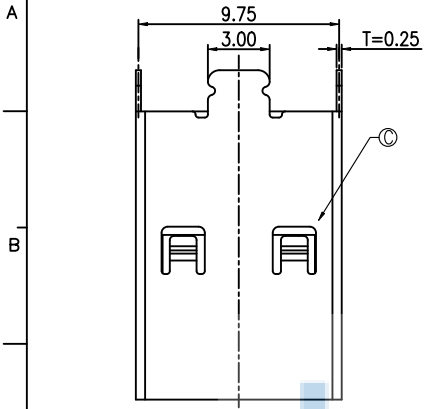
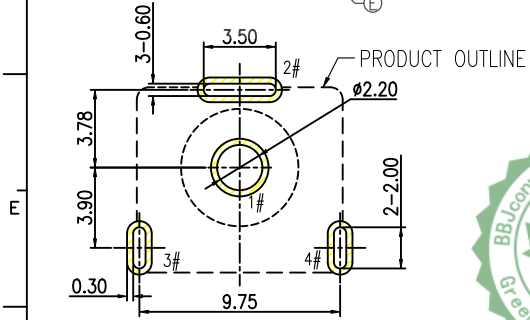


REV.	ECN NO	CONTENT	DATE	ENGINEER
AO			2023 20/04	

- SPECIFICATION:
- RATING: DC 20V 20A
 - CONTACT RESISTANCE:
30m? MAX.(INITIAL)
50m? MAX.(FINAL)
 - INSULATION RESISTANCE: 100 M? MIN.
 - WITHSTAND VOLTAGE: 500 VAC
 - INSERTION FORCE: 3N~30N
 - EXTRACTION FORCE: 3N~30N
 - DURABILITY: 5,000 CYCLES



MATING PLUG



NO.	DESCRIPTION	MATERIAL	REMARKS	QTY
E	MYLAR			1
D	GROUND	SUS 304		1
C	SHELL	COPPER ALLOY	Ni 40u"MIN.	1
B	CENTER PIN	BRASS	GOLD FLASH/Ni 40u" MIN.	1
A	HOUSING	HIGH TEMP.THERMOPLASTIC	BLACK	1

RECOMMENDED PCB LAYOUT
TOP VIEW TOLERANCE:±0.05

THIS DOCUMENT IS THE SOLE PROPERTY OF BBJconn Technology Co.,Ltd. Corporation AND SHOULD NOT BE USED IN WHOLE OR IN PART WITHOUT PRIOR WRITTEN PERMISSION.

PDWG.No: 0386-2

DR. SGF 23/05'02

NAME: DC座 DC-2.5针 全铜 直立式180° 三脚插 (DC550250-1077-20000R)

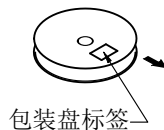
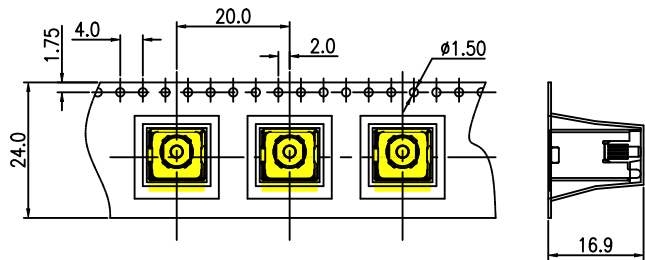
PJ. NO.: DC.02.72-12-G005
SIZE: A4 DRW NO.:

FINISH: SEE NOTES MAT'L.: SEE NOTES
SCALE: N/A REV.: A3 UNIT: mm PAGE: 1/1

拉出方向

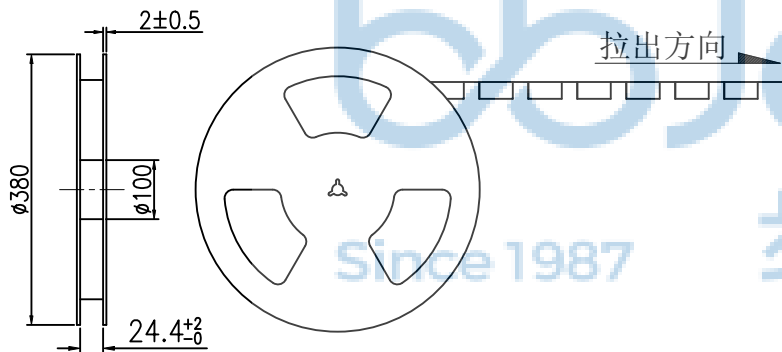


REV.	ECN NO.	CONTENT	DATE	ENGINEER
A0			2023 20/04	

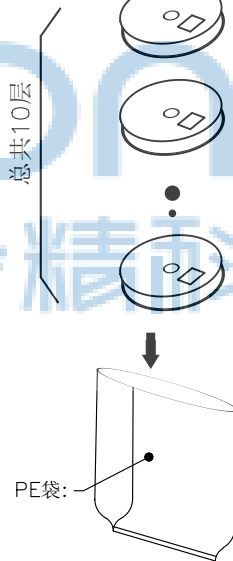
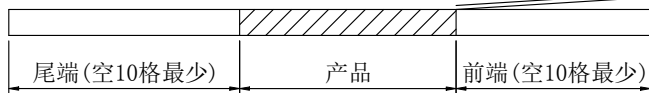


包装盘标签

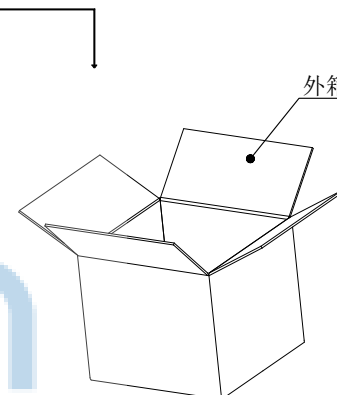
拉出方向



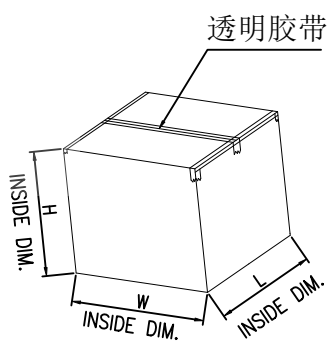
拉出方向



PE袋:



外箱, 1PCS



透明胶带

备注:

- 材料规格:
 - 1.1 载带:T=0.50mm
 - 1.2 包装盘:蓝色
 - 1.3 纸箱: L=385,W=385,H=300
- 包装数量: 250PCS/卷, 10卷(2500PCS)/箱
- 上盖带拔离力: 0.1N~0.7N(10~70gf);
拔离角度: 165°~180°;
拔离速度: 300mm/分钟.



THIS DOCUMENT IS THE SOLE PROPERTY OF BBJconn Technology Co.,Ltd. Corporation AND SHOULD NOT BE USED IN WHOLE OR IN PART WITHOUT PRIOR WRITTEN PERMISSION.		深圳市步步精科技有限公司 DC座 DC-2.5针 全铜 直立式180° 三脚插 (DC550250-1077-20000H)	
APPD.	JM_Zheng 23/05/02	NAME:	PJ. NO.: DC.02.72-12-G005
CHKD.	LYX 23/05/02	SIZE:	A4 DRW NO.:
PDWG.NO:	0386-2	FINISH:	SEE NOTES
DR.	SGF 23/05/02	MAT'L.:	SEE NOTES
		SCALE:	N/A
		REV.:	A3
		UNIT:	mm
		PAGE:	1/1