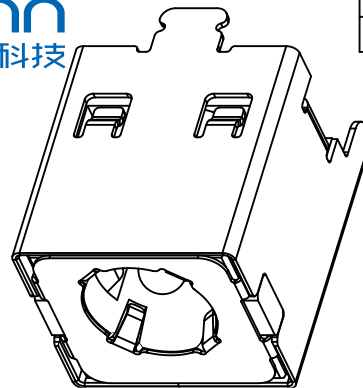
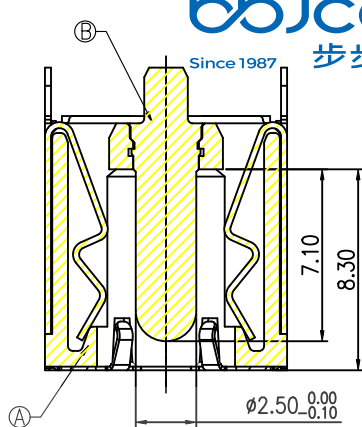
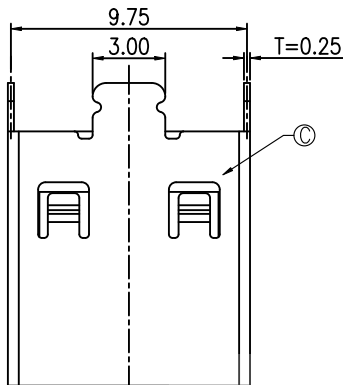


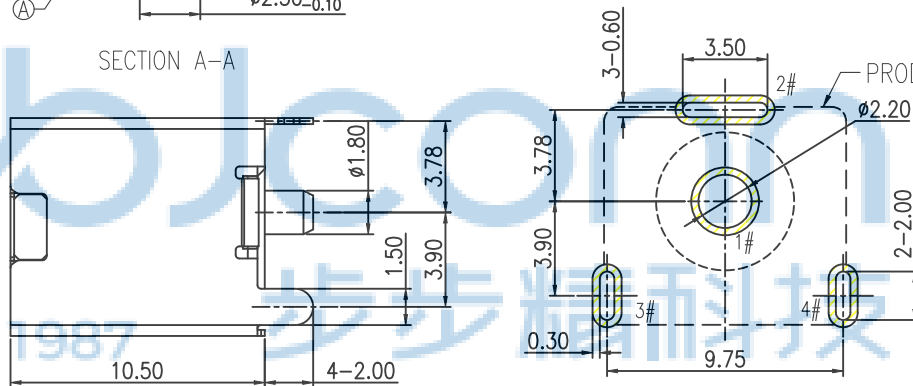
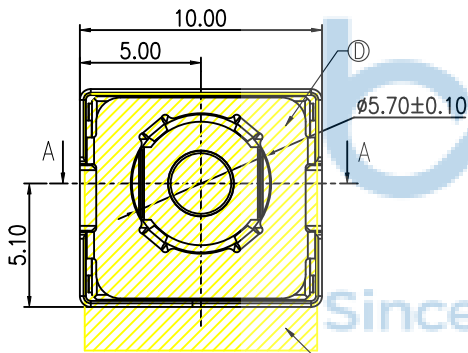
REV.	ECN NO.	CONTENT	DATE	ENGINEER
AO			2023 20/04	

SPECIFICATION:

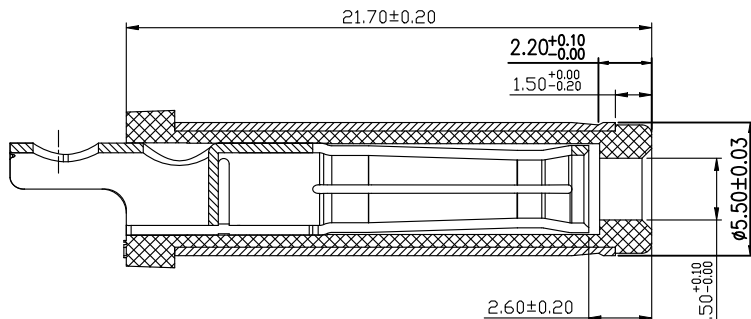
- RATING: DC 20V 20A
- CONTACT RESISTANCE:
30mΩ MAX.(INITIAL)
50mΩ MAX.(FINAL)
- INSULATION RESISTANCE: 100 MΩ MIN.
- WITHSTAND VOLTAGE: 500 VAC
- INSERTION FORCE: 3N~30N
- EXTRACTION FORCE: 3N~30N
- DURABILITY: 5,000 CYCLES



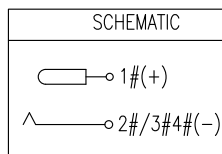
SECTION A-A



RECOMMENDED PCB LAYOUT
TOP VIEW TOLERANCE: ±0.05



MATING PLUG



NO.	DESCRIPTION	MATERIAL	REMARKS	QTY
E	MYLAR			1
D	GROUND	SUS 304		1
C	SHELL	COPPER ALLOY	Ni 40u" MIN.	1
B	CENTER PIN	BRASS	GOLD FLASH/Ni 40u" MIN.	1
A	HOUSING	HIGH TEMP.THERMOPLASTIC	BLACK	1

THIS DOCUMENT IS THE SOLE PROPERTY OF BBJconn Technology Co., Ltd. Corporation AND SHOULD NOT BE USED IN WHOLE OR IN PART WITHOUT PRIOR WRITTEN PERMISSION.

PDWG.NO: 0386-2

深圳市步步精科技有限公司

NAME: DC座 DC-2.5针 全铜 直立式180° 三脚插 (DC550250-1073-20000H)

APPD. JM_Zheng 23/05/02

CHKD. LYX 23/05/02

DR. SGF 23/05/02

PJ. NO.: DC.02.72-12-G001

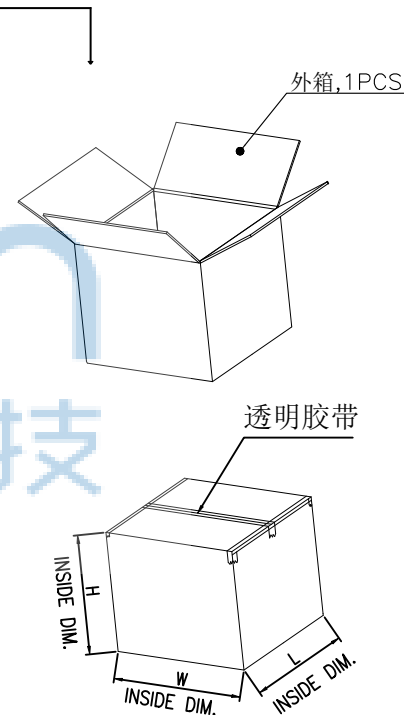
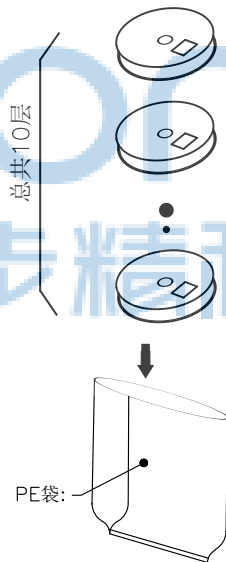
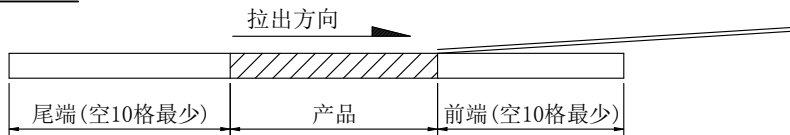
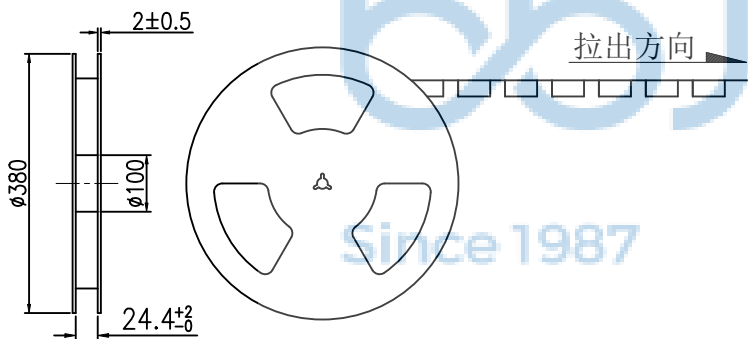
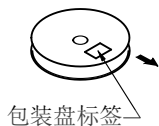
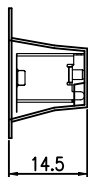
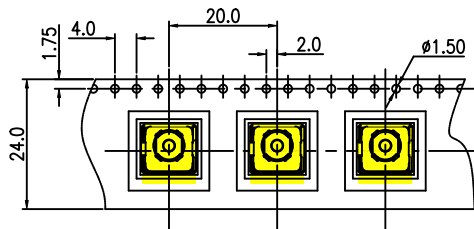
SIZE: A4 DRW NO.:

FINISH: SEE NOTES MAT'L: SEE NOTES

SCALE: N/A REV.: A3 UNIT: mm PAGE: 1/1

REV.	ECN NO.	CONTENT	DATE	ENGINEER
A0			2023 20/04	

拉出方向



备注:

- 材料规格:
 - 载带: T=0.50mm
 - 包装盘: 蓝色
 - 纸箱: L=385, W=385, H=300
- 包装数量:
 - 300PCS/卷, 10卷(3000PCS)/箱
- 上盖带剥离力: 0.1N~0.7N(10~70gf);
 剥离角度: 165°~180°;
 剥离速度: 300mm/分钟.



THIS DOCUMENT IS THE SOLE PROPERTY OF BBJconn Technology Co., Ltd. Corporation AND SHOULD NOT BE USED IN WHOLE OR IN PART WITHOUT PRIOR WRITTEN PERMISSION.		深圳市步步精科技有限公司	
PDWG.No: 0386-2	DR. SGF	.X: ±0.38 .XX: ±0.25 .XXX: ±0.13 X': ±3' X'': ±2' .XX': ±1'	NAME: DC座 DC-2.5针 全铜 直立式180° 三脚插 (DC550250-1073-20000H) APPD. JM_Zheng 23/05'02 CHKD. LYX 23/05'02 23/05'02
		PJ. NO.: DC_02.72-12-G001 SIZE: A4 DRW NO.: FINISH: SEE NOTES MAT'L: SEE NOTES SCALE: N/A REV.: A3 UNIT: mm PAGE: 1/1	