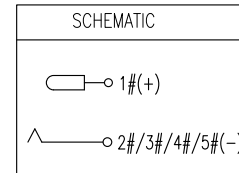
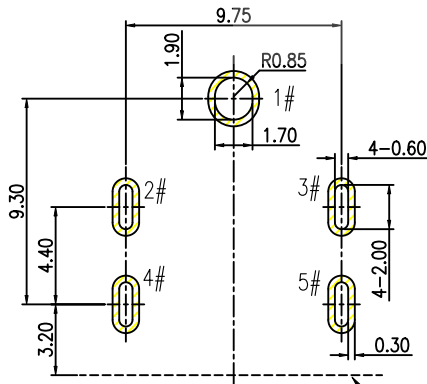
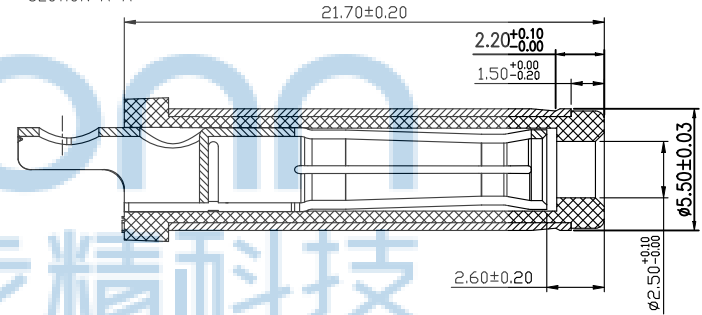
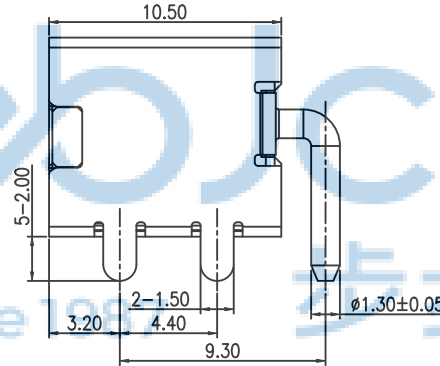
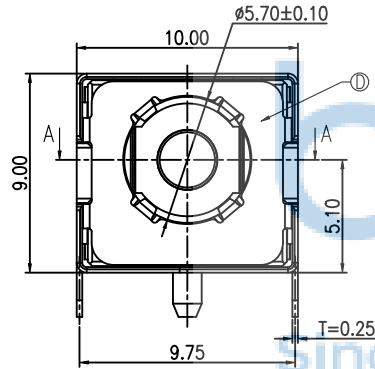
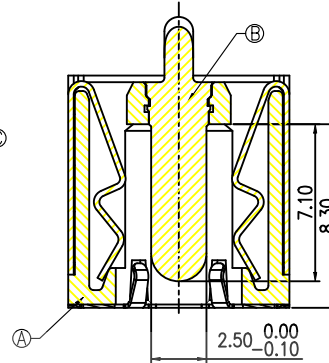
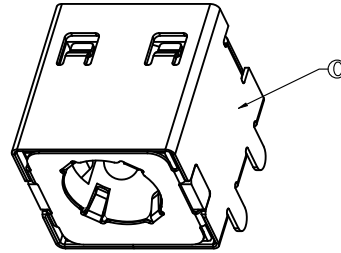
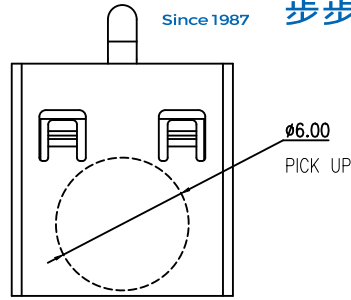


REV.	ECN NO	CONTENT	DATE	ENGINEER
AO			2023 20/04	

SPECIFICATION:

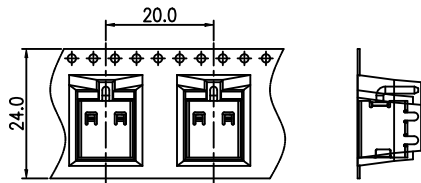
- RATING: DC 30V 12A
- CONTACT RESISTANCE:  
30m? MAX(INITIAL).  
50m? MAX(FINAL).
- INSULATION RESISTANCE: 100 M? MIN.
- WITHSTAND VOLTAGE: 500 VAC
- INSERTION FORCE: 30N MAX.
- EXTRACTION FORCE: 3N MIN.
- DURABILITY: 5,000 CYCLES



NO.	DESCRIPTION	MATERIAL	REMARKS	QTY
D	GROUND	SUS 304		1
C	SHELL	C5210	Ni 40u" MIN.	1
B	CENTER PIN	BRASS	GOLD FLASH /Ni 40u" MIN.	1
A	HOUSING	PA10T	BLACK	1

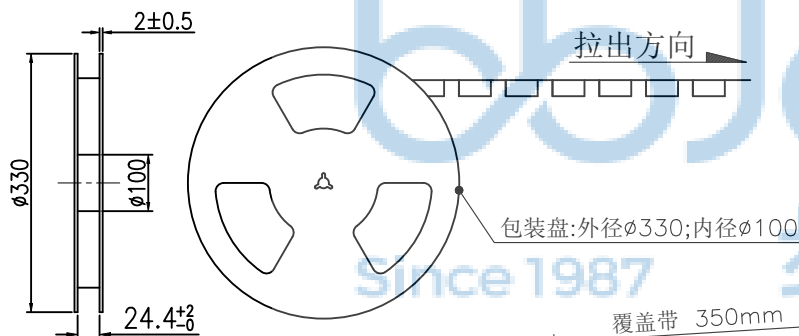
THIS DOCUMENT IS THE SOLE PROPERTY OF BBJconn Technology Co., Ltd. Corporation AND SHOULD NOT BE USED IN WHOLE OR IN PART WITHOUT PRIOR WRITTEN PERMISSION.		<b>深圳市步步精科技有限公司</b> 工程部 APPROVED	
APPD.	JM_Zheng 23/05/02	NAME:	DC座 DC-2.5针 全铜 卧式 四脚插 (DC550250-0991-20000H)
CHKD.	LYX 23/05/02	PJ. NO.:	DC.02.62-12-G013
PDWG.NO:	0386-2	SIZE:	A4 DRW NO.:
DR.	SGF 23/05/02	FINISH:	SEE NOTES
		MAT'L.:	SEE NOTES
		SCALE:	N/A
		REV.:	A3
		UNIT:	mm
		PAGE:	1/1

拉出方向



包装盘标签

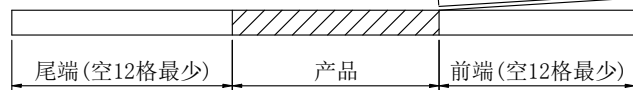
拉出方向



包装盘:外径 $\phi 330$ ;内径 $\phi 100$

覆盖带 350mm 最少.

拉出方向

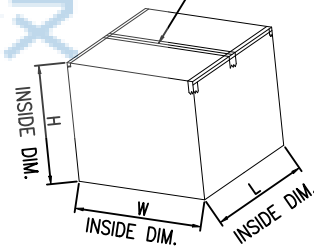


总共10层

PE袋:

外箱,1PCS

透明胶带



备注:

- 材料规格:
  - 1.1 载带:T=0.50mm
  - 1.2 包装盘:蓝色
  - 1.3 纸箱: L=335,W=335,H=300
- 包装数量:  
250PCS/卷, 10卷(2500PCS)/箱
- 上盖带拔离力: 0.1N~0.7N(10~70gf);  
拔离角度: 165°~180°;  
拔离速度: 300mm/分钟.



THIS DOCUMENT IS THE SOLE PROPERTY OF BBJconn Technology Co.,Ltd. Corporation AND SHOULD NOT BE USED IN WHOLE OR IN PART WITHOUT PRIOR WRITTEN PERMISSION.		PDWG.No: 0386-2		DR. SGF 23/05/02		深圳市步步精科技有限公司 NAME: DC座 DC-2.5针 全铜 卧式 四脚插 (DC550250-0991-20000H) PJ. NO.: DC.02.62-12-G013 SIZE: A4 DRW NO.: FINISH: SEE NOTES MAT'L: SEE NOTES SCALE: N/A REV.: A3 UNIT: mm PAGE: 1/1	
--	--	-----------------	--	------------------	--	--	--